

# TYPE 43, UHCD & HDC Series

查询"131697-1"供应商

751-352/364

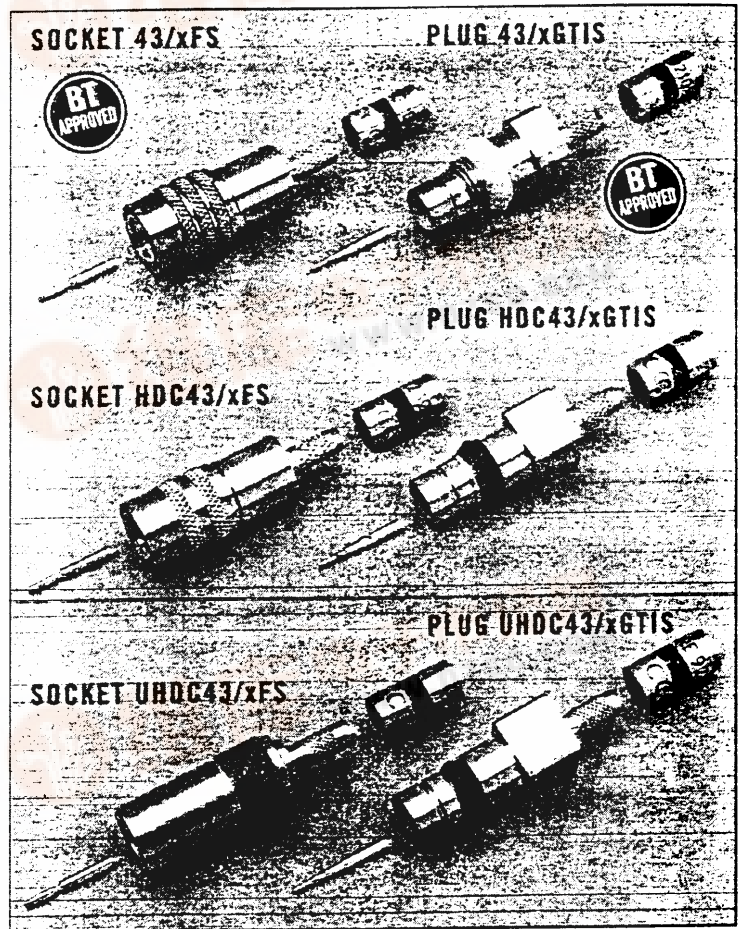
## Features

- 75 Ohm SMB compatible.
- Full crimp product.
- Fully compliant with, and exceeds the requirements of BS9210: F0022.
- New single piece design available providing reduced assembly time.
- Available for all standard telecom cables.
- Supplied in multipacks for easier use.

Type-43 connectors are widely used in telecommunication applications where compliance to BT standards is required. The latching versions ensure protection from accidental disconnection.

UHDC connectors have been solely developed by M/A-COM for use in new Cable Telephony applications where packing density is critical in reducing costs of ownership of DDF's. The system has been branded ULTRARACK.

The HDC connectors developed by M/A-COM include the U-Links required by users of DDF's. Associated tooling for extraction is also available.



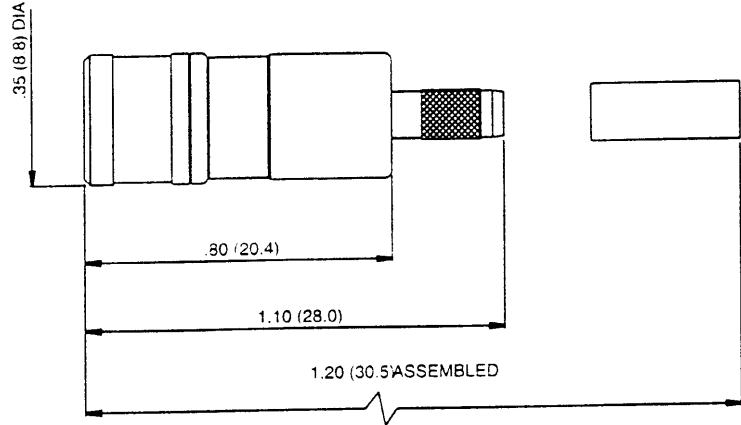
## Contents

Type 43 Series .....	157
UHDC43 (Ultrarack) Series .....	168
HDC43 Series .....	170

# TYPE 43 Series (75 ohm SMB)

查询"131697-1"供应商

## Straight Snap-On Socket



Cable Type	Cable Attachment		BT Reference	Part Number
	Inner	Outer		
BT2001	Solder	Crimp	Socket 43/1AS	B67 A53 T280 XMP
BT2002	Solder	Crimp	Socket 43/2AS	B67 A53 T117 XMP
BT2003	Solder	Crimp	Socket 43/3AS	B67 A53 T062 XMP
RG179	Solder	Crimp	Socket 43/4AS	B67 A53 T022 XMP
BT3002	Solder	Crimp	Socket 43/5AS	B67 A53 T437 XMP
RG59	Solder	Crimp		B67 A53 TA25 XMP
BT2001	Crimp	Crimp	Socket 43/1 ES	B67 A54 T280 XMP
BT2002	Crimp	Crimp	Socket 43/2ES	B67 A54 T117 XMP
BT2003	Crimp	Crimp	Socket 43/3ES	B67 A54 T062 XMP
RG179	Crimp	Crimp	Socket 43/4ES	B67 A54 T022 XMP
BT3002	Crimp	Crimp	Socket 43/5ES	B67 A54 T437 XMP
RG59	Crimp	Crimp		B67 A54 TA25 XMP

Dimensions are in decimal inches, metric equivalents (to the nearest 0.1 mm) are given in parenthesis for general information only.

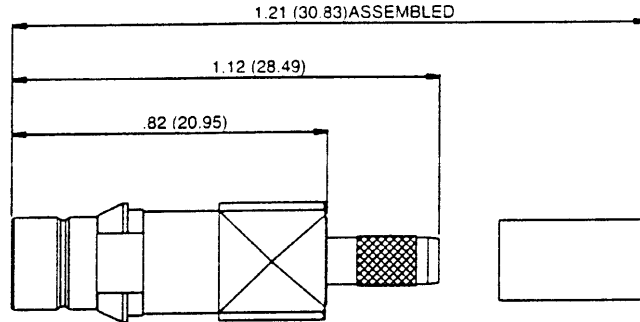
M/A-COM, Inc.

North America: Tel. (800) 366-2266 ■ Asia/Pacific: Tel. +81(03) 3226-1671 ■ Europe: Tel. +44 (1344) 869 5

# UHDC43 Series (ULTRARACK)

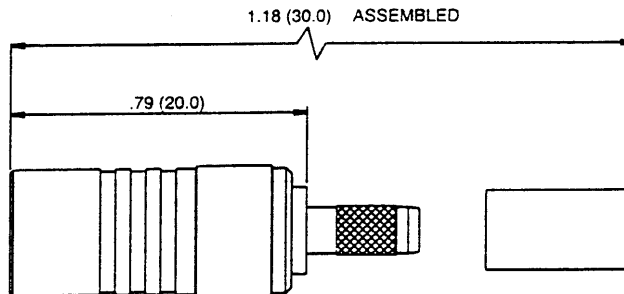
查询"1311697-1"供应商

## Straight DDF Plug



Cable Type	Cable Attachment		Description	Part Number
	Inner	Outer		
BT2003	Crimp	Crimp	Plug UHDC43/3GTIS	U67 H64 T062 XMP
RG179	Crimp	Crimp	Plug UHDC43/4GTIS	U67 H64 T022 XMP
BT3002	Crimp	Crimp	Plug UHDC43/5GTIS	U67 H64 T437 XMP

## Straight Latching Socket



Cable Type	Cable Attachment		Description	Part Number
	Inner	Outer		
BT2003	Crimp	Crimp	Socket UHDC43/3FS	U67 A64 T062 XMP
RG179	Crimp	Crimp	Socket UHDC43/4FS	U67 A64 T022 XMP
BT3002	Crimp	Crimp	Socket UHDC43/5FS	U67 A64 T437 XMP

Dimensions are in decimal inches, metric equivalents (to the nearest 0.1 mm) are given in parenthesis for general information only.

M/A-COM, Inc.

North America: Tel. (800) 366-2266 ■ Asia/Pacific: Tel. +81(03) 3226-1671 ■ Europe: Tel. +44 (1344) 869 595