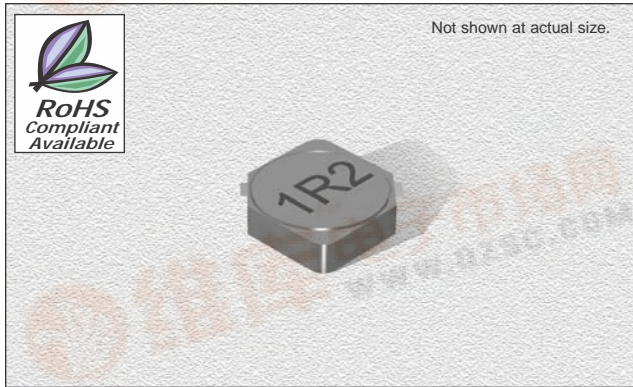


查询"CTCDRH4D28E-271N"供应商

## CTCDRH4D28 Series

From 1.2  $\mu\text{H}$  to 390  $\mu\text{H}$



### CHARACTERISTICS

**Description:** SMD (shielded) power inductor

**Applications:** Power supplies for VTR, OA equipment, LCD televisions, PC notebooks, portable communication equipment, DC/DC converters, etc.

**Operating Temperature:** -30°C to +100°C

**Inductance Tolerance:**  $\pm 30\%$

**Testing:** Tested on a HP4285A at specified frequency

**Packaging:** Tape & Reel

**Marking:** Parts are marked with inductance code

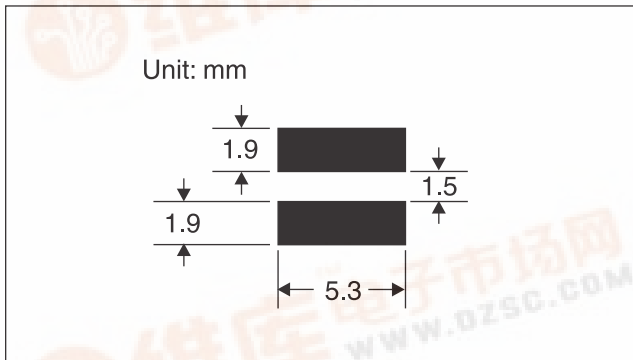
**Rated DC Current:** Indicates the current when the inductance decreases to 65% more than its nominal value and temperature rising  $\Delta T=40^\circ\text{C}$  lower at D.C. superposition.

**Miscellaneous:** RoHS Compliant available

**Additional Information:** Additional electrical & physical information available upon request

**Samples available. See website for ordering information.**

### PAD LAYOUT



### SPECIFICATIONS

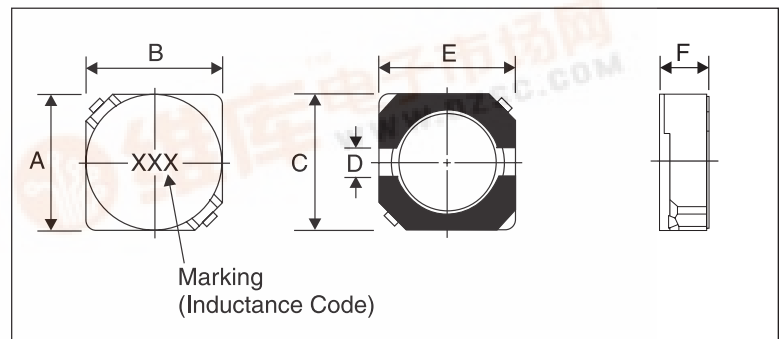
Parts are available in  $\pm 30\%$  tolerance only.

CTCDRH4D28E Please specify "F" for RoHS Compliant

Part Number	Inductance @ 0.25Vrms,0Adc ( $\mu\text{H} \pm 30\%$ )	L Test Freq. (kHz)	DCR Max. (m $\Omega$ )	Rated DC Current (A)
CTCDRH4D28_-1R2N	1.2	100	23.6	2.56
CTCDRH4D28_-1R8N	1.8	100	27.5	2.20
CTCDRH4D28_-2R2N	2.2	100	31.3	2.04
CTCDRH4D28_-2R7N	2.7	100	43.3	1.60
CTCDRH4D28_-3R3N	3.3	100	49.2	1.57
CTCDRH4D28_-3R9N	3.9	100	64.8	1.44
CTCDRH4D28_-4R7N	4.7	100	72.0	1.32
CTCDRH4D28_-5R6N	5.6	100	100.9	1.17
CTCDRH4D28_-6R8N	6.8	100	108.9	1.12
CTCDRH4D28_-8R2N	8.2	100	117.5	1.04
CTCDRH4D28_-100N	10	100	128.5	1.00
CTCDRH4D28_-120N	12	100	131.6	0.84
CTCDRH4D28_-150N	15	100	149.0	0.76
CTCDRH4D28_-180N	18	100	166.0	0.72
CTCDRH4D28_-220N	22	100	235.0	0.70
CTCDRH4D28_-270N	27	100	261.0	0.58
CTCDRH4D28_-330N	33	100	378.0	0.56
CTCDRH4D28_-390N	39	100	383.7	0.50
CTCDRH4D28_-470N	47	100	587.0	0.48
CTCDRH4D28_-560N	56	100	624.5	0.41
CTCDRH4D28_-680N	68	100	699.0	0.35
CTCDRH4D28_-820N	82	100	914.8	0.32
CTCDRH4D28_-101N	100	100	1020.0	0.29
CTCDRH4D28_-121N	120	100	1270.0	0.27
CTCDRH4D28_-151N	150	100	1350.0	0.24
CTCDRH4D28_-181N	180	100	1540.0	0.22
CTCDRH4D28_-221N	220	100	1720.0	0.22
CTCDRH4D28_-271N	270	100	1950.0	0.16
CTCDRH4D28_-331N	330	100	2660.0	0.14
CTCDRH4D28_-391N	390	100	2830.0	0.13

### PHYSICAL DIMENSIONS

Size	A	B	C	D	E	F
mm	4.7 $\pm$ 0.3	4.7 $\pm$ 0.3	4.5	1.5	4.5	3.0
inches	0.19 $\pm$ 0.01	0.19 $\pm$ 0.01	0.177	0.06	0.177	0.12



12.05.05

Manufacturer of Inductors, Chokes, Coils, Beads, Transformers & Toroids

800-684-5322 Inside US 949-453-1811 Outside US

Copyright © 2005 by CT Magnetics, DBA Central Technologies. All rights reserved.

CT Magnetics reserves the right to make improvements or change specifications without notice

