



June 1997  
Revised April 1999

## 74VHCT138A 3-to-8 Decoder/Demultiplexer

### General Description

The VHCT138A is an advanced high speed CMOS 3-to-8 DECODER fabricated with silicon gate CMOS technology. It achieves the high speed operation similar to equivalent Bipolar Schottky TTL while maintaining the CMOS low power dissipation.

When the device is enabled, 3 Binary Select inputs ( $A_0$ ,  $A_1$  and  $A_2$ ) determine which one of the outputs ( $\overline{O}_0$ – $\overline{O}_7$ ) will go LOW. When enable input  $E_3$  is held LOW or either  $\overline{E}_1$  or  $\overline{E}_2$  is held HIGH, decoding function is inhibited and all outputs go HIGH.  $E_3$ ,  $\overline{E}_1$  and  $\overline{E}_2$  inputs are provided to ease cascade connection and for use as an address decoder for memory systems. Protection circuits ensure that 0V to 7V can be applied to the input pins without regard to the sup-

ply voltage and to the output pins with  $V_{CC} = 0V$ . These circuits prevent device destruction due to mismatched supply and input/output voltages. This device can be used to interface 3V to 5V systems and two supply systems such as battery backup.

### Features

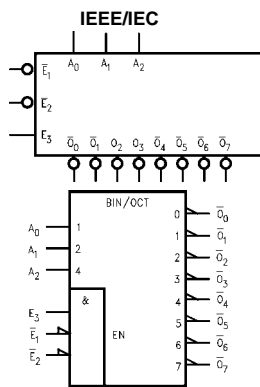
- High Speed:  $t_{PD} = 7.6$  ns (typ) at  $V_{CC} = 5V$
- Low power dissipation:  $I_{CC} = 4 \mu A$  (max.) at  $T_A = 25^\circ C$
- Power down protection is provided on all inputs and outputs
- Pin and function compatible with 74HCT138

### Ordering Code:

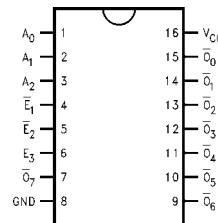
Order Number	Package Number	Package Description
74VHCT138AM	M16A	16-Lead Small Outline Integrated Circuit (SOIC), JEDEC MS-012, 0.150 Narrow
74VHCT138ASJ	M16D	16-Lead Small Outline Package (SOP), EIAJ TYPE II, 5.3mm Wide
74VHCT138AMTC	MTC16	16-Lead Thin Shrink Small Outline Package (TSSOP), JEDEC MO-153, 4.4mm Wide
74VHCT138AN	N16E	16-Lead Plastic Dual-In-Line Package (PDIP), JEDEC MS-001, 0.300 Wide

Surface mount packages are also available on Tape and Reel. Specify by appending the suffix letter "X" to the ordering code.

### Logic Symbols



### Connection Diagram



### Pin Descriptions

Pin Names	Description
$A_0$ – $A_2$	Address Inputs
$\overline{E}_1$ – $\overline{E}_2$	Enable Inputs
$E_3$	Enable Input
$\overline{O}_0$ – $\overline{O}_7$	Outputs

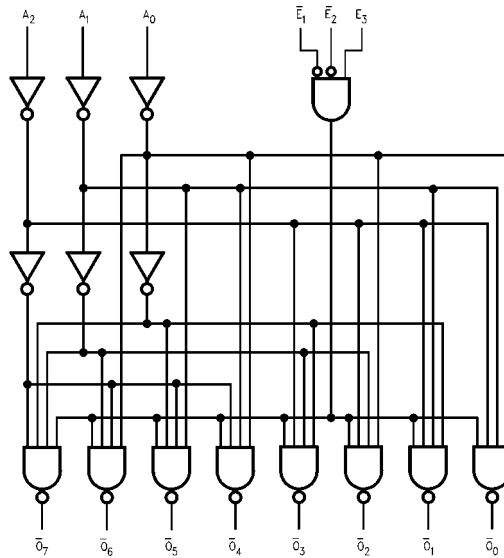
74VHCT138A

Truth Table

Inputs						Outputs							
$\bar{E}_1$	$\bar{E}_2$	$E_3$	$A_0$	$A_1$	$A_2$	$\bar{O}_0$	$\bar{O}_1$	$\bar{O}_2$	$\bar{O}_3$	$\bar{O}_4$	$\bar{O}_5$	$\bar{O}_6$	$\bar{O}_7$
H	X	X	X	X	X	H	H	H	H	H	H	H	H
X	H	X	X	X	X	H	H	H	H	H	H	H	H
X	X	L	X	X	X	H	H	H	H	H	H	H	H
L	L	H	L	L	L	L	H	H	H	H	H	H	H
L	L	H	H	L	L	H	L	H	H	H	H	H	H
L	L	H	L	H	L	H	H	L	H	H	H	H	H
L	L	H	H	H	L	H	H	H	L	H	H	H	H
L	L	H	L	L	H	H	H	H	H	L	H	H	H
L	L	H	H	L	H	H	H	H	H	H	L	H	H
L	L	H	L	H	H	H	H	H	H	H	H	L	H
L	L	H	H	H	H	H	H	H	H	H	H	H	L

H = HIGH Voltage Level  
 L = LOW Voltage Level  
 X = Immaterial

Logic Diagram



Please note that this diagram is provided only for the understanding of logic operations and should not be used to estimate propagation delays.

Absolute Maximum Ratings (Note 1)			Recommended Operating Conditions (Note 5)		
Supply Voltage ( $V_{CC}$ )	-0.5V to +7.0V		Supply Voltage ( $V_{CC}$ )	4.5V to +5.5V	
DC Input Voltage ( $V_{IN}$ )	-0.5V to +7.0V		Input Voltage ( $V_{IN}$ )	0V to +5.5V	
DC Output Voltage ( $V_{OUT}$ ) (Note 2)	-0.5V to 7.0V		Output Voltage ( $V_{OUT}$ ) (Note 3)	0V to $V_{CC}$	
(Note 3)	-0.5V to $V_{CC} + 0.5V$		(Note 2)	0V to 5.5V	
Input Diode Current ( $I_{IK}$ )	-20 mA		Operating Temperature ( $T_{OPR}$ )	-40°C to +85°C	
Output Diode Current ( $I_{OK}$ ) (Note 4)	±20 mA		Input Rise and Fall Time ( $t_r, t_f$ )		
DC Output Current ( $I_{OUT}$ )	±25 mA		$V_{CC} = 5.0V \pm 0.5V$	0 – 20 ns/V	
DC $V_{CC}$ /GND Current ( $I_{CC}$ )	±75 mA		<b>Note 1:</b> Absolute Maximum Ratings are values beyond which the device may be damaged or have its useful life impaired. The databook specifications should be met, without exception, to ensure that the system design is reliable over its power supply, temperature, and output/input loading variables. Fairchild does not recommend operation outside databook specifications.		
Storage Temperature ( $T_{STG}$ )	-65°C to +150°C		<b>Note 2:</b> $V_{CC} = 0V$ .		
Lead Temperature ( $T_L$ ) (Soldering, 10 seconds)	260°C		<b>Note 3:</b> HIGH or LOW state. $I_{OUT}$ absolute maximum rating must be observed.		
			<b>Note 4:</b> $V_{OUT} < GND, V_{OUT} > V_{CC}$ (Outputs Active).		
			<b>Note 5:</b> Unused inputs must be held HIGH or LOW. They may not float.		

DC Electrical Characteristics									
Symbol	Parameter	$V_{CC}$ (V)	$T_A = 25^\circ C$			$T_A = -40^\circ C$ to $+85^\circ C$		Units	Conditions
			Min	Typ	Max	Min	Max		
$V_{IH}$	HIGH Level Input Voltage	4.5 – 5.5	2.0			2.0		V	
$V_{IL}$	LOW Level Input Voltage	4.5 – 5.5			0.8		0.8	V	
$V_{OH}$	HIGH Level Output Voltage	4.5	4.4	4.5		4.4		V	$V_{IN} = V_{IH}$ or $V_{IL}$ $I_{OH} = -50 \mu A$ $I_{OH} = -8 \text{ mA}$
		4.5	3.94			3.80			
$V_{OL}$	LOW Level Output Voltage	4.5		0.0	0.1		0.1	V	$V_{IN} = V_{IH}$ or $V_{IL}$ $I_{OL} = 50 \mu A$ $I_{OL} = 8 \text{ mA}$
		4.5			0.36		0.44		
$I_{IN}$	Input Leakage Current	0 – 5.5			±0.1		±1.0	$\mu A$	$V_{IN} = 5.5V$ or GND
$I_{CC}$	Quiescent Supply Current	5.5			4.0		20.0	$\mu A$	$V_{IN} = V_{CC}$ or GND
$I_{CCT}$	Maximum $I_{CC}/Input$	5.5			1.35		1.50	mA	$V_{in} = 3.4V$ other inputs = $V_{CC}$ or GND
$I_{OFF}$	Output Leakage Current	0			0.5		5.0	$\mu A$	$V_{OUT} = 5.5V$

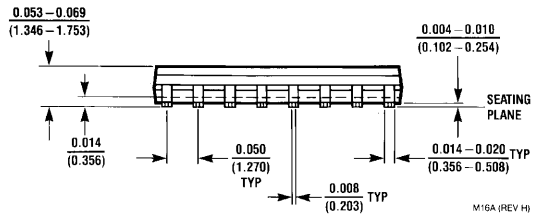
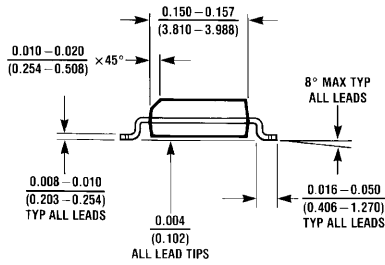
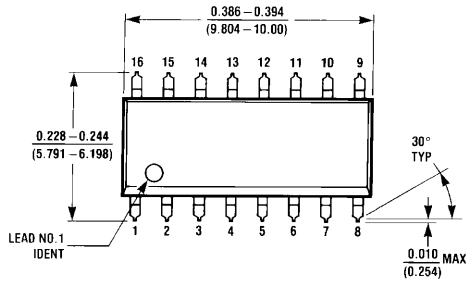
  

AC Electrical Characteristics									
Symbol	Parameter	$V_{CC}$ (V)	$T_A = 25^\circ C$			$T_A = -40^\circ C$ to $+85^\circ C$		Units	Conditions
			Min	Typ	Max	Min	Max		
$t_{PLH}$	Propagation Delay $A_n$ to $\bar{O}_n$	5.0 ± 0.5		7.6	10.4	1.0	12.0	ns	$C_L = 15 \text{ pF}$
$t_{PHL}$				8.1	11.4	1.0	13.0		$C_L = 50 \text{ pF}$
$t_{PLH}$	Propagation Delay $E_3$ to $\bar{O}_n$	5.0 ± 0.5		6.6	9.1	1.0	10.5	ns	$C_L = 15 \text{ pF}$
$t_{PHL}$				7.1	10.1	1.0	11.5		$C_L = 50 \text{ pF}$
$t_{PLH}$	Propagation Delay $\bar{E}_1$ or $\bar{E}_2$ to $\bar{O}_n$	5.0 ± 0.5		7.0	9.6	1.0	11.0	ns	$C_L = 15 \text{ pF}$
$t_{PHL}$				7.5	10.6	1.0	12.0		$C_L = 50 \text{ pF}$
$C_{IN}$	Input Capacitance			4	10		10	pF	$V_{CC} = \text{Open}$
$C_{PD}$	Power Dissipation Capacitance			49				pF	(Note 6)

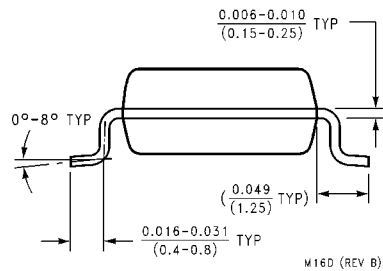
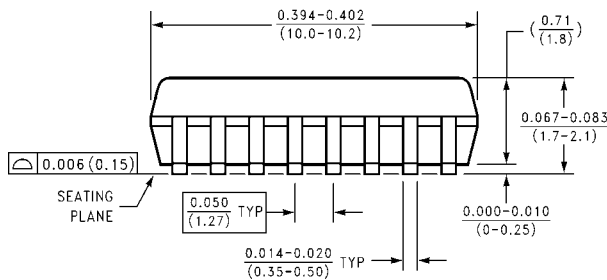
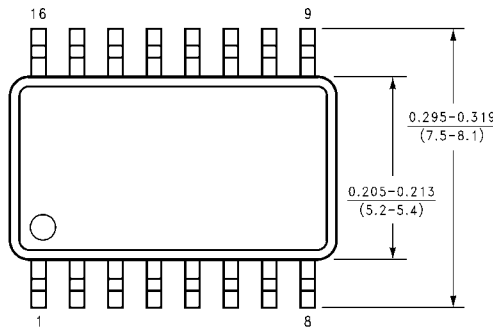
**Note 6:**  $C_{PD}$  is defined as the value of the internal equivalent capacitance which is calculated from the operating current consumption without load. Average operating current can be obtained by the equation:  $I_{CC} (opr) = C_{PD} * V_{CC} * f_{IN} + I_{CC}$ .

74VHCT138A

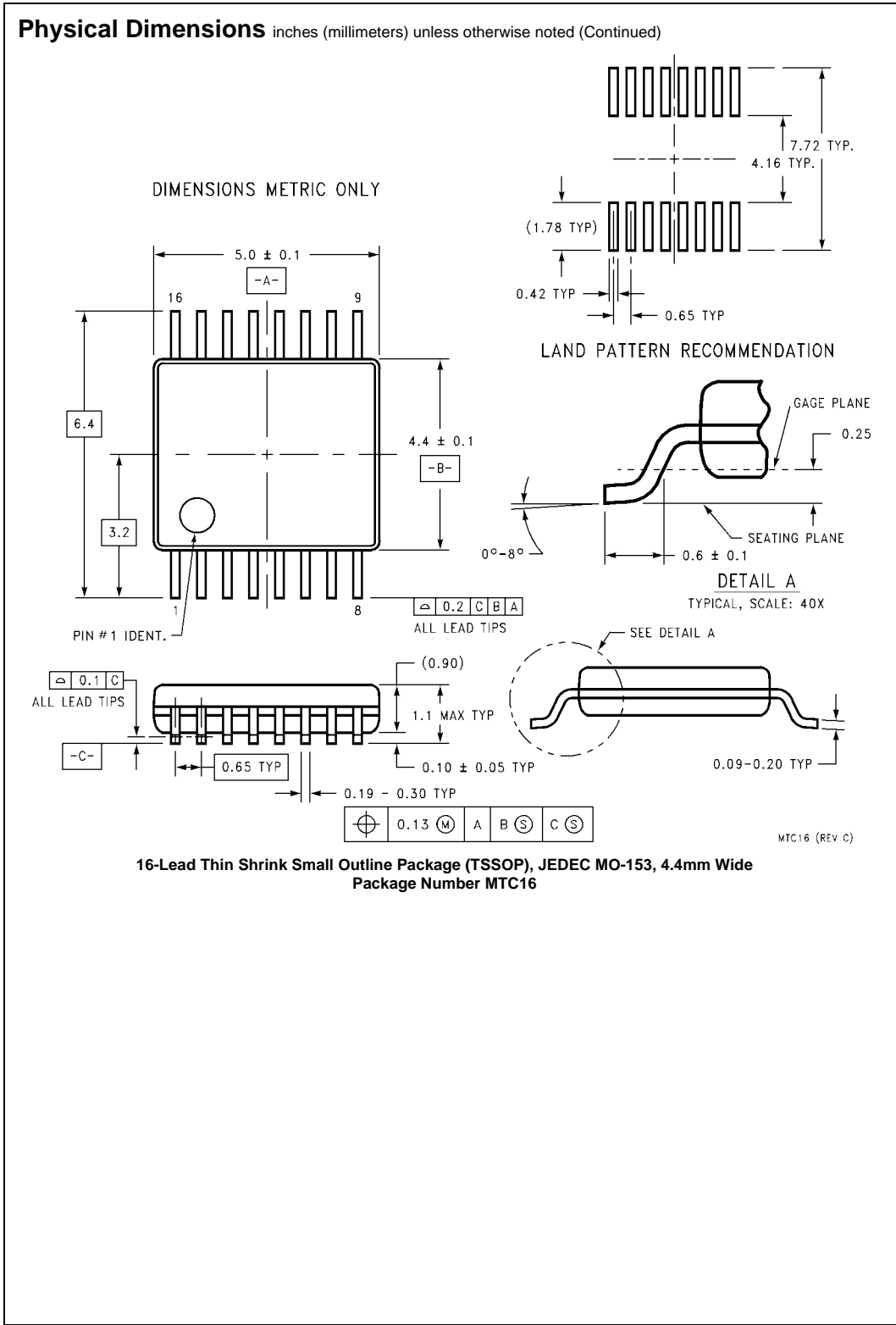
**Physical Dimensions** inches (millimeters) unless otherwise noted

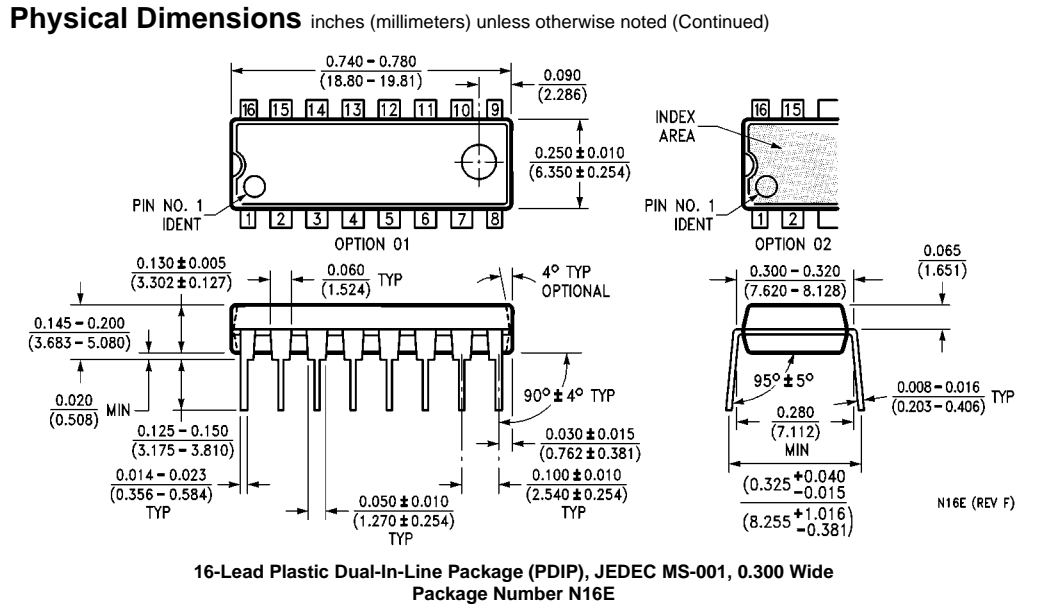


**16-Lead Small Outline Integrated Circuit (SOIC), JEDEC MS-012, 0.150 Narrow  
Package Number M16A**



**16-Lead Small Outline Package (SOP), EIAJ TYPE II, 5.3mm Wide  
Package Number M16D**





**LIFE SUPPORT POLICY**

FAIRCHILD'S PRODUCTS ARE NOT AUTHORIZED FOR USE AS CRITICAL COMPONENTS IN LIFE SUPPORT DEVICES OR SYSTEMS WITHOUT THE EXPRESS WRITTEN APPROVAL OF THE PRESIDENT OF FAIRCHILD SEMICONDUCTOR CORPORATION. As used herein:

1. Life support devices or systems are devices or systems which, (a) are intended for surgical implant into the body, or (b) support or sustain life, and (c) whose failure to perform when properly used in accordance with instructions for use provided in the labeling, can be reasonably expected to result in a significant injury to the user.
2. A critical component in any component of a life support device or system whose failure to perform can be reasonably expected to cause the failure of the life support device or system, or to affect its safety or effectiveness.

[www.fairchildsemi.com](http://www.fairchildsemi.com)