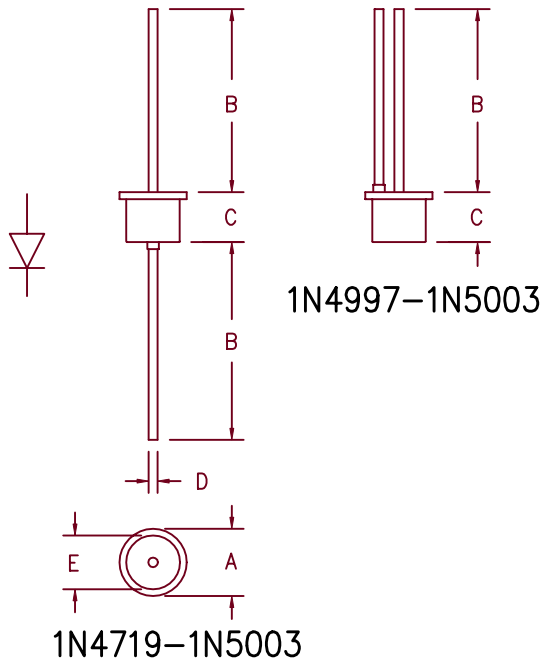


# Silicon Rectifiers

1N4719-1N4725, 1N4997-1N5003



Dim.	Inches		Millimeter		Notes
	Minimum	Maximum	Minimum	Maximum	
A	---	.450	---	11.43	Dia.
B	.980	---	24.89	---	
C	---	.300	---	7.62	
D	.046	.056	1.17	1.42	Dia.
E	---	.350	---	8.89	Dia.

Microsemi  
Catalog Number

1N4719, 1N4997  
1N4720, 1N4998  
1N4721, 1N4999  
1N4722, 1N5000  
1N4723, 1N5001  
1N4724, 1N5002  
1N4725, 1N5003

Peak Reverse  
Voltage

50V  
100V  
200V  
400V  
600V  
800V  
1000V

- High Surge Capability
- 175°C Junction Temperature
- VRRM 50 to 1000 Volts
- 3 Amp Current Rating
- Hermetically Sealed

## Electrical Characteristics

Average forward current  
Maximum surge current  
Max peak forward voltage  
Max peak reverse current

$I_F(AV)$  3.0 Amps  
 $I_{FSM}$  300 Amps  
 $V_{FM}$  1.0 Volts  
 $I_{RM}$  25  $\mu A$

$T_A = 119^\circ C$ , Square wave,  $R_{\theta JL} = 12^\circ C/W$ ,  $L = 1/4"$   
8.3ms, half sine,  $T_J = 175^\circ C$   
 $I_{FM} = 3.0A$ ;  $T_J = 25^\circ C^*$   
 $V_{RRM}, T_J = 25^\circ C$

\*Pulse test: Pulse width 300  $\mu sec$ , Duty cycle 2%

## Thermal and Mechanical Characteristics

Storage temperature range  
Operating junction temp range  
Maximum thermal resistance  
Weight

$T_{STG}$   
 $T_J$   
 $L = 1/4"$   $R_{\theta JL}$

$-65^\circ C$  to  $175^\circ C$   
 $-65^\circ C$  to  $175^\circ C$   
 $12^\circ C/W$  Junction to Lead  
.08 ounces (2.3 grams) typical

11-13-00 Rev. 1

# 1N4719-1N4725, 1N4997-1N5003

[查询"1N4997"供应商](#)

Figure 1  
Typical Forward Characteristics

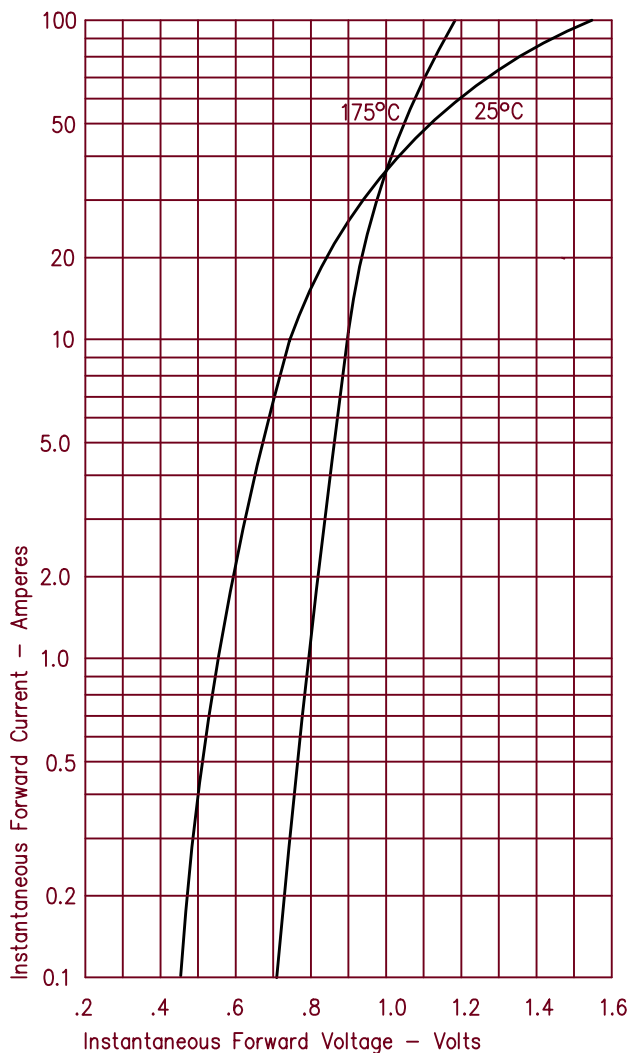


Figure 3  
Forward Current Derating

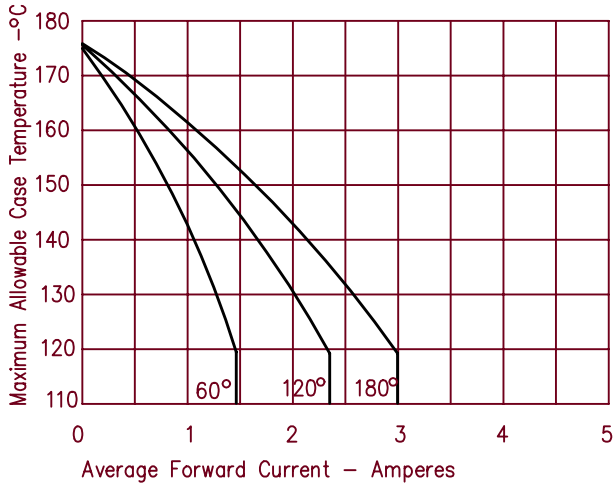


Figure 2  
Typical Reverse Characteristics

