

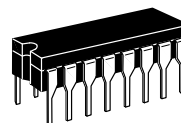
[查询"MC14536BCL"供应商](#)

# MC14536B

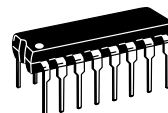
## Programmable Timer

The MC14536B programmable timer is a 24-stage binary ripple counter with 16 stages selectable by a binary code. Provisions for an on-chip RC oscillator or an external clock are provided. An on-chip monostable circuit incorporating a pulse-type output has been included. By selecting the appropriate counter stage in conjunction with the appropriate input clock frequency, a variety of timing can be achieved.

- 24 Flip-Flop Stages — Will Count From  $2^0$  to  $2^{24}$
- Last 16 Stages Selectable By Four-Bit Select Code
- 8-Bypass Input Allows Bypassing of First Eight Stages
- Set and Reset Inputs
- Clock Inhibit and Oscillator Inhibit Inputs
- On-Chip RC Oscillator Provisions
- On-Chip Monostable Output Provisions
- Clock Conditioning Circuit Permits Operation With Very Long Rise and Fall Times
- Test Mode Allows Fast Test Sequence
- Supply Voltage Range = 3.0 Vdc to 18 Vdc
- Capable of Driving Two Low-power TTL Loads or One Low-power Schottky TTL Load Over the Rated Temperature Range



**L SUFFIX**  
CERAMIC  
CASE 620



**P SUFFIX**  
PLASTIC  
CASE 648



**DW SUFFIX**  
SOIC  
CASE 751G

### ORDERING INFORMATION

MC14XXXBCP Plastic  
MC14XXXBCL Ceramic  
MC14XXXBDW SOIC

$T_A = -55^\circ$  to  $125^\circ\text{C}$  for all packages.

### MAXIMUM RATINGS\* (Voltages Referenced to $V_{SS}$ )

| Symbol            | Parameter  | Value                   | Unit             |
|-------------------|--|-------------------------|------------------|
| $V_{DD}$          | DC Supply Voltage                                  | - 0.5 to + 18.0         | V                |
| $V_{in}, V_{out}$ | Input or Output Voltage (DC or Transient)          | - 0.5 to $V_{DD} + 0.5$ | V                |
| $I_{in}, I_{out}$ | Input or Output Current (DC or Transient), per Pin | $\pm 10$                | mA               |
| $P_D$             | Power Dissipation, per Package†                    | 500                     | mW               |
| $T_{stg}$         | Storage Temperature                                | - 65 to + 150           | $^\circ\text{C}$ |
| $T_L$             | Lead Temperature (8-Second Soldering)              | 260                     | $^\circ\text{C}$ |

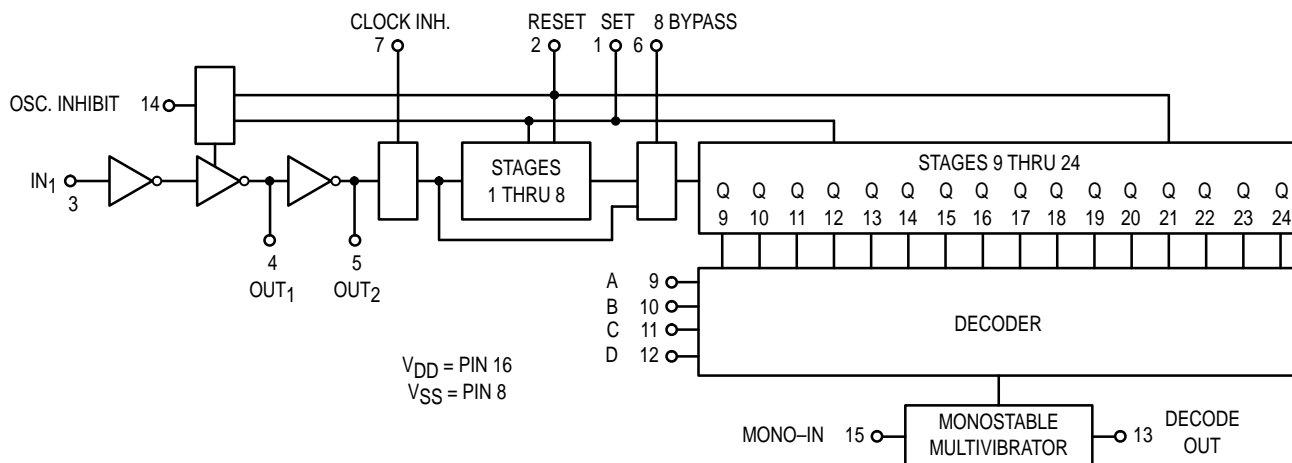
\* Maximum Ratings are those values beyond which damage to the device may occur.

† Temperature Derating:

Plastic "P and D/DW" Packages: - 7.0 mW/ $^\circ\text{C}$  From  $65^\circ\text{C}$  To  $125^\circ\text{C}$

Ceramic "L" Packages: - 12 mW/ $^\circ\text{C}$  From  $100^\circ\text{C}$  To  $125^\circ\text{C}$

### BLOCK DIAGRAM



**ELECTRICAL CHARACTERISTICS** (Voltages Referenced to V<sub>SS</sub>)

| Characteristic  | Symbol                                     | V <sub>DD</sub><br>Vdc | -55°C  |      | 25°C  |       |          | 125°C |      | Unit |      |
|---|--|------------------------|--|------|-------|-------|----------|-------|------|------|------|
|   |  |                        | Min  | Max  | Min   | Typ # | Max      | Min   | Max  |      |      |
| Output Voltage<br>V <sub>in</sub> = V <sub>DD</sub> or 0<br><br>V <sub>in</sub> = 0 or V <sub>DD</sub>  | “0” Level<br>V <sub>OL</sub>               | 5.0                    | —  | 0.05 | —     | 0     | 0.05     | —     | 0.05 | Vdc  |      |
|   |  | 10                     | —  | 0.05 | —     | 0     | 0.05     | —     | 0.05 |      |      |
|   |  | 15                     | —  | 0.05 | —     | 0     | 0.05     | —     | 0.05 |      |      |
|   | “1” Level<br>V <sub>OH</sub>               | 5.0                    | 4.95   | —    | 4.95  | 5.0   | —        | 4.95  | —    |      | Vdc  |
|   |  | 10                     | 9.95   | —    | 9.95  | 10    | —        | 9.95  | —    |      |      |
|   |  | 15                     | 14.95  | —    | 14.95 | 15    | —        | 14.95 | —    |      |      |
| Input Voltage<br>“0” Level<br>(V <sub>O</sub> = 4.5 or 0.5 Vdc)<br>(V <sub>O</sub> = 9.0 or 1.0 Vdc)<br>(V <sub>O</sub> = 13.5 or 1.5 Vdc)<br><br>“1” Level<br>(V <sub>O</sub> = 0.5 or 4.5 Vdc)<br>(V <sub>O</sub> = 1.0 or 9.0 Vdc)<br>(V <sub>O</sub> = 1.5 or 13.5 Vdc) | V <sub>IL</sub>                            | 5.0                    | —  | 1.5  | —     | 2.25  | 1.5      | —     | 1.5  | Vdc  |      |
|   |  | 10                     | —  | 3.0  | —     | 4.50  | 3.0      | —     | 3.0  |      |      |
|   |  | 15                     | —  | 4.0  | —     | 6.75  | 4.0      | —     | 4.0  |      |      |
|   | V <sub>IH</sub>                            | 5.0                    | 3.5  | —    | 3.5   | 2.75  | —        | 3.5   | —    |      | Vdc  |
|   |  | 10                     | 7.0  | —    | 7.0   | 5.50  | —        | 7.0   | —    |      |      |
|   |  | 15                     | 11   | —    | 11    | 8.25  | —        | 11    | —    |      |      |
| Output Drive Current<br>Source<br>Pins 4 & 5<br><br>Source<br>Pin 13<br><br>Sink  | I <sub>OH</sub>                            | 5.0                    | -1.2   | —    | -1.0  | -1.7  | —        | -0.7  | —    | mAdc |      |
|   |  | 5.0                    | -0.25  | —    | -0.25 | -0.36 | —        | -0.14 | —    |      |      |
|   |  | 10                     | -0.62  | —    | -0.5  | -0.9  | —        | -0.35 | —    |      |      |
|   |  | 15                     | -1.8   | —    | -1.5  | -3.5  | —        | -1.1  | —    |      |      |
|   | I <sub>OL</sub>                            | 5.0                    | -3.0   | —    | -2.4  | -4.2  | —        | -1.7  | —    | mAdc |      |
|   |  | 5.0                    | -0.64  | —    | -0.51 | -0.88 | —        | -0.36 | —    |      |      |
|   |  | 10                     | -1.6   | —    | -1.3  | -2.25 | —        | -0.9  | —    |      |      |
|   |  | 15                     | -4.2   | —    | -3.4  | -8.8  | —        | -2.4  | —    |      |      |
|   | Input Current                              | I <sub>in</sub>        | 15   | —    | ±0.1  | —     | ±0.00001 | ±0.1  | —    | ±1.0 | μAdc |
|   |  |                        | 10   | —    | —     | —     | —        | —     | —    | —    |      |
|   |  |                        | 5.0  | —    | —     | —     | —        | —     | —    | —    |      |
|   | Input Capacitance<br>(V <sub>in</sub> = 0) | C <sub>in</sub>        | —  | —    | —     | —     | 5.0      | 7.5   | —    | —    | pF   |
| —   |  |                        | —  | —    | —     | —     | —        | —     | —    |      |      |
| —   |  |                        | —  | —    | —     | —     | —        | —     | —    |      |      |
| Quiescent Current<br>(Per Package)  | I <sub>DD</sub>                            | 5.0                    | —  | 5.0  | —     | 0.010 | 5.0      | —     | 150  | μAdc |      |
|   |  | 10                     | —  | 10   | —     | 0.020 | 10       | —     | 300  |      |      |
|   |  | 15                     | —  | 20   | —     | 0.030 | 20       | —     | 600  |      |      |
| Total Supply Current**†<br>(Dynamic plus Quiescent,<br>Per Package)<br>(C <sub>L</sub> = 50 pF on all outputs, all<br>buffers switching)  | I <sub>T</sub>                             | 5.0                    | I <sub>T</sub> = (1.50 μA/kHz) f + I <sub>DD</sub> |      |       |       |          |       |      | μAdc |      |
|   |  | 10                     | I <sub>T</sub> = (2.30 μA/kHz) f + I <sub>DD</sub> |      |       |       |          |       |      |      |      |
|   |  | 15                     | I <sub>T</sub> = (3.55 μA/kHz) f + I <sub>DD</sub> |      |       |       |          |       |      |      |      |

#Data labelled “Typ” is not to be used for design purposes but is intended as an indication of the IC’s potential performance.

\*\*The formulas given are for the typical characteristics only at 25°C.

†To calculate total supply current at loads other than 50 pF:

$$I_T(C_L) = I_T(50 \text{ pF}) + (C_L - 50) V f k$$

where: I<sub>T</sub> is in μA (per package), C<sub>L</sub> in pF, V = (V<sub>DD</sub> - V<sub>SS</sub>) in volts, f in kHz is input frequency, and k = 0.003.

**SWITCHING CHARACTERISTICS\*** ( $C_L = 50 \text{ pF}$ ,  $T_A = 25^\circ\text{C}$ )

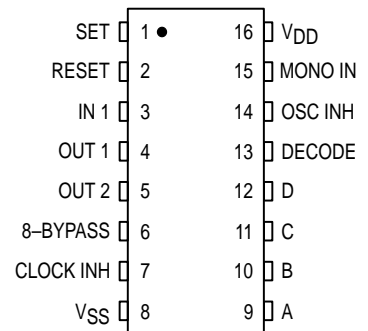
| Characteristics   | Symbol                   | V <sub>DD</sub> | Min                | Typ #              | Max                  | Unit          |
|---|--------------------------|-----------------|--------------------|--------------------|----------------------|---------------|
| Output Rise and Fall Time (Pin 13)<br>$t_{TLH}, t_{THL} = (1.5 \text{ ns/pF}) C_L + 25 \text{ ns}$<br>$t_{TLH}, t_{THL} = (0.75 \text{ ns/pF}) C_L + 12.5 \text{ ns}$<br>$t_{TLH}, t_{THL} = (0.55 \text{ ns/pF}) C_L + 9.5 \text{ ns}$                           | $t_{TLH}$ ,<br>$t_{THL}$ | 5.0<br>10<br>15 | —<br>—<br>—        | 100<br>50<br>40    | 200<br>100<br>80     | ns            |
| Propagation Delay Time<br>Clock to Q1, 8-Bypass (Pin 6) High<br>$t_{PLH}, t_{PHL} = (1.7 \text{ ns/pF}) C_L + 1715 \text{ ns}$<br>$t_{PLH}, t_{PHL} = (0.66 \text{ ns/pF}) C_L + 617 \text{ ns}$<br>$t_{PLH}, t_{PHL} = (0.5 \text{ ns/pF}) C_L + 425 \text{ ns}$ | $t_{PLH}$ ,<br>$t_{PHL}$ | 5.0<br>10<br>15 | —<br>—<br>—        | 1800<br>650<br>450 | 3600<br>1300<br>1000 | ns            |
| Clock to Q1, 8-Bypass (Pin 6) Low<br>$t_{PLH}, t_{PHL} = (1.7 \text{ ns/pF}) C_L + 3715 \text{ ns}$<br>$t_{PLH}, t_{PHL} = (0.66 \text{ ns/pF}) C_L + 1467 \text{ ns}$<br>$t_{PLH}, t_{PHL} = (0.5 \text{ ns/pF}) C_L + 1075 \text{ ns}$                          | $t_{PLH}$ ,<br>$t_{PHL}$ | 5.0<br>10<br>15 | —<br>—<br>—        | 3.8<br>1.5<br>1.1  | 7.6<br>3.0<br>2.3    | $\mu\text{s}$ |
| Clock to Q16<br>$t_{PHL}, t_{PLH} = (1.7 \text{ ns/pF}) C_L + 6915 \text{ ns}$<br>$t_{PHL}, t_{PLH} = (0.66 \text{ ns/pF}) C_L + 2967 \text{ ns}$<br>$t_{PHL}, t_{PLH} = (0.5 \text{ ns/pF}) C_L + 2175 \text{ ns}$   | $t_{PLH}$ ,<br>$t_{PHL}$ | 5.0<br>10<br>15 | —<br>—<br>—        | 7.0<br>3.0<br>2.2  | 14<br>6.0<br>4.5     | $\mu\text{s}$ |
| Reset to $Q_n$<br>$t_{PHL} = (1.7 \text{ ns/pF}) C_L + 1415 \text{ ns}$<br>$t_{PHL} = (0.66 \text{ ns/pF}) C_L + 567 \text{ ns}$<br>$t_{PHL} = (0.5 \text{ ns/pF}) C_L + 425 \text{ ns}$  | $t_{PHL}$                | 5.0<br>10<br>15 | —<br>—<br>—        | 1500<br>600<br>450 | 3000<br>1200<br>900  | ns            |
| Clock Pulse Width   | $t_{WH}$                 | 5.0<br>10<br>15 | 600<br>200<br>170  | 300<br>100<br>85   | —<br>—<br>—          | ns            |
| Clock Pulse Frequency<br>(50% Duty Cycle)   | $f_{cl}$                 | 5.0<br>10<br>15 | —<br>—<br>—        | 1.2<br>3.0<br>5.0  | 0.4<br>1.5<br>2.0    | MHz           |
| Clock Rise and Fall Time  | $t_{TLH}$ ,<br>$t_{THL}$ | 5.0<br>10<br>15 | No Limit           |                    |                      | —             |
| Reset Pulse Width   | $t_{WH}$                 | 5.0<br>10<br>15 | 1000<br>400<br>300 | 500<br>200<br>150  | —<br>—<br>—          | ns            |

\* The formulas given are for the typical characteristics only at 25°C.

#Data labelled "Typ" is not to be used for design purposes but is intended as an indication of the IC's potential performance.

This device contains protection circuitry to guard against damage due to high static voltages or electric fields. However, precautions must be taken to avoid applications of any voltage higher than maximum rated voltages to this high-impedance circuit. For proper operation,  $V_{in}$  and  $V_{out}$  should be constrained to the range  $V_{SS} \leq (V_{in} \text{ or } V_{out}) \leq V_{DD}$ . Unused inputs must always be tied to an appropriate logic voltage level (e.g., either  $V_{SS}$  or  $V_{DD}$ ). Unused outputs must be left open.

**PIN ASSIGNMENT**



## PIN DESCRIPTIONS

### [查询"MC14536BCL"供应商](#)

#### INPUTS

**SET (Pin 1)** — A high on Set asynchronously forces Decode Out to a high level. This is accomplished by setting an output conditioning latch to a high level while at the same time resetting the 24 flip-flop stages. After Set goes low (inactive), the occurrence of the first negative clock transition on IN<sub>1</sub> causes Decode Out to go low. The counter's flip-flop stages begin counting on the second negative clock transition of IN<sub>1</sub>. When Set is high, the on-chip RC oscillator is disabled. This allows for very low-power standby operation.

**RESET (Pin 2)** — A high on Reset asynchronously forces Decode Out to a low level; all 24 flip-flop stages are also reset to a low level. Like the Set input, Reset disables the on-chip RC oscillator for standby operation.

**IN<sub>1</sub> (Pin 3)** — The device's internal counters advance on the negative-going edge of this input. IN<sub>1</sub> may be used as an external clock input or used in conjunction with OUT<sub>1</sub> and OUT<sub>2</sub> to form an RC oscillator. When an external clock is used, both OUT<sub>1</sub> and OUT<sub>2</sub> may be left unconnected or used to drive 1 LSTTL or several CMOS loads.

**8-BYPASS (Pin 6)** — A high on this input causes the first 8 flip-flop stages to be bypassed. This device essentially becomes a 16-stage counter with all 16 stages selectable. Selection is accomplished by the A, B, C, and D inputs. (See the truth tables.)

**CLOCK INHIBIT (Pin 7)** — A high on this input disconnects the first counter stage from the clocking source. This holds the present count and inhibits further counting. However, the clocking source may continue to run. Therefore, when Clock Inhibit is brought low, no oscillator start-up time is required. When Clock Inhibit is low, the counter will start counting on the occurrence of the first negative edge of the clocking source at IN<sub>1</sub>.

**OSC INHIBIT (Pin 14)** — A high level on this pin stops the RC oscillator which allows for very low-power standby operation. May also be used, in conjunction with an external clock, with essentially the same results as the Clock Inhibit input.

**MONO-IN (Pin 15)** — Used as the timing pin for the on-chip monostable multivibrator. If the Mono-In input is connected to V<sub>SS</sub>, the monostable circuit is disabled, and Decode Out is directly connected to the selected Q output. The monostable circuit is enabled if a resistor is connected between Mono-In and V<sub>DD</sub>. This resistor and the device's internal capacitance will determine the minimum output pulse widths. With the addition of an external capacitor to V<sub>SS</sub>, the pulse width range may be extended. For reliable operation the resistor value should be limited to the range of 5 kΩ to 100 kΩ and the capacitor value should be limited to a maximum of 1000 pf. (See figures 3, 4, 5, and 10).

**A, B, C, D (Pins 9, 10, 11, 12)** — These inputs select the flip-flop stage to be connected to Decode Out. (See the truth tables.)

#### OUTPUTS

**OUT<sub>1</sub>, OUT<sub>2</sub> (Pin 4, 5)** — Outputs used in conjunction with IN<sub>1</sub> to form an RC oscillator. These outputs are buffered and may be used for 2<sup>0</sup> frequency division of an external clock.

**DECODE OUT (Pin 13)** — Output function depends on configuration. When the monostable circuit is disabled, this output is a 50% duty cycle square wave during free run.

#### TEST MODE

The test mode configuration divides the 24 flip-flop stages into three 8-stage sections to facilitate a fast test sequence. The test mode is enabled when 8-Bypass, Set and Reset are at a high level. (See Figure 8.)

## TRUTH TABLES

[查询"MC14536BCL"供应商](#)

| Input    |   |   |   |   | Stage Selected<br>for Decode Out |
|----------|---|---|---|---|----------------------------------|
| 8-Bypass | D | C | B | A |                                  |
| 0        | 0 | 0 | 0 | 0 | 9                                |
| 0        | 0 | 0 | 0 | 1 | 10                               |
| 0        | 0 | 0 | 1 | 0 | 11                               |
| 0        | 0 | 0 | 1 | 1 | 12                               |
| 0        | 0 | 1 | 0 | 0 | 13                               |
| 0        | 0 | 1 | 0 | 1 | 14                               |
| 0        | 0 | 1 | 1 | 0 | 15                               |
| 0        | 0 | 1 | 1 | 1 | 16                               |
| 0        | 1 | 0 | 0 | 0 | 17                               |
| 0        | 1 | 0 | 0 | 1 | 18                               |
| 0        | 1 | 0 | 1 | 0 | 19                               |
| 0        | 1 | 0 | 1 | 1 | 20                               |
| 0        | 1 | 1 | 0 | 0 | 21                               |
| 0        | 1 | 1 | 0 | 1 | 22                               |
| 0        | 1 | 1 | 1 | 0 | 23                               |
| 0        | 1 | 1 | 1 | 1 | 24                               |

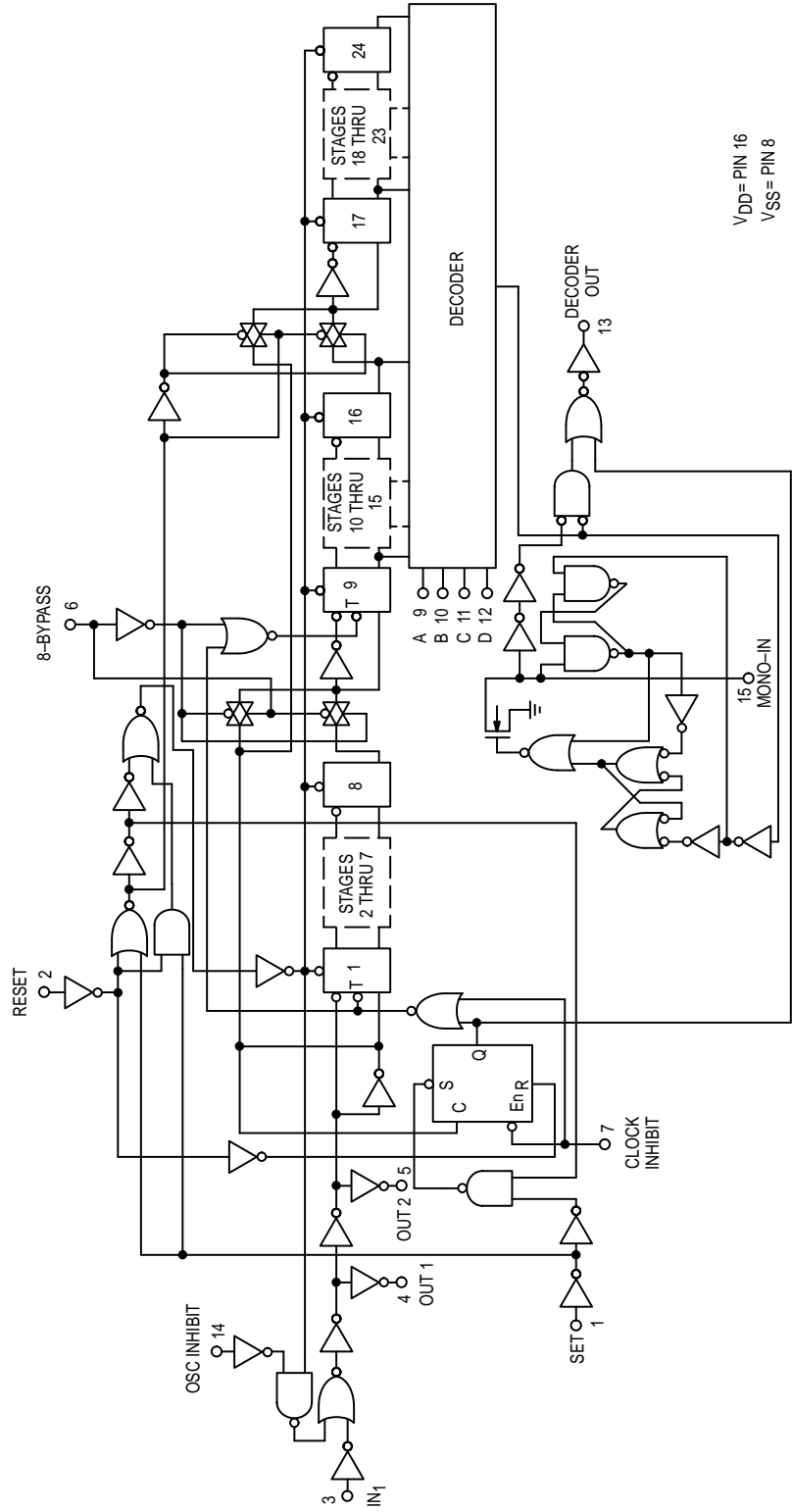
| Input    |   |   |   |   | Stage Selected<br>for Decode Out |
|----------|---|---|---|---|----------------------------------|
| 8-Bypass | D | C | B | A |                                  |
| 1        | 0 | 0 | 0 | 0 | 1                                |
| 1        | 0 | 0 | 0 | 1 | 2                                |
| 1        | 0 | 0 | 1 | 0 | 3                                |
| 1        | 0 | 0 | 1 | 1 | 4                                |
| 1        | 0 | 1 | 0 | 0 | 5                                |
| 1        | 0 | 1 | 0 | 1 | 6                                |
| 1        | 0 | 1 | 1 | 0 | 7                                |
| 1        | 0 | 1 | 1 | 1 | 8                                |
| 1        | 1 | 0 | 0 | 0 | 9                                |
| 1        | 1 | 0 | 0 | 1 | 10                               |
| 1        | 1 | 0 | 1 | 0 | 11                               |
| 1        | 1 | 0 | 1 | 1 | 12                               |
| 1        | 1 | 1 | 0 | 0 | 13                               |
| 1        | 1 | 1 | 0 | 1 | 14                               |
| 1        | 1 | 1 | 1 | 0 | 15                               |
| 1        | 1 | 1 | 1 | 1 | 16                               |

## FUNCTION TABLE

| In <sub>1</sub> | Set | Reset | Clock<br>Inh | OSC<br>Inh | Out 1 | Out 2 | Decode<br>Out            |
|-----------------|-----|-------|--------------|------------|-------|-------|--------------------------|
|                 | 0   | 0     | 0            | 0          |       |       | No<br>Change             |
|                 | 0   | 0     | 0            | 0          |       |       | Advance to<br>next state |
| X               | 1   | 0     | 0            | 0          | 0     | 1     | 1                        |
| X               | 0   | 1     | 0            | 0          | 0     | 1     | 0                        |
| X               | 0   | 0     | 1            | 0          | —     | —     | No<br>Change             |
| X               | 0   | 0     | 0            | 1          | 0     | 1     | No<br>Change             |
| 0               | 0   | 0     | 0            | X          | 0     | 1     | No<br>Change             |
| 1               | 0   | 0     | 0            |            |       |       | Advance to<br>next state |

X = Don't Care

LOGIC DIAGRAM



## TYPICAL RC OSCILLATOR CHARACTERISTICS

(For Circuit Diagram See Figure 11 In Application)

[查询"MC14536BCL"供应商](#)

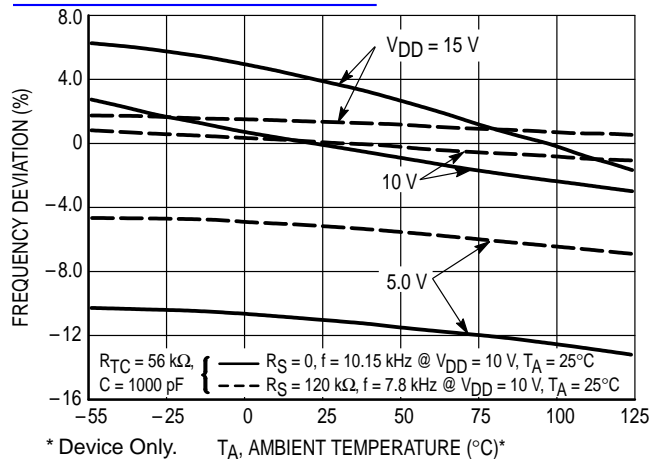


Figure 1. RC Oscillator Stability

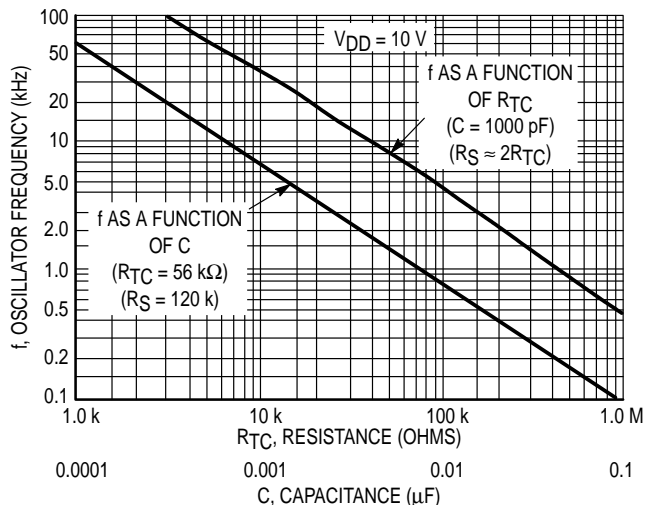


Figure 2. RC Oscillator Frequency as a Function of  $R_{TC}$  and  $C$

## MONOSTABLE CHARACTERISTICS

(For Circuit Diagram See Figure 10 In Application)

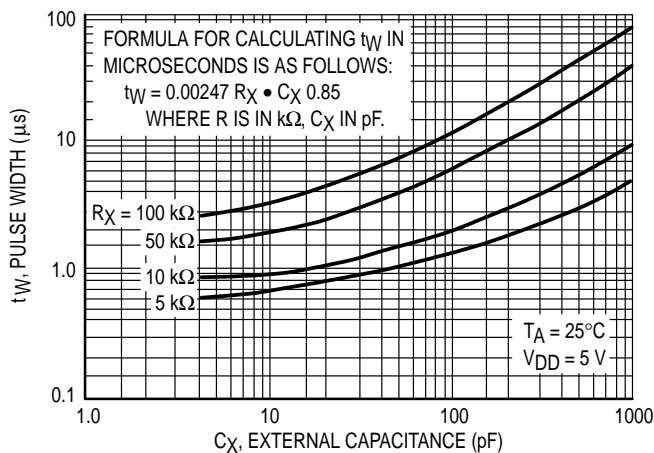


Figure 3. Typical  $C_X$  versus Pulse Width @  $V_{DD} = 5.0 \text{ V}$

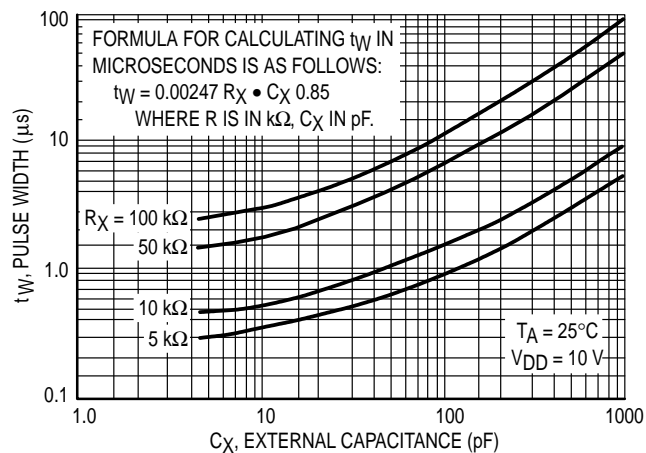


Figure 4. Typical  $C_X$  versus Pulse Width @  $V_{DD} = 10 \text{ V}$

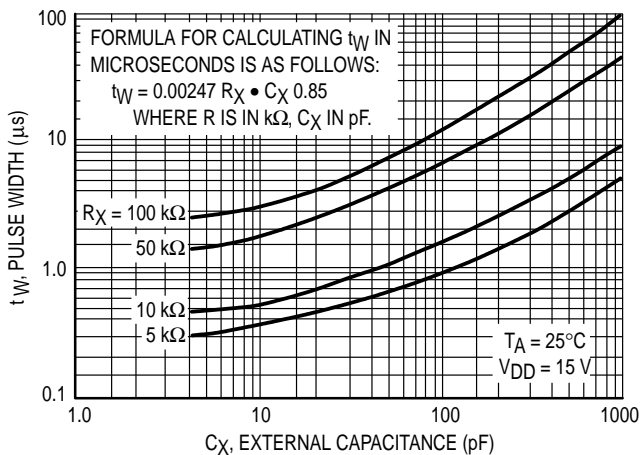


Figure 5. Typical  $C_X$  versus Pulse Width @  $V_{DD} = 15 \text{ V}$

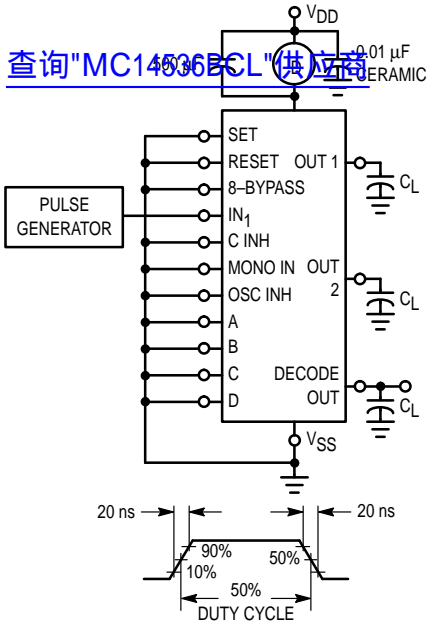


Figure 6. Power Dissipation Test Circuit and Waveform

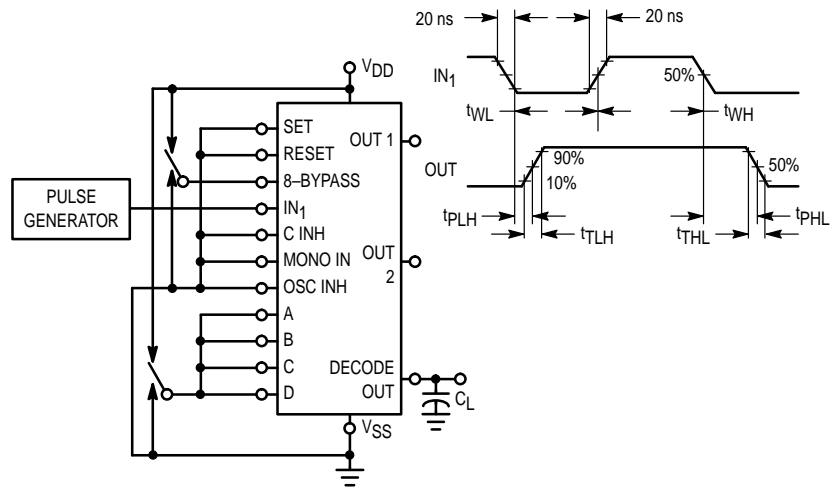


Figure 7. Switching Time Test Circuit and Waveforms

### FUNCTIONAL TEST SEQUENCE

Test function (Figure 8) has been included for the reduction of test time required to exercise all 24 counter stages. This test function divides the counter into three 8-stage sections and 255 counts are loaded in each of the 8-stage sections in parallel. All flip-flops are now at a "1". The counter is now returned to the normal 24-stages in series configuration. One more pulse is entered into In<sub>1</sub> which will cause the counter to ripple from an all "1" state to an all "0" state.

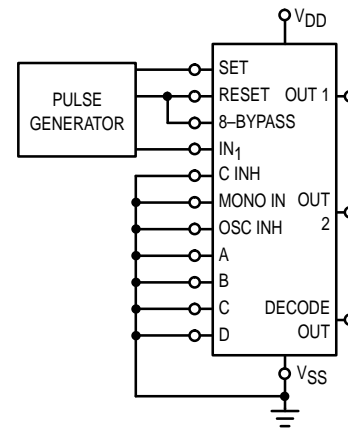
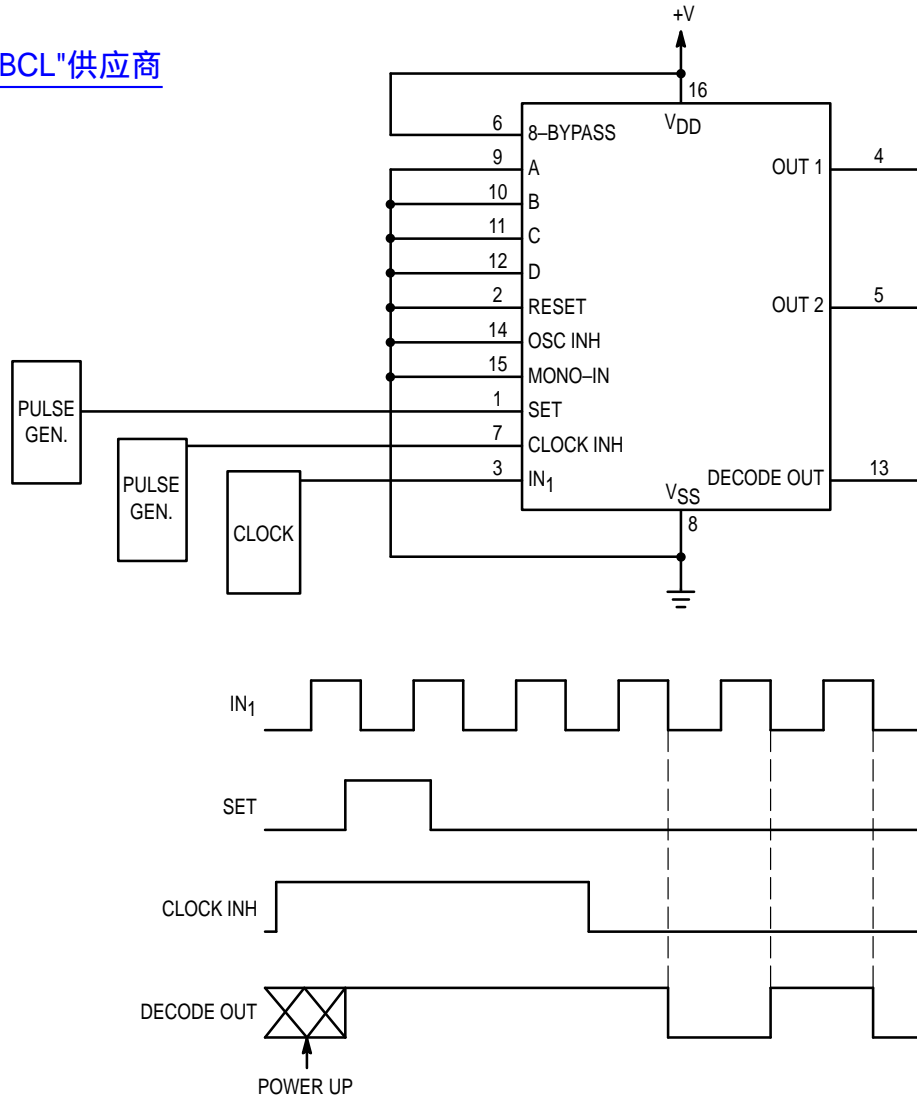


Figure 8. Functional Test Circuit

### FUNCTIONAL TEST SEQUENCE

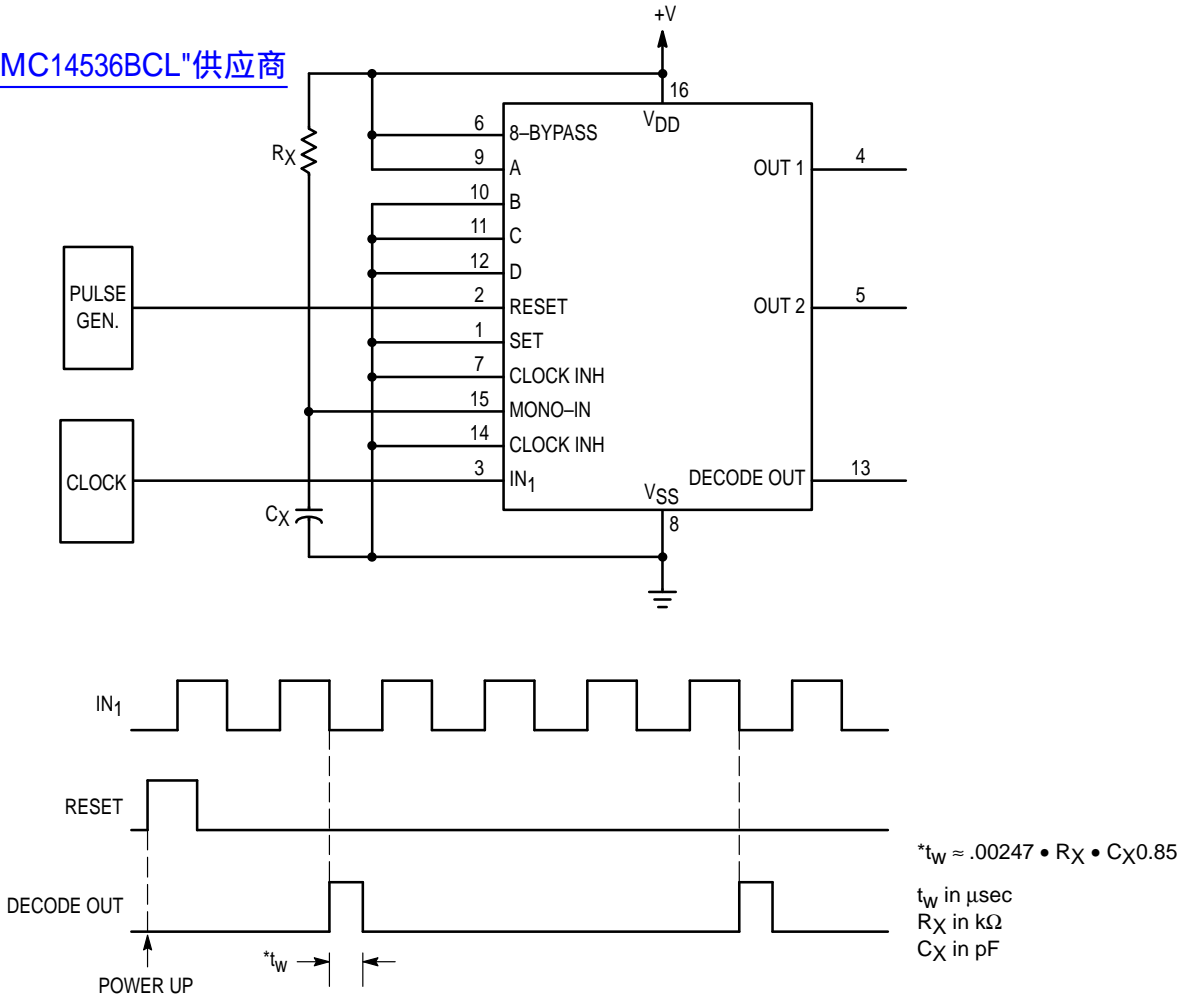
| Inputs                |     |       |          | Outputs                | Comments  |
|-----------------------|-----|-------|----------|------------------------|---|
| In <sub>1</sub>       | Set | Reset | 8-Bypass | Decade Out Q1 thru Q24 |   |
| 1                     | 0   | 1     | 1        | 0                      | All 24 stages are in Reset mode.  |
| 1                     | 1   | 1     | 1        | 0                      | Counter is in three 8 stage sections in parallel mode.  |
| 0                     | 1   | 1     | 1        | 0                      | First "1" to "0" transition of clock.   |
| 1<br>0<br>—<br>—<br>— | 1   | 1     | 1        |                        | 255 "1" to "0" transitions are clocked in the counter.  |
| 0                     | 1   | 1     | 1        | 1                      | The 255 "1" to "0" transition.  |
| 0                     | 0   | 0     | 0        | 1                      | Counter converted back to 24 stages in series mode. Set and Reset must be connected together and simultaneously go from "1" to "0". |
| 1                     | 0   | 0     | 0        | 1                      | In <sub>1</sub> Switches to a "1".  |
| 0                     | 0   | 0     | 0        | 0                      | Counter Ripples from an all "1" state to an all "0" state.  |





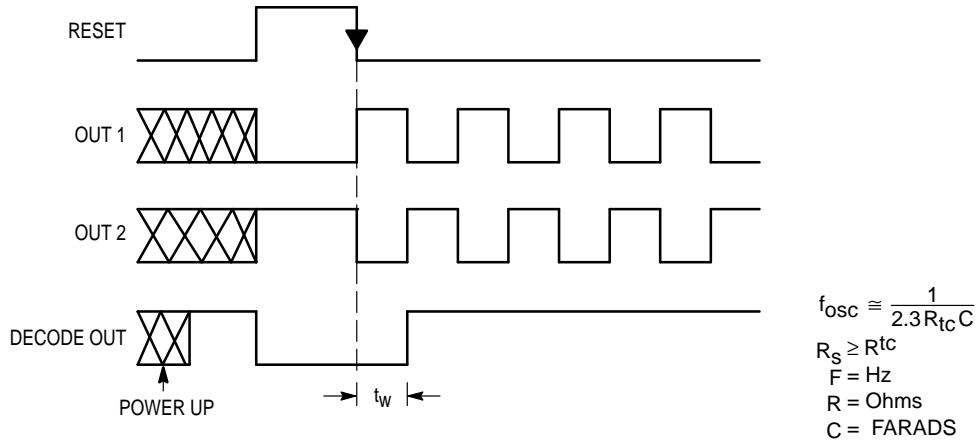
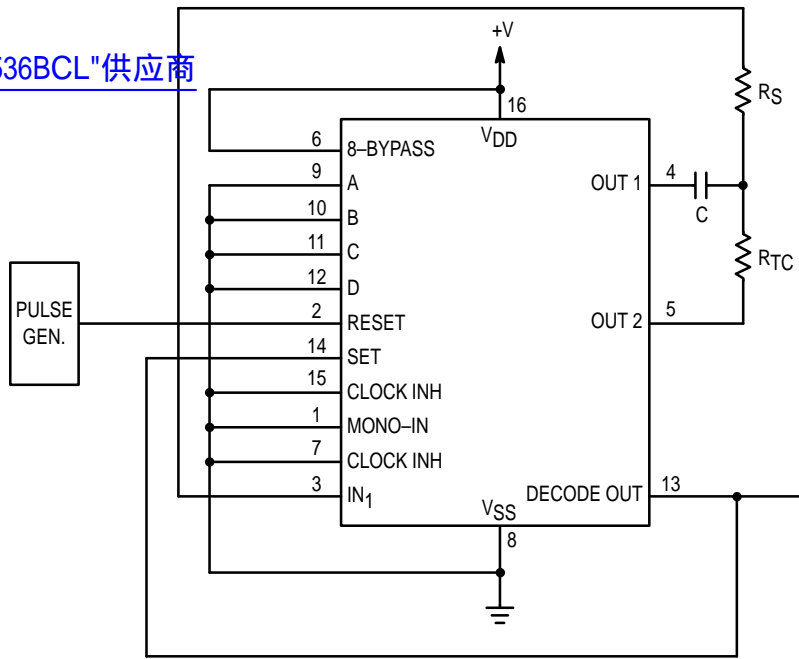
NOTE: When power is first applied to the device, Decode Out can be either at a high or low state. On the rising edge of a Set pulse the output goes high if initially at a low state. The output remains high if initially at a high state. Because Clock Inh is held high, the clock source on the input pin has no effect on the output. Once Clock Inh is taken low, the output goes low on the first negative clock transition. The output returns high depending on the 8-Bypass, A, B, C, and D inputs, and the clock input period. A  $2^n$  frequency division (where  $n$  = the number of stages selected from the truth table) is obtainable at Decode Out. A  $2^0$ -divided output of IN<sub>1</sub> can be obtained at OUT<sub>1</sub> and OUT<sub>2</sub>.

**Figure 9. Time Interval Configuration Using an External Clock, Set, and Clock Inhibit Functions (Divide-by-2 Configured)**



NOTE: When Power is first applied to the device with the Reset input going high, Decode Out initializes low. Bringing the Reset input low enables the chip's internal counters. After Reset goes low, the  $2^{n/2}$  negative transition of the clock input causes Decode Out to go high. Since the Mono-In input is being used, the output becomes monostable. The pulse width of the output is dependent on the external timing components. The second and all subsequent pulses occur at  $2^n \times$  (the clock period) intervals where  $n$  = the number of stages selected from the truth table.

**Figure 10. Time Interval Configuration Using an External Clock, Reset, and Output Monostable to Achieve a Pulse Output (Divide-by-4 Configured)**



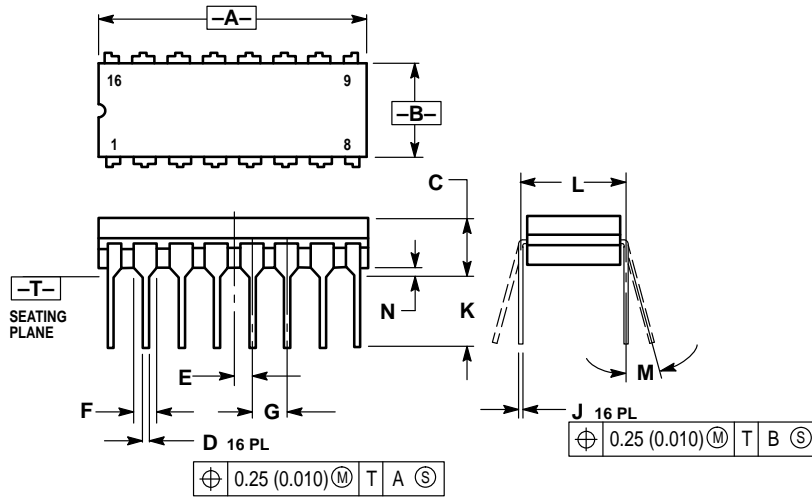
NOTE: This circuit is designed to use the on-chip oscillation function. The oscillator frequency is determined by the external R and C components. When power is first applied to the device, Decode Out initializes to a high state. Because this output is tied directly to the Osc-Inh input, the oscillator is disabled. This puts the device in a low-current standby condition. The rising edge of the Reset pulse will cause the output to go low. This in turn causes Osc-Inh to go low. However, while Reset is high, the oscillator is still disabled (i.e.: standby condition). After Reset goes low, the output remains low for  $2^{n/2}$  of the oscillator's period. After the part times out, the output again goes high.

**Figure 11. Time Interval Configuration Using On-Chip RC Oscillator and Reset Input to Initiate Time Interval (Divide-by-2 Configured)**

## OUTLINE DIMENSIONS

[查询"MC14536BCL"供应商](#)

### L SUFFIX CERAMIC DIP PACKAGE CASE 620-10 ISSUE V

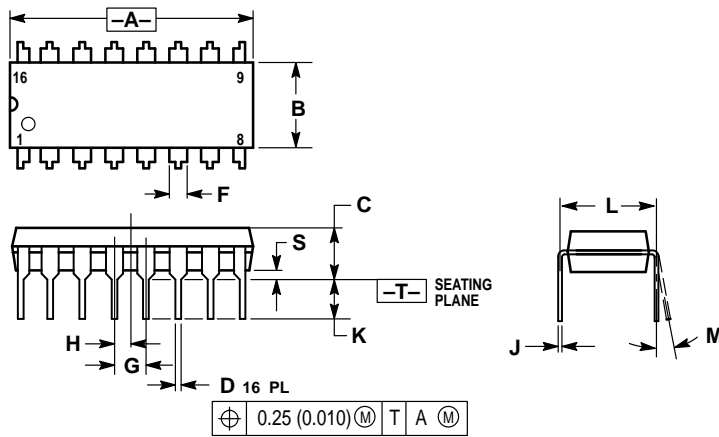


**NOTES:**

1. DIMENSIONING AND TOLERANCING PER ANSI Y14.5M, 1982.
2. CONTROLLING DIMENSION: INCH.
3. DIMENSION L TO CENTER OF LEAD WHEN FORMED PARALLEL.
4. DIMENSION F MAY NARROW TO 0.76 (0.030) WHERE THE LEAD ENTERS THE CERAMIC BODY.

| DIM | INCHES    |       | MILLIMETERS |       |
|-----|-----------|-------|-------------|-------|
|     | MIN       | MAX   | MIN         | MAX   |
| A   | 0.750     | 0.785 | 19.05       | 19.93 |
| B   | 0.240     | 0.295 | 6.10        | 7.49  |
| C   | —         | 0.200 | —           | 5.08  |
| D   | 0.015     | 0.020 | 0.39        | 0.50  |
| E   | 0.050 BSC |       | 1.27 BSC    |       |
| F   | 0.055     | 0.065 | 1.40        | 1.65  |
| G   | 0.100 BSC |       | 2.54 BSC    |       |
| H   | 0.008     | 0.015 | 0.21        | 0.38  |
| K   | 0.125     | 0.170 | 3.18        | 4.31  |
| L   | 0.300 BSC |       | 7.62 BSC    |       |
| M   | 0°        | 15°   | 0°          | 15°   |
| N   | 0.020     | 0.040 | 0.51        | 1.01  |

### P SUFFIX PLASTIC DIP PACKAGE CASE 648-08 ISSUE R



**NOTES:**

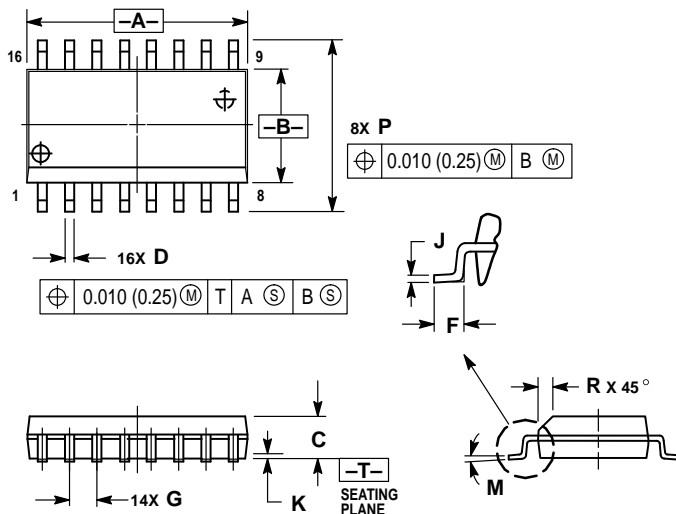
1. DIMENSIONING AND TOLERANCING PER ANSI Y14.5M, 1982.
2. CONTROLLING DIMENSION: INCH.
3. DIMENSION L TO CENTER OF LEADS WHEN FORMED PARALLEL.
4. DIMENSION B DOES NOT INCLUDE MOLD FLASH.
5. ROUNDED CORNERS OPTIONAL.

| DIM | INCHES    |       | MILLIMETERS |       |
|-----|-----------|-------|-------------|-------|
|     | MIN       | MAX   | MIN         | MAX   |
| A   | 0.740     | 0.770 | 18.80       | 19.55 |
| B   | 0.250     | 0.270 | 6.35        | 6.85  |
| C   | 0.145     | 0.175 | 3.69        | 4.44  |
| D   | 0.015     | 0.021 | 0.39        | 0.53  |
| F   | 0.040     | 0.70  | 1.02        | 1.77  |
| G   | 0.100 BSC |       | 2.54 BSC    |       |
| H   | 0.050 BSC |       | 1.27 BSC    |       |
| J   | 0.008     | 0.015 | 0.21        | 0.38  |
| K   | 0.110     | 0.130 | 2.80        | 3.30  |
| L   | 0.295     | 0.305 | 7.50        | 7.74  |
| M   | 0°        | 10°   | 0°          | 10°   |
| S   | 0.020     | 0.040 | 0.51        | 1.01  |

# OUTLINE DIMENSIONS

查询"MC14536BCL"供应商

## DW SUFFIX PLASTIC SOIC PACKAGE CASE 751G-02 ISSUE A



- NOTES:
1. DIMENSIONING AND TOLERANCING PER ANSI Y14.5M, 1982.
  2. CONTROLLING DIMENSION: MILLIMETER.
  3. DIMENSIONS A AND B DO NOT INCLUDE MOLD PROTRUSION.
  4. MAXIMUM MOLD PROTRUSION 0.15 (0.006) PER SIDE.
  5. DIMENSION D DOES NOT INCLUDE DAMBAR PROTRUSION. ALLOWABLE DAMBAR PROTRUSION SHALL BE 0.13 (0.005) TOTAL IN EXCESS OF D DIMENSION AT MAXIMUM MATERIAL CONDITION.

| DIM | MILLIMETERS |       | INCHES    |       |
|-----|-------------|-------|-----------|-------|
|     | MIN         | MAX   | MIN       | MAX   |
| A   | 10.15       | 10.45 | 0.400     | 0.411 |
| B   | 7.40        | 7.60  | 0.292     | 0.299 |
| C   | 2.35        | 2.65  | 0.093     | 0.104 |
| D   | 0.35        | 0.49  | 0.014     | 0.019 |
| F   | 0.50        | 0.90  | 0.020     | 0.035 |
| G   | 1.27 BSC    |       | 0.050 BSC |       |
| J   | 0.25        | 0.32  | 0.010     | 0.012 |
| K   | 0.10        | 0.25  | 0.004     | 0.009 |
| M   | 0°          | 7°    | 0°        | 7°    |
| P   | 10.05       | 10.55 | 0.395     | 0.415 |
| R   | 0.25        | 0.75  | 0.010     | 0.029 |

Motorola reserves the right to make changes without further notice to any products herein. Motorola makes no warranty, representation or guarantee regarding the suitability of its products for any particular purpose, nor does Motorola assume any liability arising out of the application or use of any product or circuit, and specifically disclaims any and all liability, including without limitation consequential or incidental damages. "Typical" parameters which may be provided in Motorola data sheets and/or specifications can and do vary in different applications and actual performance may vary over time. All operating parameters, including "Typicals" must be validated for each customer application by customer's technical experts. Motorola does not convey any license under its patent rights nor the rights of others. Motorola products are not designed, intended, or authorized for use as components in systems intended for surgical implant into the body, or other applications intended to support or sustain life, or for any other application in which the failure of the Motorola product could create a situation where personal injury or death may occur. Should Buyer purchase or use Motorola products for any such unintended or unauthorized application, Buyer shall indemnify and hold Motorola and its officers, employees, subsidiaries, affiliates, and distributors harmless against all claims, costs, damages, and expenses, and reasonable attorney fees arising out of, directly or indirectly, any claim of personal injury or death associated with such unintended or unauthorized use, even if such claim alleges that Motorola was negligent regarding the design or manufacture of the part. Motorola and are registered trademarks of Motorola, Inc. Motorola, Inc. is an Equal Opportunity/Affirmative Action Employer.

**How to reach us:**  
**USA/EUROPE/Locations Not Listed:** Motorola Literature Distribution;  
 P.O. Box 20912; Phoenix, Arizona 85036. 1-800-441-2447 or 602-303-5454

**JAPAN:** Nippon Motorola Ltd.; Tatsumi-SPD-JLDC, 6F Seibu-Butsuryu-Center,  
 3-14-2 Tatsumi Koto-Ku, Tokyo 135, Japan. 03-81-3521-8315

**MFAX:** RMFAX0@email.sps.mot.com – TOUCHTONE 602-244-6609  
**INTERNET:** http://Design-NET.com

**ASIA/PACIFIC:** Motorola Semiconductors H.K. Ltd.; 8B Tai Ping Industrial Park,  
 51 Ting Kok Road, Tai Po, N.T., Hong Kong. 852-26629298



MC14536B/D

