

## Applications

- Bluetooth™ wireless technology (Class 1)
- USB dongles, PCMCIA, flash cards, Access Points
- Enhanced data rate

## Features

- Integrated input and inter-stage match
- +25 dBm GFSK Output Power
- +19.5 dBm 8DPSK Output Power
- Low current: 110 mA typical @  $P_{OUT} = +20$  dBm
- Ultra low quiescent current: 28 mA
- Digital Enable for direct interface to standard CMOS processors
- Mode-control for easy switching between standard and EDR modes
- Gain: 29 dB
- 3.3 V single supply operation

## Ordering Information

Type	Package	Remark
SE2425U	3 x 3 x 0.5 mm QFN	Sample
SE2425U-R	3 x 3 x 0.5 mm QFN	Tape & Reel
SE2425U-EK1	N/A	Evaluation Kit

## Product Description

A monolithic, high-efficiency, silicon-germanium power amplifier IC, the SE2425U is designed for 2.4 GHz wireless applications, including Bluetooth™ Class 1 basic rate and enhanced data rate applications. It delivers +25 dBm output power in standard rate GFSK mode and +19.5 dBm output power in enhanced rate 8DPSK.

The SE2425U provides a digital mode control input for boosting the linear performance for enhanced data rate applications.

The SE2425U operates at 3.3 V DC with a peak efficiency of 43 % in basic rate and 21 % in enhanced rate mode. The internal bias management allows the part to only draw 28 mA in Class 2 output power levels.

Output match integrates the high Q inductors to reduce component count and bill of materials. It uses two external capacitors to allow for varying loads, such as switches and filters, in different applications.

The silicon/silicon-germanium structure of the SE2425U, and its exposed die-pad package, soldered to the system PCB, provide high thermal conductivity and a subsequently low junction temperature. This device is capable of operating at a duty cycle of 100 percent.

## Functional Block Diagram

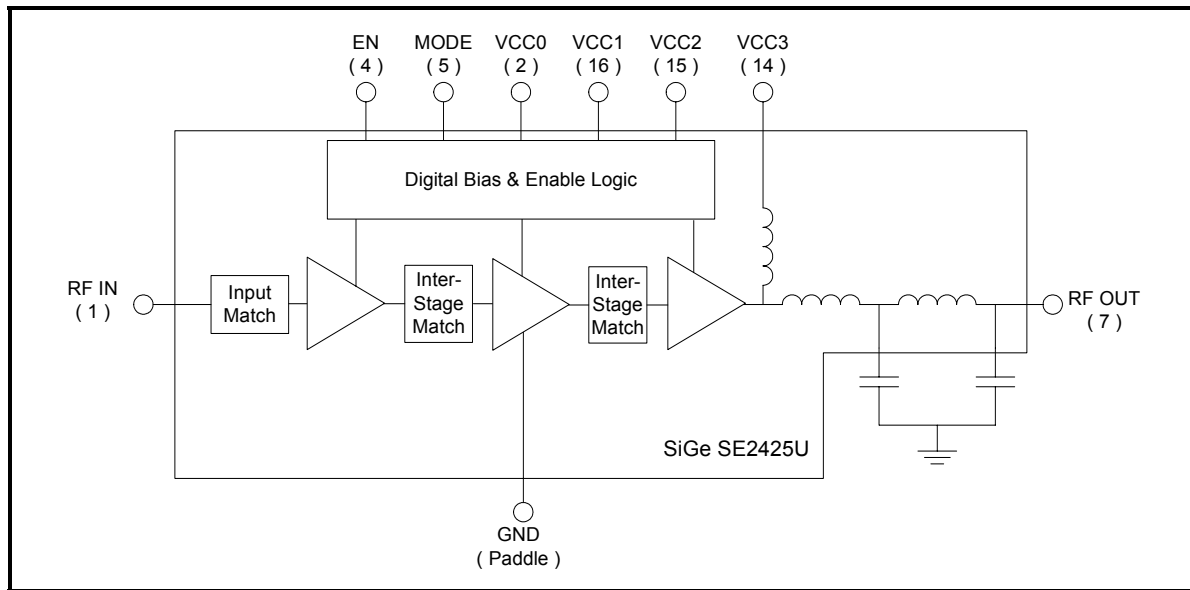


Figure 1: SE2425U Block Diagram

### Pin-Out Diagram

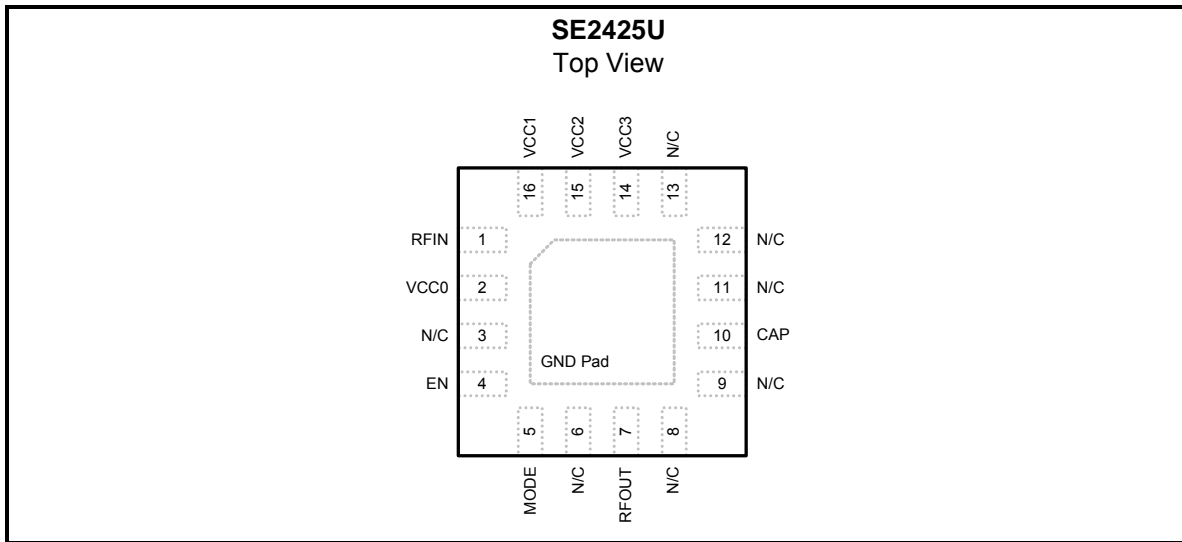


Figure 2: SE2425U Pin-Out

### Pin Out Description

Pin No.	Name	Description
1	RF <sub>IN</sub>	Power amplifier RF input, DC blocking is required
2	V <sub>CC0</sub>	Bias Power Supply
3	N/C	Do Not Connect
4	EN	PA Enable
5	MODE	Mode switch
6	N/C	Do Not Connect
7	RF <sub>OUT</sub>	RF output Note: Requires external DC blocking and optional shunt capacitor (typically 0p75 0402)
8	N/C	Do Not Connect
9	N/C	Do Not Connect
10	CAP	Matching capacitor (typically 1p3 0402)
11	N/C	Do Not Connect
12	N/C	Do Not Connect
13	N/C	Do Not Connect
14	V <sub>CC3</sub>	Stage 3 collector supply voltage
15	V <sub>CC2</sub>	Stage 2 collector supply voltage
16	V <sub>CC1</sub>	Stage 1 collector supply voltage
GND Pad	GND	Heat slug Ground Pad

## Absolute Maximum Ratings

Operation in excess of any one of above Absolute Maximum Ratings may result in permanent damage. This device is ESD sensitive. Handling and assembly of this device should be at ESD protected workstations.

Symbol	Parameter	Min.	Max.	Unit
V <sub>CC</sub>	Supply Voltage	-0.3	+4.2	V
V <sub>EN</sub>	Enable Voltage	-0.3	V <sub>CC</sub>	V
I <sub>N</sub>	RF Input Power	-	0	dBm
T <sub>C</sub>	Case Temperature Range	-40	+85	°C
T <sub>STG</sub>	Storage Temperature Range	-40	+150	°C
T <sub>J</sub>	Maximum Junction Temperature	-	+150	°C

## DC Electrical Characteristics

Conditions: V<sub>CC0</sub> = V<sub>CC1</sub> = V<sub>CC2</sub> = V<sub>CC3</sub> = 3.3 V, T<sub>C</sub> = 25 °C, f = 2.45 GHz, as measured on SiGe Semiconductor's SE2425U-EV1 evaluation board unless otherwise noted.

Symbol	Parameter	Min.	Typ.	Max.	Unit
V <sub>CC</sub>	Supply Voltage	2.7	3.3	3.6	V
I <sub>CC</sub>	Supply Current V <sub>MODE</sub> = Low, P <sub>OUT</sub> = 20 dBm	-	110	-	mA
	Supply Current V <sub>MODE</sub> = Low, No RF	-	28	-	mA
	Supply Current V <sub>MODE</sub> = High, No RF	-	81	-	mA
	Supply Current V <sub>MODE</sub> = High, P <sub>OUT</sub> = 19.5 dBm	-	123	-	mA
I <sub>EN</sub>	Current sunk by EN pin (logic high)	-	-	1	μA
I <sub>MODE</sub>	Current sunk by MODE pin (logic high)	-	-	1	μA
V <sub>LOGIC</sub>	Logic High Voltage	2.0	2.8	3.3	V
	Logic Low Voltage	0	-	0.8	V
I <sub>stdby</sub>	Leakage Current when V <sub>EN</sub> = V <sub>MODE</sub> = 0 V, No RF	-	1	10	μA

### AC Electrical Characteristics

Conditions:  $V_{EN} = V_{CC0} = V_{CC1} = V_{CC2} = V_{CC3} = 3.3\text{ V}$ ,  $V_{MODE} = \text{Low}$ ,  $P_{IN} = -6\text{ dBm}$ ,  $T_C = 25\text{ }^\circ\text{C}$ ,  $f = 2.45\text{ GHz}$ , as measured on SiGe Semiconductor's SE2425U-EV1 evaluation board, unless otherwise noted

Standard Rate Mode					
Symbol	Parameter	Min.	Typ.	Max.	Unit
$f_{L-U}$	Frequency Range	2400	-	2500	MHz
$P_{OUT\_MAX}$	Maximum Output Power ( $P_{IN} = 0\text{ dBm}$ )	-	25	-	dBm
$\Delta P_{temp}$	Output Power variation over temperature ( $-40\text{ }^\circ\text{C} < T_A < +85\text{ }^\circ\text{C}$ )	-	0.5	-	dB
G	Gain @ $P_{IN} = -25\text{ dBm}$ Gain @ $P_{IN} = -6\text{ dBm}$	-	29.5 28.5	-	dB
$G_{VAR}$	Gain Variation over band (2400-2500 MHz)	-	0.1	1.0	dB
2f	Harmonics	-	-40	-	dBc
3f		-	-41	-	
$IS_{11I}$	-	10	-	-	dB
$IS_{21OFF}$	Isolation in "OFF" State, $V_{EN} = 0\text{ V}$	-	36	-	dB
$IS_{12I}$	Reverse Isolation	-	42	-	dB
STAB	Stability ( $P_{IN} = -6\text{ dBm}$ , Load VSWR = 4:1)	All non-harmonically related outputs less than -50 dBc			

Conditions:  $V_{EN} = V_{CC0} = V_{CC1} = V_{CC2} = V_{CC3} = 3.3\text{ V}$ ,  $V_{MODE} = \text{High}$ ,  $T_C = 25\text{ }^\circ\text{C}$ ,  $f = 2.45\text{ GHz}$ , as measured on SiGe Semiconductor's SE2425U-EV1 evaluation board, unless otherwise noted.

Enhanced Rate Mode					
Symbol	Parameter	Min.	Typ.	Max.	Unit
$P_{OUT\_MAX}$	Output Power (Meets ACPR1/2 specification)	-	19.5	-	dBm
$\Delta P_{temp}$	Output Power variation over temperature ( $-40\text{ }^\circ\text{C} < T_A < +85\text{ }^\circ\text{C}$ ) for $P_{IN} = -15\text{ dBm}$	-	1.5	-	dB
G	Gain @ $P_{IN} = -25\text{ dBm}$	-	30.5	-	dB
$G_{VAR}$	Gain Variation over band, $P_{IN} = -25\text{ dBm}$	-	0.1	-	dB
ACPR1	2 Mbps, $\pi/4$ -DQPSK, $F_C \pm 2\text{ MHz}$ , BW = 1 MHz	-	-	-20	dBm
	3 Mbps, 8DPSK, $F_C \pm 2\text{ MHz}$ , BW = 1 MHz	-	-	-20	dBm
ACPR2	2 Mbps, $\pi/4$ -DQPSK, $F_C \pm 3\text{ MHz}$ , BW = 1 MHz	-	-	-40	dBm
	3 Mbps, 8DPSK, $F_C \pm 3\text{ MHz}$ , BW = 1 MHz	-	-	-40	dBm

## Typical Performance Characteristics

### Low Mode

Test Conditions:  $V_{EN} = V_{CC0} = V_{CC1} = V_{CC2} = V_{CC3} = 3.3\text{ V}$ , MODE = Low,  $T_c = 25\text{ }^\circ\text{C}$ ,  $f = 2.45\text{ GHz}$ , as measured on SiGe's SE2425U-EV1 evaluation board otherwise noted

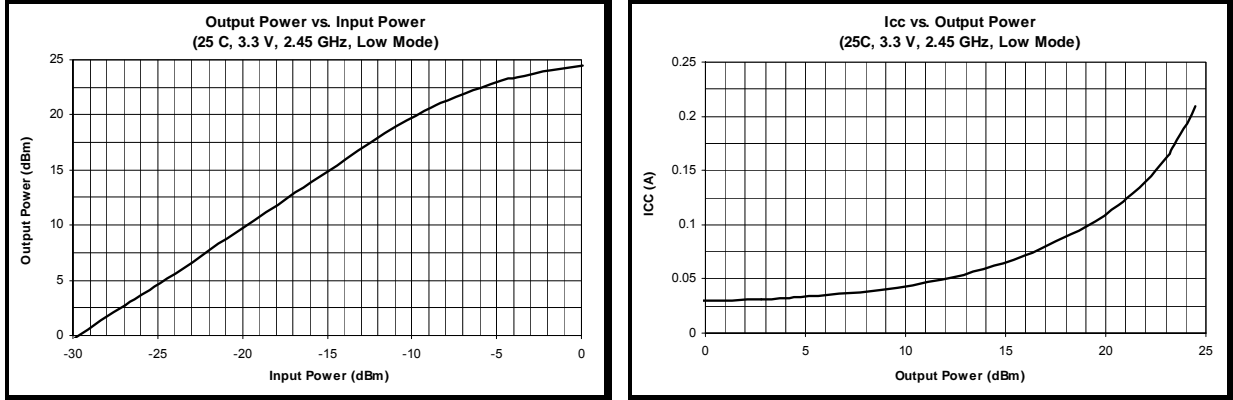


Figure 3: Typical Performance Data in Low Mode (a) Output Power vs. Input Power, (b) Current vs. Output Power

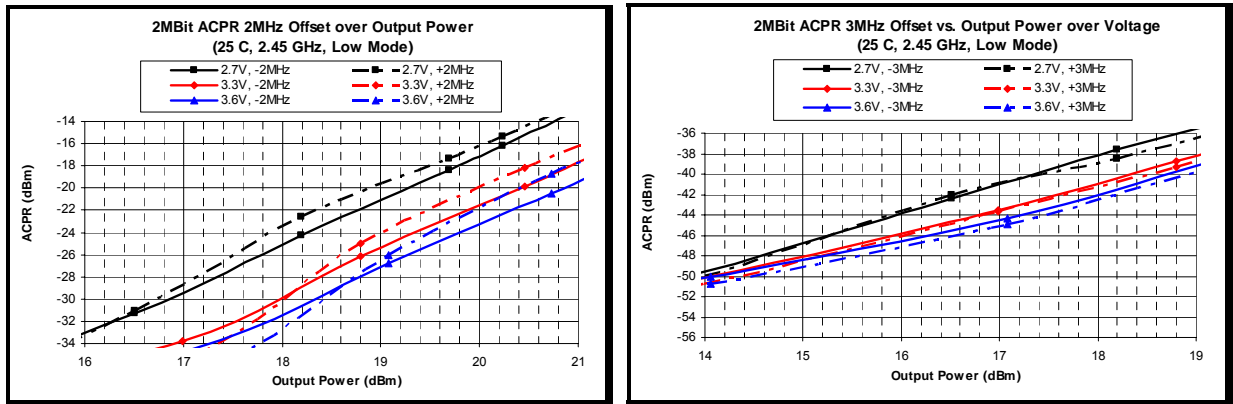


Figure 4: Typical 2 Mbps Enhanced Data Rate (EDR) Performance Data in Low Mode (a) ACPR @ 2 MHz Offset vs. Output Power over Voltage (b) ACPR @ 3 MHz Offset vs. Output Power over voltage

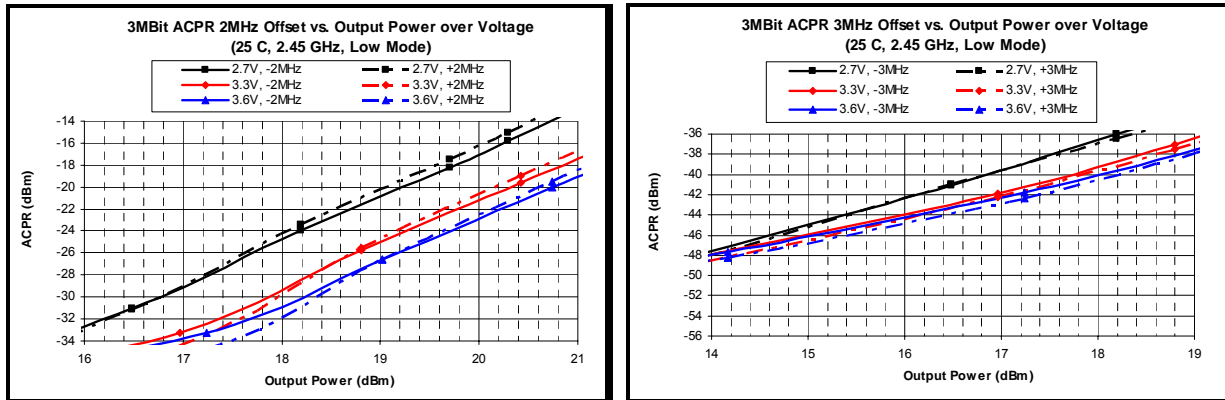
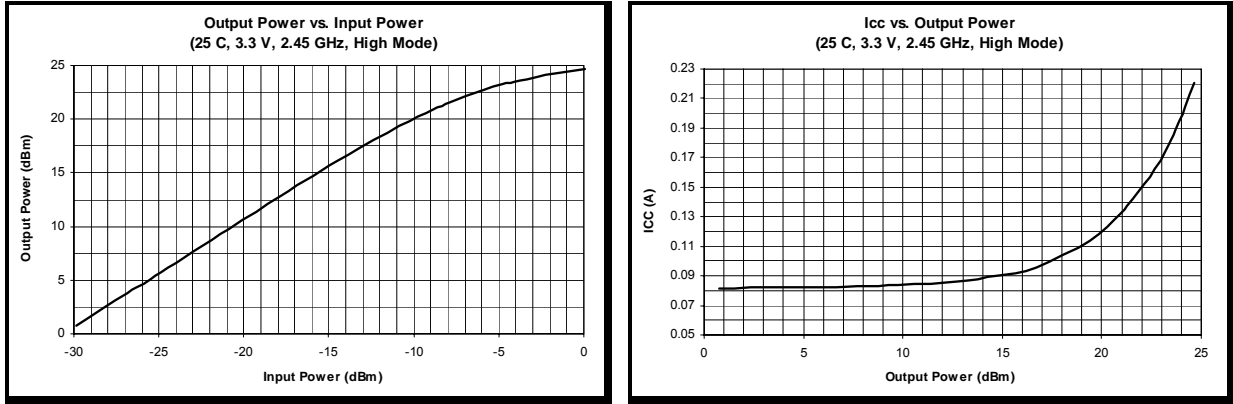


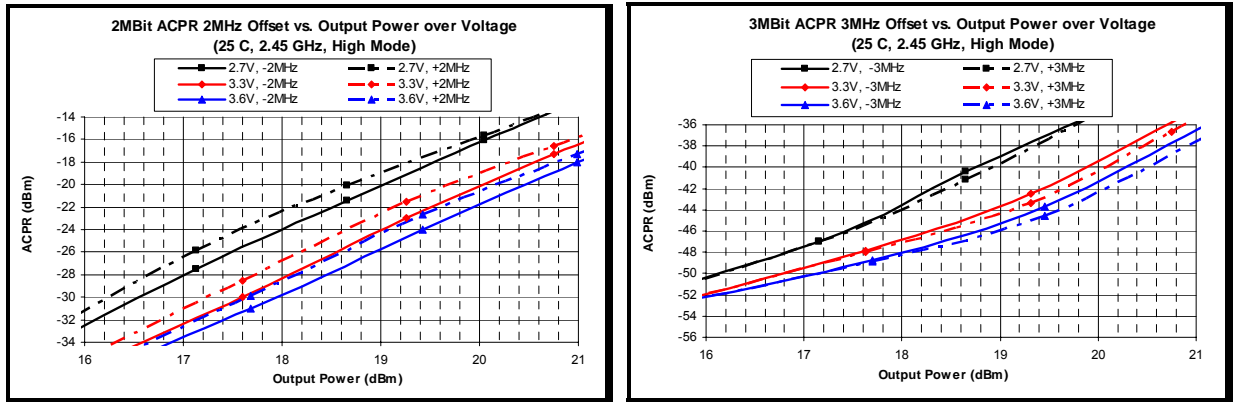
Figure 5: Typical 3 Mbps Enhanced Data Rate (EDR) Performance Data in Low Mode (a) ACPR @ 2 MHz Offset vs. Output Power over Voltage (b) ACPR @ 3 MHz Offset vs. Output Power over voltage

**High Mode**

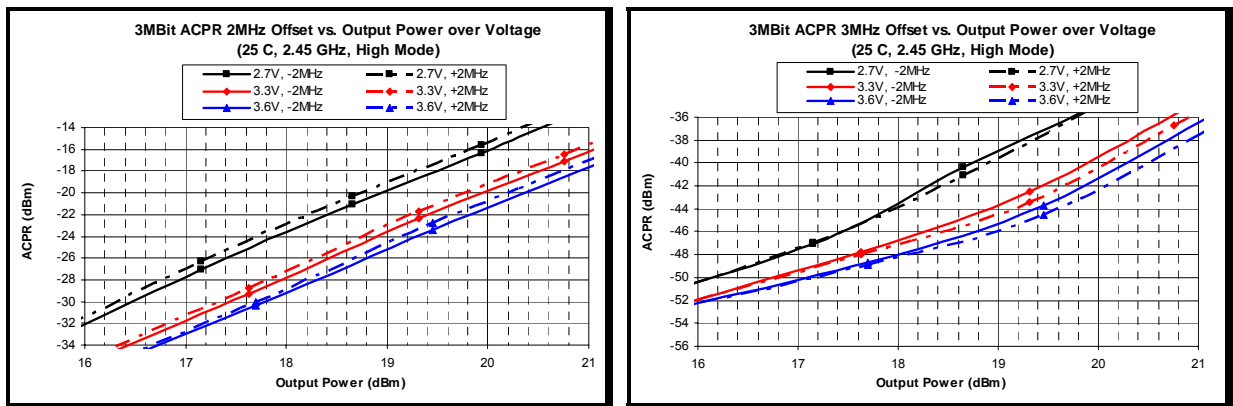
Test Conditions:  $V_{EN} = V_{CC0} = V_{CC1} = V_{CC2} = V_{CC3} = 3.3\text{ V}$ , MODE = High,  $T_c = 25\text{ }^\circ\text{C}$ ,  $f = 2.45\text{ GHz}$ , as measured on SiGe's SE2425U-EV1 evaluation board otherwise noted



**Figure 6: Typical Performance Data in High Mode (a) Output Power vs. Input Power , (b) Current vs. Output Power**



**Figure 7: Typical 2 Mbps Enhanced Data Rate (EDR) Performance Data in High Mode (a) ACPR @ 2 MHz Offset vs. Output Power over Voltage (b) ACPR @ 3 MHz Offset vs. Output Power over Voltage**



**Figure 8: Typical 3 Mbps Enhanced Data Rate (EDR) Performance Data in High Mode (a) ACPR @ 2 MHz Offset vs. Output Power over Voltage (b) ACPR @ 3 MHz Offset vs. Output Power over Voltage**

Harmonic Performance

Test Conditions:  $V_{EN} = V_{CC0} = V_{CC1} = V_{CC2} = V_{CC3} = 3.3\text{ V}$ ,  $T_C = 25\text{ }^\circ\text{C}$ ,  $f = 2.45\text{ GHz}$ , as measured on SiGe's SE2425U-EV1 evaluation board otherwise noted

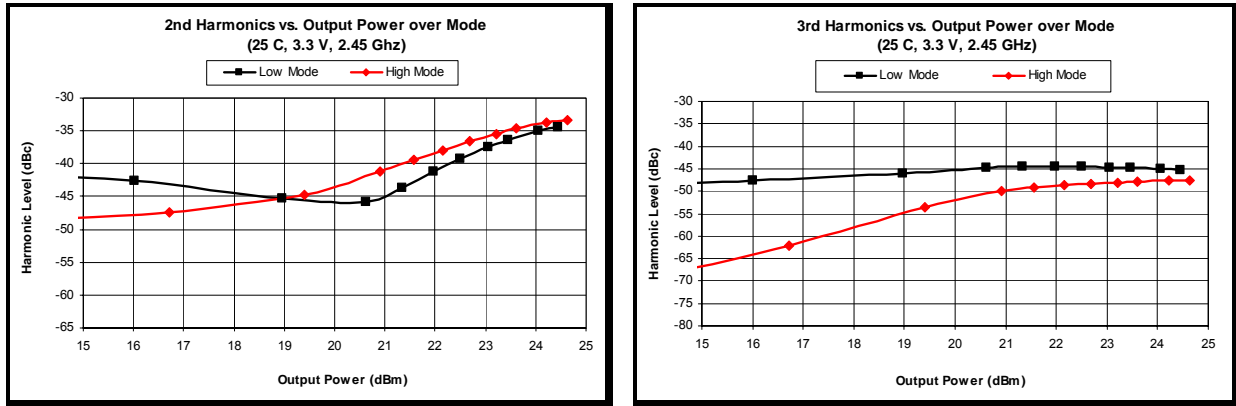


Figure 9: Typical Harmonic Performance Data in Low and High Mode (a) 2<sup>nd</sup> Harmonic Performance in Low and High Mode (b) 3<sup>rd</sup> Harmonic Performance in Low and High Mode

### Branding Information

Figure 10 shows the SE2425U branding.

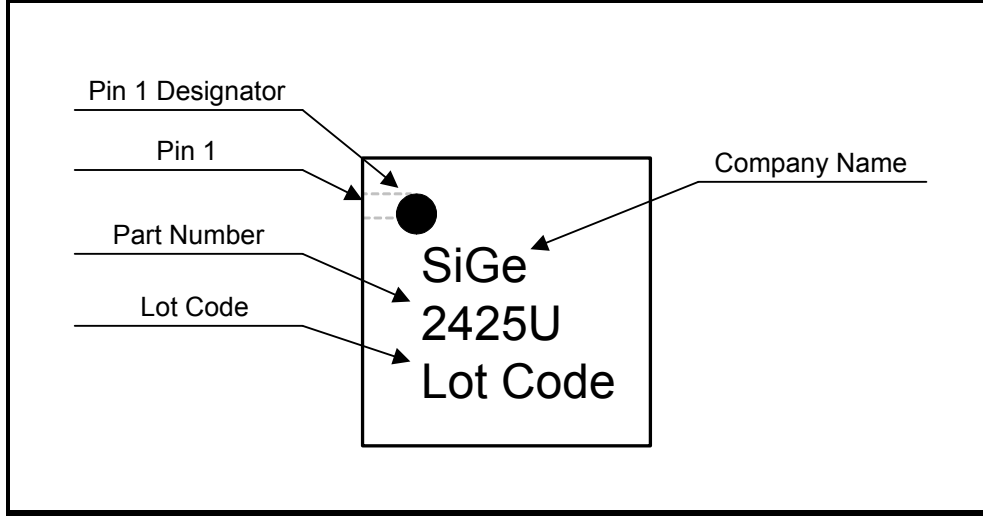


Figure 10: SE2425U Branding Information

### Package Information

This package is lead free.

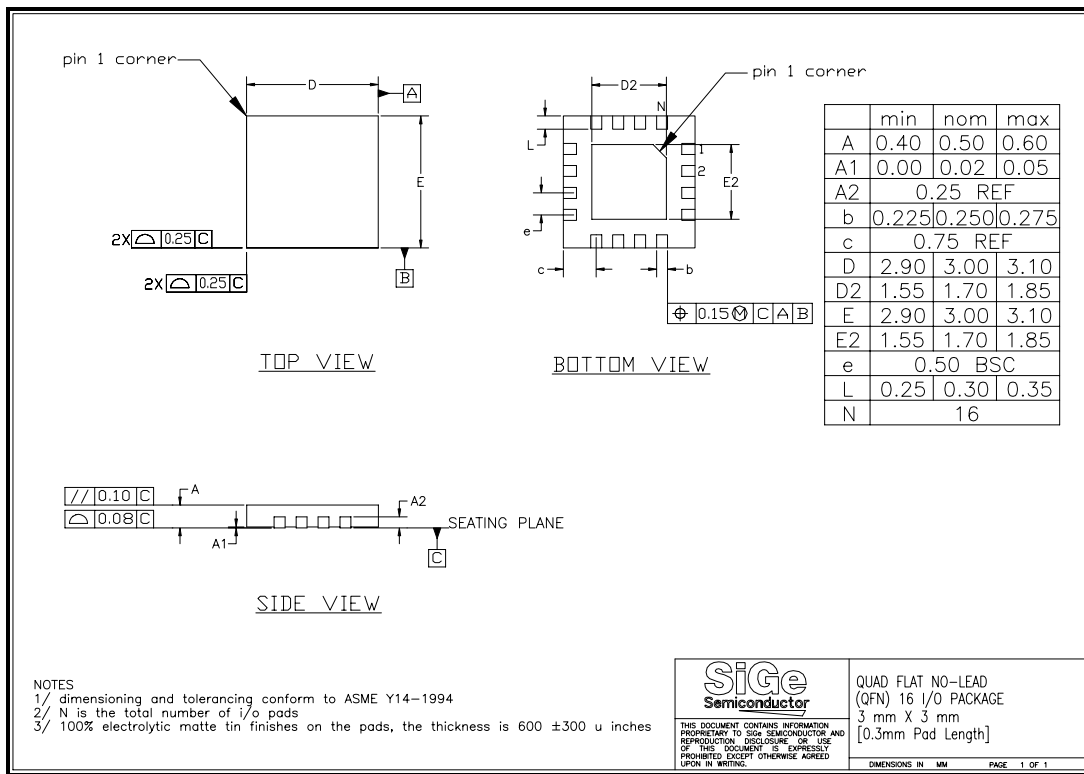


Figure 11: SE2425U Package Drawing



This page intentionally left blank.

<http://www.sige.com>

**Email:** [sales@sige.com](mailto:sales@sige.com)

**Headquarters:**

1050 Morrison Drive, Suite 100  
Ottawa ON K2H 8K7 Canada

Phone: +1 613 820 9244  
Fax: +1 613 820 4933

**Sales Locations:**

Hong Kong  
Phone: +852 3428 7222  
Fax: +852 3579 5450

San Diego  
Phone: +1 858 668 3541  
Fax: +1 858 668 3546

United Kingdom  
Phone: +44 1264 850754  
Fax: +44 1264 852601

Product Preview

The datasheet contains information from the product concept specification. SiGe Semiconductor, Inc. reserves the right to change information at any time without notification.

Preliminary Information

The datasheet contains information from the design target specification. SiGe Semiconductor, Inc. reserves the right to change information at any time without notification.

Production testing may not include testing of all parameters.

Information furnished is believed to be accurate and reliable and is provided on an "as is" basis. SiGe Semiconductor, Inc. assumes no responsibility or liability for the direct or indirect consequences of use of such information nor for any infringement of patents or other rights of third parties, which may result from its use. No license or indemnity is granted by implication or otherwise under any patent or other intellectual property rights of SiGe Semiconductor, Inc. or third parties. Specifications mentioned in this publication are subject to change without notice. This publication supersedes and replaces all information previously supplied. SiGe Semiconductor, Inc. products are NOT authorized for use in implantation or life support applications or systems without express written approval from SiGe Semiconductor, Inc.

RangeCharger™, StreamCharger™, and PointCharger™ are trademarks owned by SiGe Semiconductor, Inc.

Copyright 2006 SiGe Semiconductor, Inc.  
All Rights Reserved