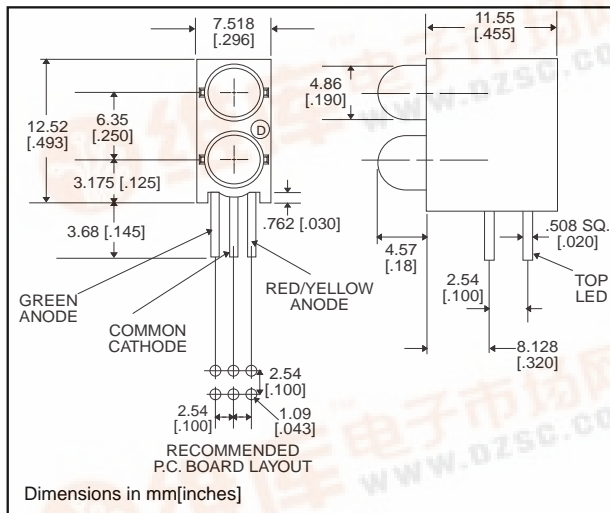


查询"552-3544"供应商

5mm LED CBI® Circuit Board Indicator 3 Leaded, Bi-Color, Bi-Level

Dialight

552-35xx



PART NO.
552-3511
552-3544

COLOR*
Red/Green
Yellow/Green

* Top-Bottom LED

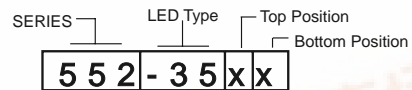
Features

- Common Cathode simplifies design, and the red/green LED provides yellow-orange as a third color
- Multiple CBIs form horizontal LED arrays on 7.62mm (0.300") center-lines.
- High Contrast, UL 94 V-0 rated, black housing
- Oxygen index: 32%
- Polymer content: PBT, 1.055 g
- Housing stand-offs facilitate PCB cleaning
- Solderability per MIL-STD-202F, method 208F
- LEDs are safe for direct viewing per IEC 825-1, EN-60825-1

Tolerance note: As noted, otherwise:

- LED Protrusion: ± 0.04 mm [± 0.016]
- CBI Housing: ± 0.02 mm [± 0.008]

PART NUMBER ORDERING CODE



0) Blank 1) Red/Green Bi-color 4) Yellow/Green Bi-color

Typical Operating Characteristics ($T_A=25^\circ\text{C}$)

See page 6-55 and 6-56 for Reference Only LED Drive Circuit Examples. See page 6-57 for Pin Out

Part Number	Color	Peak Wavelength nm	I_V mcd	V_F Volts	Test Current (mA)	Viewing Angle $2\theta_{1/2}$	LED Data sheet	Page #
552-3511	Red/Green	635/565	5/8	2.1/2.3	10	65°	521-9450	6-45
552-3544	Yellow/Green	583/565	5/8	2.1/2.1	10	65°	521-9460	6-45

See LED data sheet for additional information

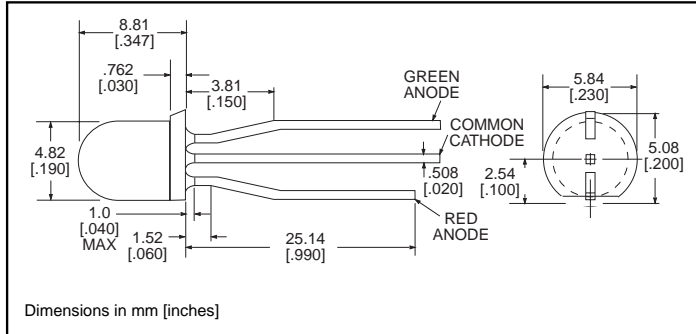
See page 6-55 and 6-56 for Reference Only LED Drive Circuit Examples. See page 6-57 for Pin Out

5mm Discrete LED

Bi-Color
3 Ledged, Non-Tinted, Diffused



521-9450, -9460



PART NO.	LED COLOR
521-9450	Red/Green
521-9460	Yellow/Green NEW

MOUNTING CLIP: 515-0004
located on page 6-48

ABSOLUTE MAXIMUM RATINGS (T_A=25°C)

	Red/Green -9450	Yellow/Green -9460
Power Dissipation (mW)	135/135	135/135
Forward Current (mA)	25/25	25/25
Derating (mA/°C) From 50°C 1. From 40°C	.5/.5	.5/.5
Peak Current (mA)	90/90	90/90
Pulse width = 10 μs		
Operating Temperature (°C)	-20/+85	-20/+85
Storage Temperature (°C)	-55/+100	-55/+100
Soldering Temperature	260°C, 5 seconds, 1.6 mm from case	

Solder Adherence per MIL-STD-202E, Method 208C

OPERATING CHARACTERISTICS (T_A=25°C)

		Red/Green -9450	Yellow/Green -9460
Luminous Intensity (mcd)	Min.	2.1/4.2	2.1/4.2
I _F =10mA	Typical	5/8	5/8
Peak Wavelength (nm)	Typical	635/565	583/565
λ Peak			
Viewing Angle (2θ ^{1/2})	Typical	65°	65°
Forward Voltage (V)	Typical	2.1/2.3	2.1/2.1
I _F =10mA	Max.	2.5/2.7	2.5/2.5

θ^{1/2} is the off axis angle at which the luminous intensity is half the axial luminous intensity

6