

16-Bit Stereo Audio DAC & Headphone Driver

Mute and Power Down Function

Component Less, Low Cost

FEATURES

- Operation range: 2.7V~5.5V
- Excellent Power Supply Rejection Ratio(PSRR)
- No pop-noise
- Mute and Power Down function
Controlled by audio input pins (BCK, WS)
- Component less
- No zero crossing distortion
- Fast setting time permits 2*, 4*, and 8* oversampling (serial input) or double speed operation at 4* oversampling
- Compatible with most of the Japanese input formats; time multiplexed, two's complement, TTL input level
- Cost efficient
- Housed in 8 pin SOP package

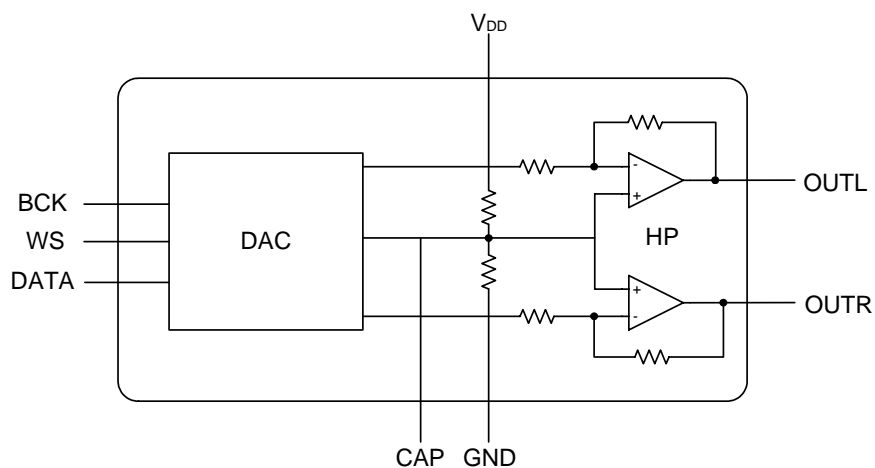
APPLICATIONS

- Multimedia system, MP3, PDA, Portable Digital Audio.

DESCRIPTION

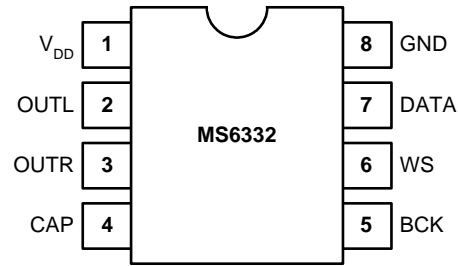
The MS6332 is an integrated 16-bits voltage-output Digital-to-Analog Converter (DAC) and class AB stereo headphone driver. The MS6332 is with the excellent Power Supply Rejection Ratio(PSRR). It is fabricated in a CMOS process and features extremely low power dissipation, small package size and easy application. The accuracy of the matched coarse current sources, combined with the unique symmetrical decoding method, preclude zero-crossing distortion and ensures high quality audio reproduction. These unique features, combined with its exceptional performance, make the MS6332 ideally suited for use in digital audio equipment.

BLOCK DIAGRAM



PIN CONFIGURATION

Symbol	Pin	Description
V _{DD}	1	Positive supply voltage
OUTL	2	Left channel output
OUTR	3	Right channel output
CAP	4	Capacitor
BCK	5	Bit clock input
WS	6	Word select input
DATA	7	Data input
GND	8	Ground



Pin 4 : Capacitor = 1uF~10uF (ripple rejection)

ORDERING INFORMATION

Package	Part number	Packaging Marking	Transport Media
8-Pin SOP	MS6332TR	MS6332	2.5k Units Tape and Reel
8-Pin SOP	MS6332U	MS6332	100 Units Tube
8-Pin SOP (lead free)	MS6332GTR	MS6332G	2.5k Units Tape and Reel
8-Pin SOP (lead free)	MS6332GU	MS6332G	100 Units Tube

ABSOLUTE MAXIMUM RATINGS

Symbol	Parameter	Rating	Unit
V _{DD}	Positive Supply Voltage	6	V
V _{ESD}	Electrostatic Handling	-3000 to 3000	V
T _{STG}	Storage Temperature Range	-65 to 150	°C
T _A	Operating Ambient Temperature Range	-40 to 85	°C
T _J	Maximum Junction Temperature	150	°C
T _S	Soldering Temperature, 10 seconds	260	°C
R _{THJA}	Thermal Resistance from Junction to Ambient in Free Air SOP8	210	°C/W

OPERATING RATINGS

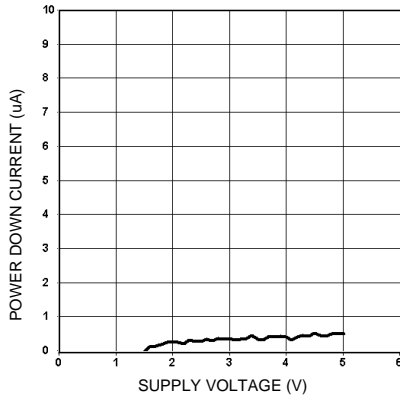
Symbol	Parameter	Min	Typ	Max	Unit
V _{DD}	Supply Voltage	2.7	-	5.5	V

3.3V ELECTRICAL CHARACTERISTICS(Ta=25°C, V_{DD}=3.3V, V_{SS}=0V, f=1kHz, R_L=32Ω; unless otherwise specified)

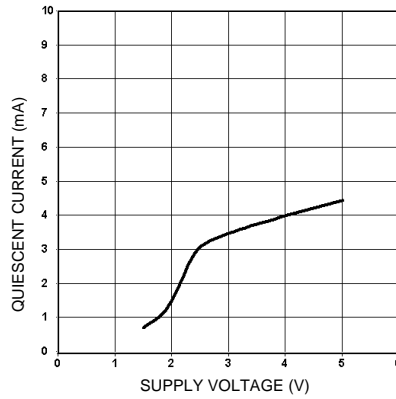
Symbol	Parameter	Conditions	Min	Typ	Max	Unit
DC Characteristics						
V _{CAP}	Voltage at CAP		1.60	1.65	1.70	V
V _{DC}	Output DC level		1.60	1.65	1.70	V
V _{FS}	Full scale output voltage	V _{FS} =0.023663* 24 *V _{DD}	-	1.87	-	V
I _Q	Quiescent current		-	3.6	4	mA
I _{PD}	Power down current	No digital input signal	-	0.35	1	uA
PSRR	Power supply rejection ratio	CAP=2.2uF (100Hz)	50	55	-	dB
		CAP=10uF (100Hz)	61	66	-	dB
CS	Channel separation		70	75	-	dB
ATT	Mute attenuation		62	67	-	dB
AC Characteristics						
Res	Resolution		-	-	16	bits
THD+N	Total harmonic distortion plus noise		-	-60	-56	dB
			-	0.1	0.158	%
S/N	Signal-to-noise ratio		86	92	-	dB
P _o	Maximum output power	(THD+N)/S < 0.1%	49	52	-	mW
V _o	Maximum output voltage swing	(THD+N)/S < 0.1%	2.5	2.6	-	V _{pp}

TYPICAL PERFORMANCE CHARACTERISTICS

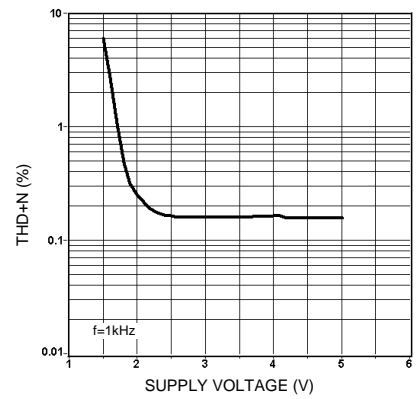
($T_a=25^{\circ}\text{C}$, $R_L=32\Omega$, sampling rate=4fs; unless otherwise specified)



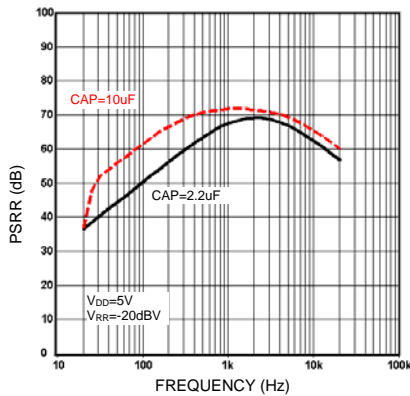
Power down current vs. supply voltage



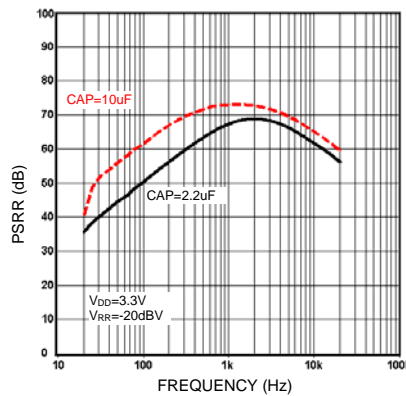
Quiescent current vs. supply voltage



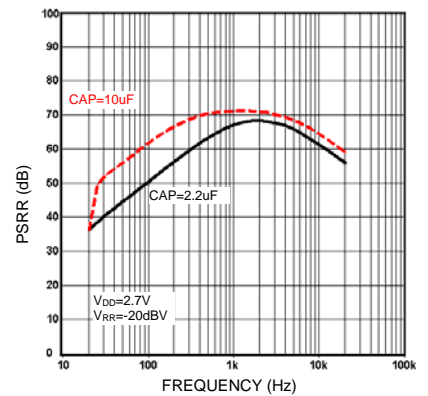
THD+N vs. supply voltage



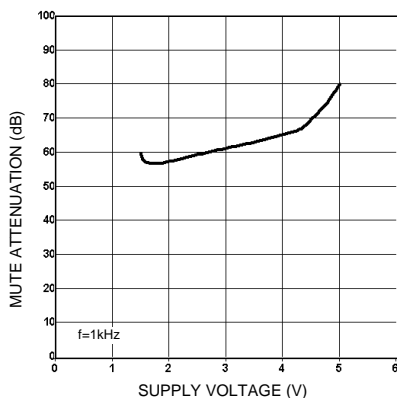
PSRR vs. frequency



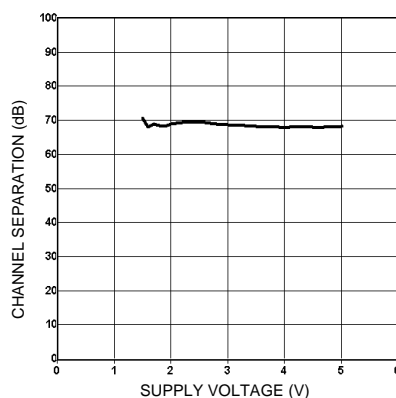
PSRR vs. frequency



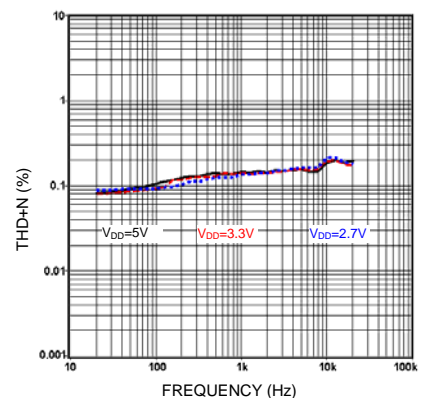
PSRR vs. frequency



Mute attenuation vs. supply voltage



Channel separation vs. supply voltage



THD+N vs. frequency

TIMING AND DATA FORMAT

The MS6332 accepts input serial data formats of 16-bit word length. Left and right data words are time multiplexed. The MSB must always be first. The format of data input is shown in Figs. 1 and 2.

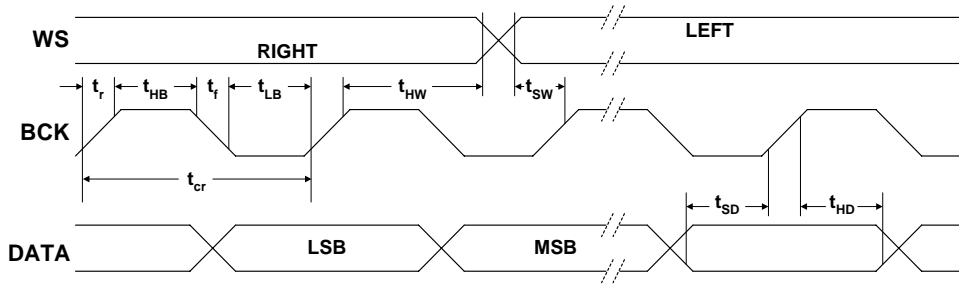


Fig.1 Timing and input signals.

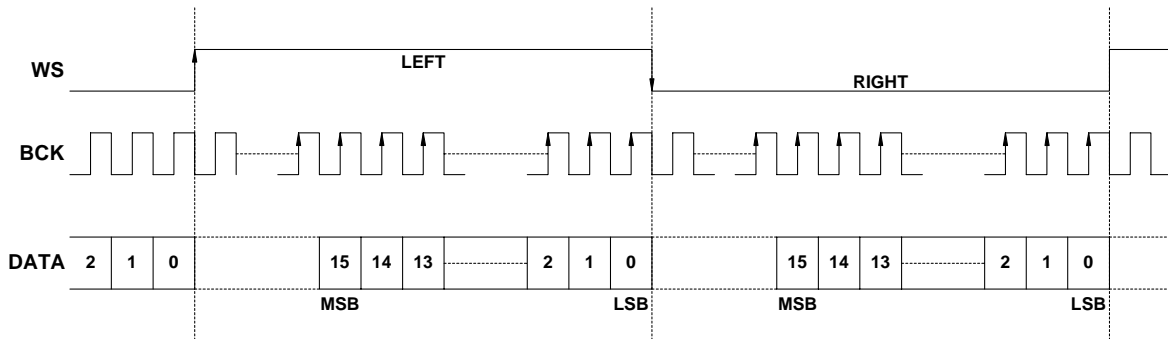


Fig.2 Format of input signals.

Data format (BCK, WS, DATA)

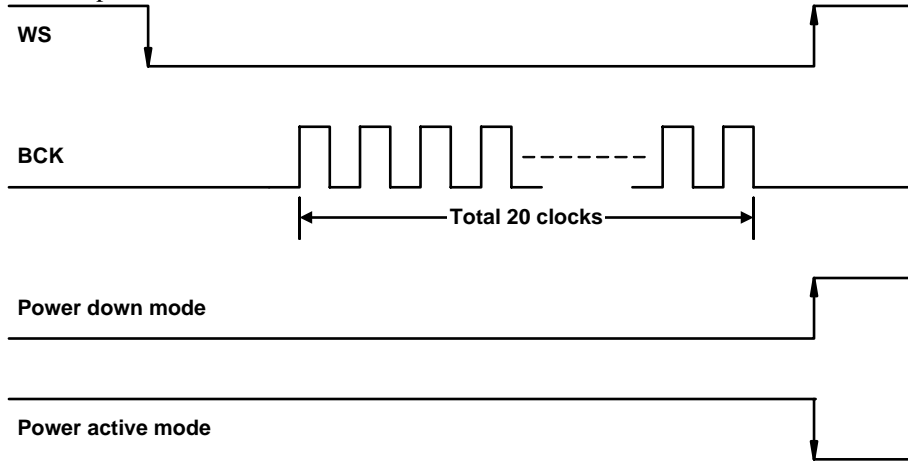
Symbol	Parameter	Conditions	Min	Typ	Max	Unit
V _{IL}	Input LOW level		-	-	0.3V _{DD}	V
V _{IH}	Input HIGH level		0.7V _{DD}	-	-	V
I _{IL}	Input Leakage Current LOW		-	-	10	μA
I _{IH}	Input Leakage Current HIGH		-	-	10	μA
f _{BCK}	Input Clock Frequency		-	-	18.4	MHz
BR	Bit Rate Data Input		-	-	18.4	Mbits/s
f _{WS}	Word Select Input		-	-	384	kHz
t _r	Rise Time		-	-	12	ns
t _f	Fall Time		-	-	12	ns
t _{cr}	Bit Clock Cycle Time		54	-	-	ns
t _{HB}	Bit Clock High Time		15	-	-	ns
t _{LB}	Bit Clock Low Time		15	-	-	ns
t _{SD}	Data Set-up Time		12	-	-	ns
t _{HD}	Data Hold Time to Bit Clock		2	-	-	ns
t _{HW}	Word Select Hold Time		2	-	-	ns
t _{SW}	Word Select Set-up Time		12	-	-	ns

POWER DOWN AND MUTE FUNCTION

Power down and mute functions are controlled by the audio input pins (WS, BCK). The initial status is in the mute on and the power down modes. The 20 clock counts is to switch the power down mode and the 18 clock counts is to switch the mute mode. In changing these modes, the clock BCK should not exist in WS=1, and always exists in WS=0.

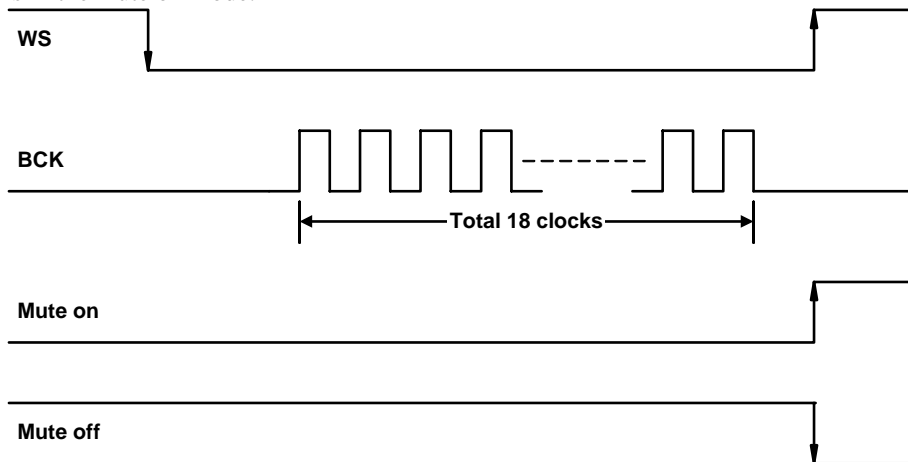
Power down timing

The initial status is in the power down mode.



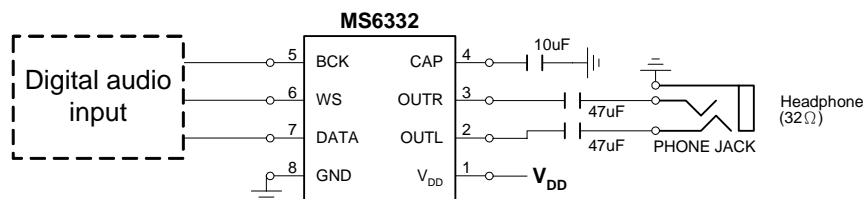
Mute timing

The initial status is in the mute on mode.



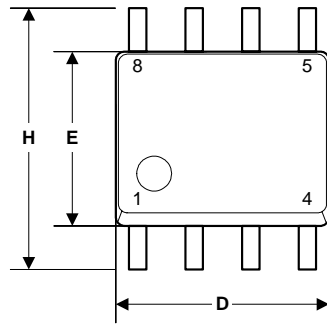
APPLICATION INFORMATION

Basic application example

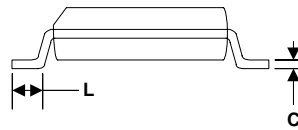
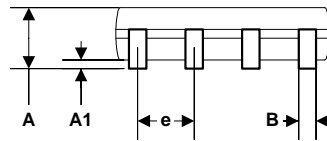


Note : $V_o=1.95V_{pp}$ at $V_{DD}=3.3V$

EXTERNAL DIMENSIONS

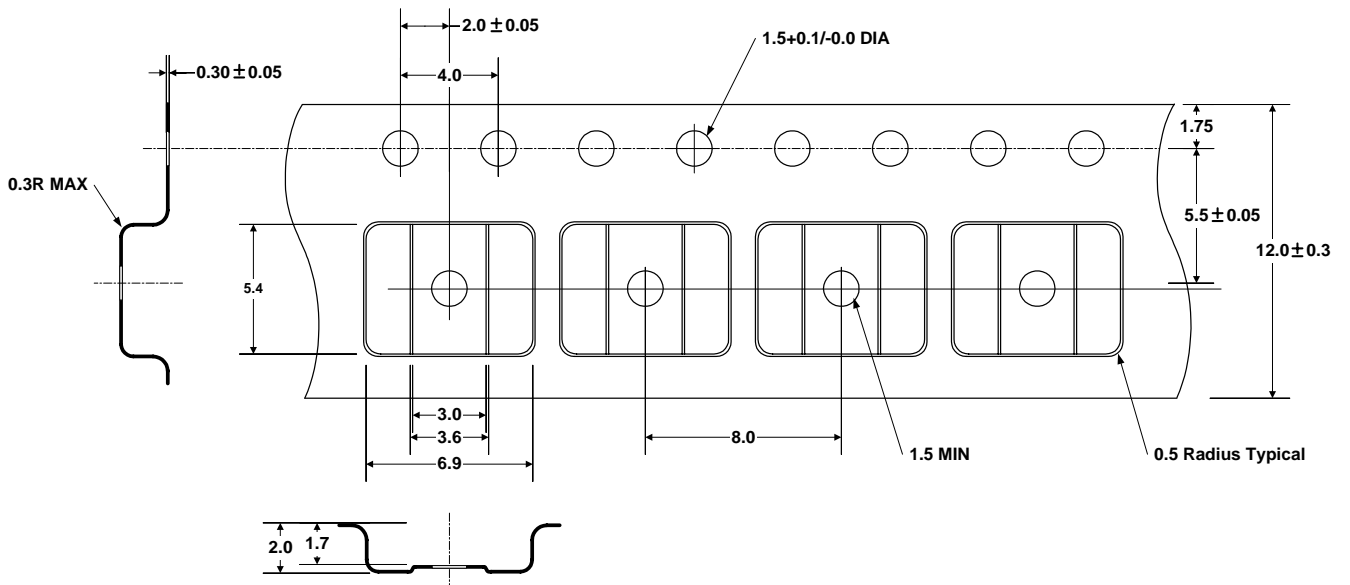


Symbol	Dimension in mm		Dimension in inch	
	Min	Max	Min	Max
A	1.35	1.75	0.0532	0.0688
A1	0.10	0.25	0.0040	0.0098
B	0.33	0.51	0.013	0.020
C	0.19	0.25	0.0075	0.0098
D	4.80	5.00	0.1890	0.1968
H	5.80	6.20	0.2284	0.2440
E	3.80	4.00	0.1497	0.1574
e	1.27 BSC		0.050 BSC	
L	0.40	1.27	0.016	0.050



SOP8

TAPE AND REEL (Unit : mm)



SOP8