

**FEATURES**

- 64 dB typical electrical gain
- 0.94 VDC voltage regulator
- 7 ms attack time, 40 ms release time
- 15 dB threshold adjustment
- low noise and distortion
- compression ratio  $\infty : 1$
- 0.3 kHz - 6 kHz frequency response

**STANDARD PACKAGING**

- 10 pin MICROpac
- 10 pin MINIpac
- 10 pin PLID<sup>®</sup>
- 10 pin SLT
- Chip (59 x 59 mils)  
Au Bump

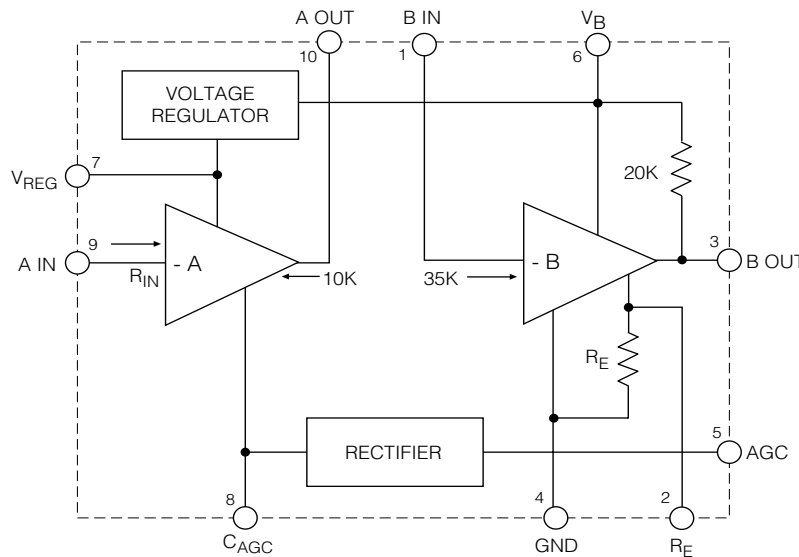
**DESCRIPTION**

The LD511 is a Class A compression amplifier which can operate over a range of DC battery voltages from 1.1 V to 2.4 V. A voltage regulator, which is independent of supply voltage variations, is on-chip to supply a stable 0.94 VDC bias to the amplifier circuitry and to the microphone.

The LD511, in compression, has approximately 15 dB of threshold adjustment by varying  $R_{TH}$  (see application circuit) and a compression function ratio of  $\infty : 1$ .

Minimum attack and release times are fixed at 7 ms and 40 ms respectively and they can be adjusted simultaneously by changing the filter capacitor on pin 8, although the ratio of attack to release time is kept constant.

The output stage bias can be set to accommodate different receiver impedances by changing the value of  $R_E$ . The voltage across  $R_E$  (pin 2 to ground) is a constant 27 mV so the bias current is 27 mV divided by the total value of  $R_E$  in parallel with 500  $\Omega$ .



All resistors in ohms, all capacitors in farads unless otherwise stated

**BLOCK DIAGRAM**

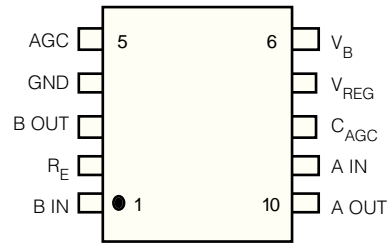
# ABSOLUTE MAXIMUM RATINGS

[查询"LD511"供应商](#)

PARAMETER	VALUE/UNITS
Supply Voltage	2.4 V DC
Power Dissipation	25 mW
Operating Temperature Range	-10°C to 40° C
Storage Temperature Range	-20°C to 70° C

**CAUTION**  
CLASS 1 ESD SENSITIVITY

# PIN CONNECTION



# ELECTRICAL CHARACTERISTICS

Conditions: Frequency = 1 kHz, Temperature = 25°C, Supply Voltage  $V_B = 1.3$  VDC

PARAMETER	SYMBOL	CONDITIONS	MIN	TYP	MAX	UNITS
COMPRESSION INACTIVE (S1 OPEN)						
Gain	$A_V$		60	64	68	dB
Input Referred Noise	IRN	NFB 0.2 - 10kHz at 12 dB/oct	-	2.0	4.0	$\mu$ V
Total Harmonic Distortion	THD		-	1	3	%
Amplifier Current	$I_{AMP}$		-	0.4	0.6	mA
Transducer Current	$I_{TRANS}$		1.35	1.6	2.0	mA
Input Impedance	$R_{IN}$		-	15	-	k $\Omega$
Regulated Voltage	$V_{REG}$		0.90	0.96	1.0	VDC
On Chip Emitter Resistance	$R_E$		-	500	-	$\Omega$
Emitter Bias Voltage (pin 2)	$V_{RE}$		-	27	-	mV
COMPRESSION ACTIVE (S1 CLOSED)						
Compression Range			-	$\infty$	-	dB
Total Harmonic Distortion	$THD_{COMP}$	$V_2 = 1$ mV	-	4.0	7.0	%
Attack Time	$T_{ATT}$	$V_2$ switched from 112 $\mu$ V to 2 mV	-	7	-	ms
Release Time	$T_{REL}$		-	40	-	ms
Compression Output	$V_{COMPOUT}$	$V_2 = 1$ mV	-	0.10	0.18	V <sub>RMS</sub>
Compression Output Change	$\Delta V_{COMPOUT}$	$V_2 = 120$ mV; Note 1	-	13	20	mV <sub>RMS</sub>

All parameters and switches remain as shown in Test Circuit unless otherwise stated in CONDITIONS column

**Notes:** 1.  $\Delta V_{COMPOUT} = V_{OUT}[V_2 = 120mV] - V_{COMPOUT}$

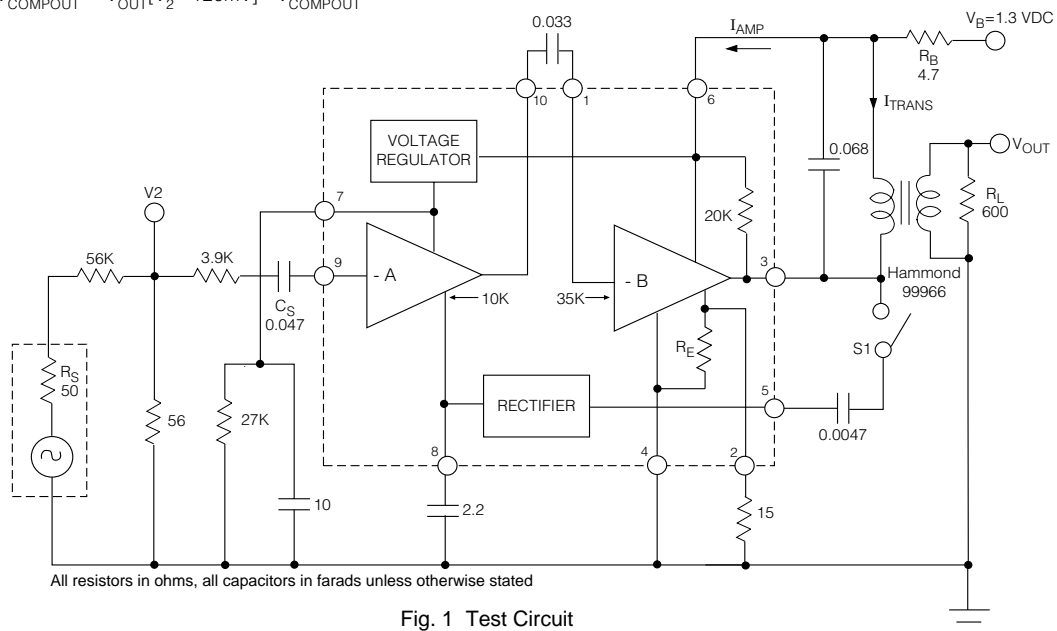


Fig. 1 Test Circuit

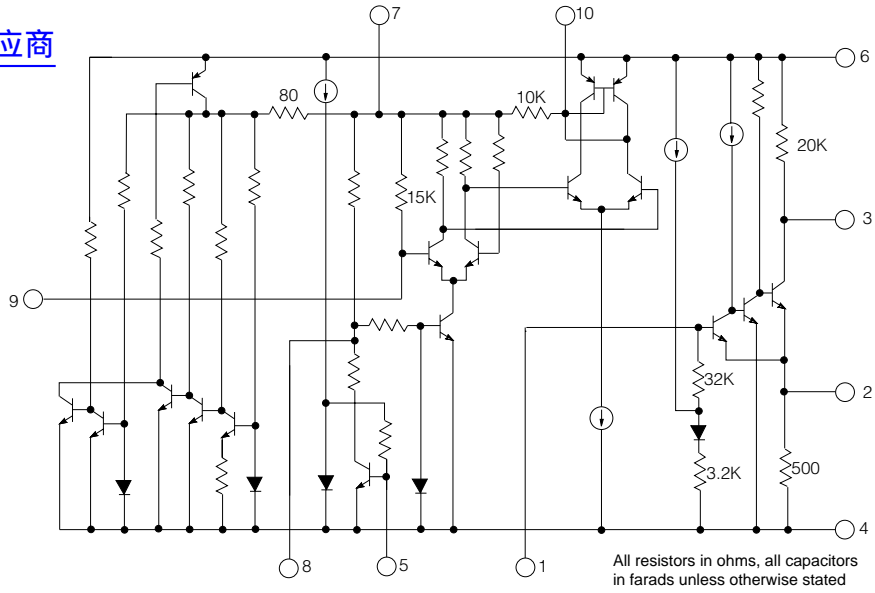


Fig. 2 Functional Schematic

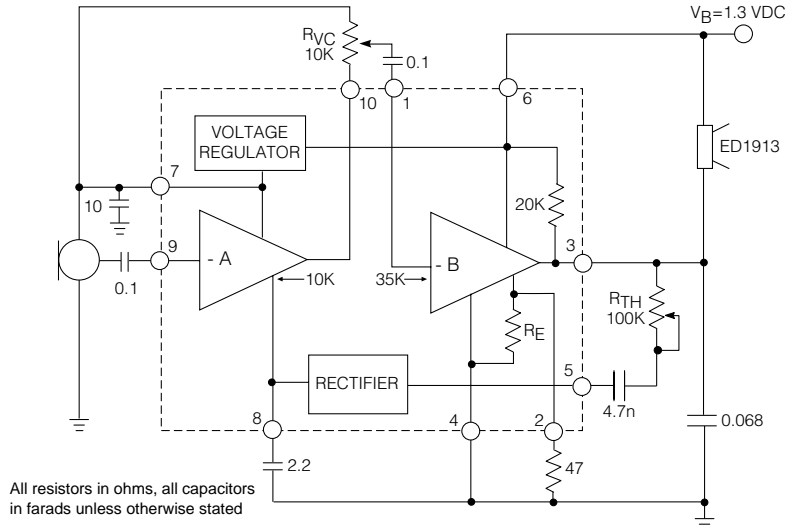


Fig. 3 LD511 Stand Alone Application Circuit

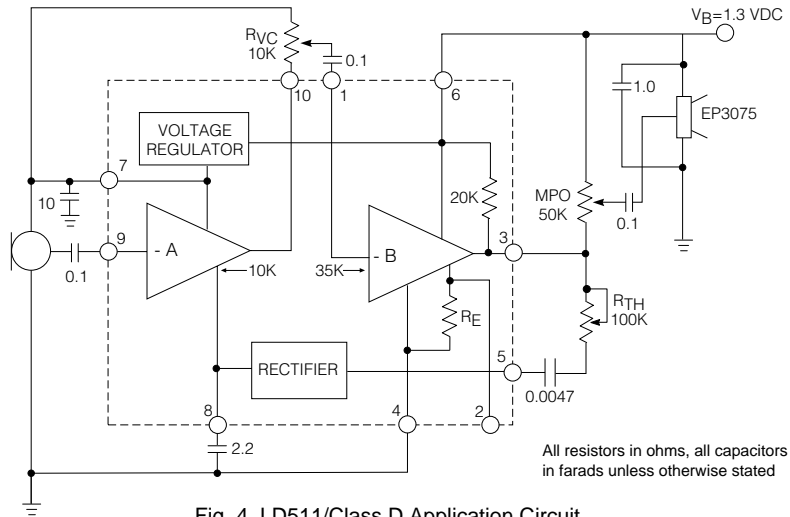


Fig. 4 LD511/Class D Application Circuit

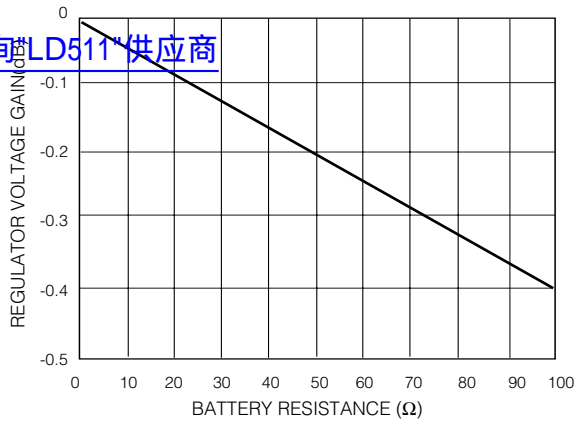


Fig. 5 Voltage Gain vs Battery Resistance

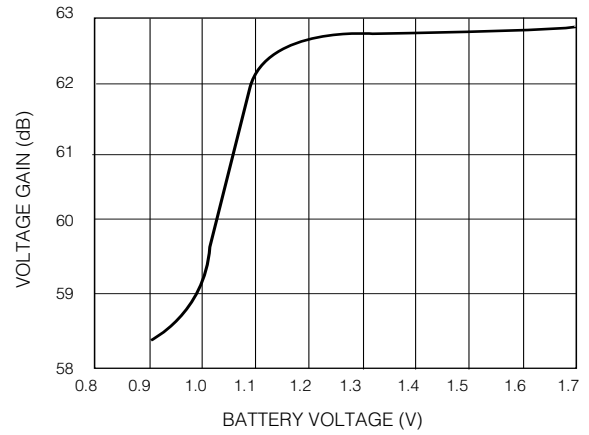


Fig. 6 Voltage Gain vs Battery Voltage

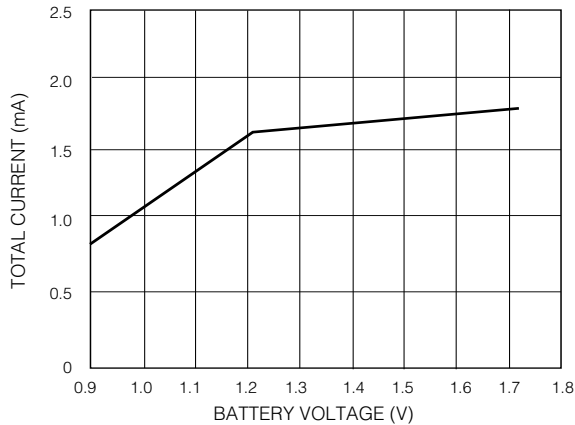


Fig. 7 Total Current vs Battery Voltage

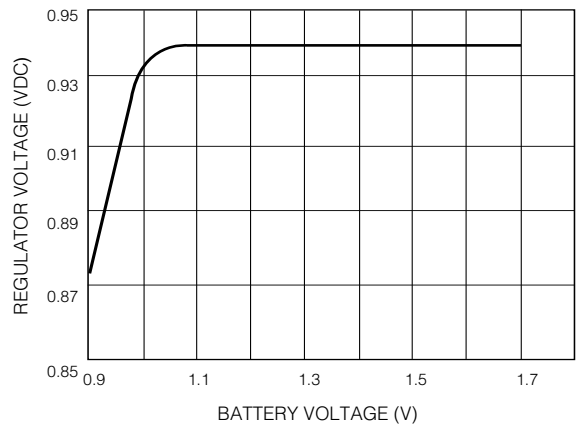


Fig. 8 Regulator Voltage vs Battery Voltage

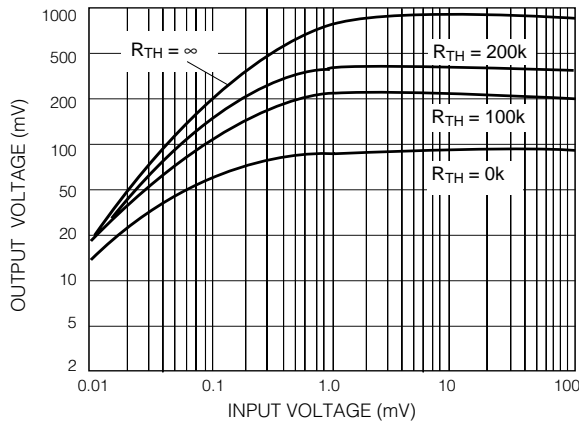


Fig. 9 Threshold Adjustment

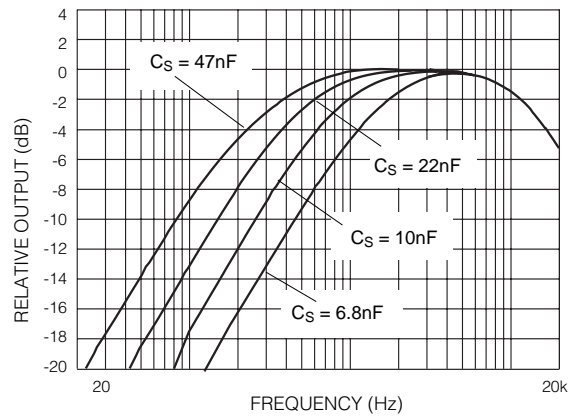


Fig. 10 Frequency Response at Various  $C_S$  Values

GENNUM CORPORATION  
 MAILING ADDRESS:  
 P.O. Box 489, Stn. A, Burlington, Ontario, Canada L7R 3Y3  
 Tel. +1 (905) 632-2996 Fax +1 (905) 632-2814  
 SHIPPING ADDRESS:  
 970 Fraser Drive, Burlington, Ontario, Canada L7L 5P5

GENNUM JAPAN CORPORATION  
 C-101, Miyamae Village, 2-10-42 Miyamae, Suginami-ku, Tokyo 168-0081,  
 Japan Tel. +81 (3) 3334-7700 Fax: +81 (3) 3247-8839

**DOCUMENT IDENTIFICATION:** DATA SHEET  
 The product is in production. Gennum reserves the right to make changes at any time to improve reliability, function or design, in order to provide the best product possible.

**REVISION NOTES:**  
 Changes to standard packaging information