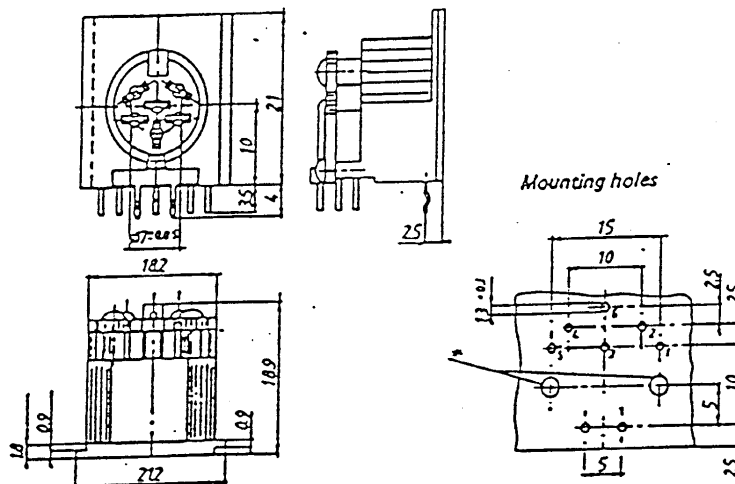


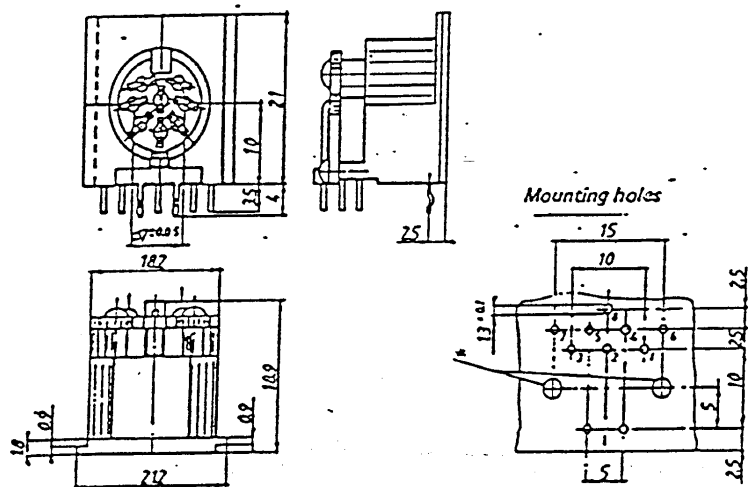
查询"2598"供应商

DIN PRINTED CIRCUIT MOUNTED SOCKETS
RIGHT ANGLE

Type : 290-373
290-397



Type : 290-403
290-415



INSULATING BODY
WORKING TEMPERATURE

THERMOPLASTIC
-30° TO 80°

CONTACTS
MAX CURRENT PER CONTACT
WORKING VOLTAGE
CONTACT RESISTANCE

TIN PLATED COPPER ALLOY
4 AMPS
34(DC) 24V (AC)
10mOHM