

# VIDEO DELAY LINES VIDEO DELAY LINES VIDEO

T-47-21

查询"0407E"供应商

Used by most of the worlds major television studios and broadcast equipment manufacturers.

## Fixed video delay lines

	5.5MHz		Total Delay (ns)	Impedance Ω	10MHz	
	Order Code	Order Code			Insertion Loss (dB)	Insertion Loss (dB)
0600B Series Outline 1	1101200200	1101200201	120	75Ω	<0.50	<1.0
	1101300200	1101300201	130	75Ω	<0.50	<1.0
	1101400200	1101400201	140	75Ω	<0.50	<1.0
	1101500200	1101500201	150	75Ω	<0.50	<1.0
	1101550200	1101550201	155	75Ω	<0.50	<1.0
	1101600200	1101600201	160	75Ω	<0.50	<1.0
	1101700200	1101700201	170	75Ω	<0.50	<1.0
	1101800200	1101800201	180	75Ω	<0.50	<1.0
	1101900200	1101900201	190	75Ω	<0.50	<1.0
	1102000200	1102000201	200	75Ω	<0.50	<1.0
	0600H Series Outline 2	1103000200	1103000201	300	75Ω	<0.80
1104000200		1104000201	400	75Ω	<0.90	<1.5
1105000200		1105000201	500	75Ω	<1.5	<1.5
0600J Series Outline 3	1106000200	1106000201	600	75Ω	<1.5	<3.5
	1107000200	1107000201	700	75Ω	<1.8	<3.5
	1108000200	1108000201	800	75Ω	<1.9	<4.5
	1109000200	1109000201	900	75Ω	<2.3	<4.5
	1110000200	1110000201	1000	75Ω	<2.5	<4.5

Delay Tolerance ±2%  
 Amplitude/Frequency Response ±0.1 dB to 5.5 MHz w.r.t. 100 kHz  
 ±0.2 dB to 5.5 MHz to 8 MHz w.r.t. 100 kHz  
 <1 dB 8 MHz to 10 MHz w.r.t. 100 kHz  
 Ripple <0.1 dB to 5.5 MHz  
 <0.15 dB 5.5 MHz to 10 MHz  
 Group Delay ±5ns 4.43 MHz  
 ±20ns 4.43 MHz to 10 MHz  
 Return Loss ≥25 dB to 5.5 MHz  
 ≥20 dB 5.5 MHz to 10 MHz  
 Operating Temperature 0°C to +70°C  
 Storage Temperature -50°C to +125°C  
 Operating Voltage 30 volts DC Max.  
 Insulation Resistance 100 Megohms at 100 volts DC

## Programmable video delay lines

	Order Code	Total Delay (ns)	Main Section Delay (ns)	Impedance Ω	Bandwidth (MHz)	Insertion Loss (dB)	Return Loss (dB)
0600G SERIES OUTLINE 4	1201150200	115	40	75Ω	5.5	<0.5	25
	1201350200	135	60	75Ω	5.5	<0.5	25
	1201550200	155	80	75Ω	5.5	<0.5	25
0600V SERIES OUTLINE 6	1201550206	155	40 + 40	75Ω	5.5	<0.5	25
	1201950206	195	60 + 60	75Ω	5.5	<0.5	25
	1202350206	235	80 + 80	75Ω	5.5	<0.5	25

Sectional Delay Tolerance 80 ns ± 2 ns  
 40 ns ± 2 ns  
 20 ns ± 2 ns  
 -0 ns  
 10 ns + 3 ns  
 -0 ns  
 5 ns + 3 ns  
 -0 ns  
 Amplitude/Frequency Response ±0.1 dB to 5.5 MHz w.r.t. 100 kHz  
 Ripple <0.1 dB to 5.5 MHz  
 Return Loss ≥25 dB to 5.5 MHz  
 Group Delay ±5 ns to 4.43 MHz  
 Operating Temperature 0°C to +70°C  
 Storage Temperature -50°C to +125°C  
 Operating Voltage 30 volts DC max.  
 Insulation Resistance 100 Megohms at 100 volts DC

# PULSE DELAY LINES PULSE DELAY LINES PULSE DELAY

### Tapped

0390 SERIES

CASE OUTLINE 5

Order Code	Total Delay (ns)	Impedance Ω	Max. Rise Time (ns)
2300250208	25	75Ω	5
2300400208	40	75Ω	8
2300500208	50	75Ω	10
2300750208	75	75Ω	15
2301000208	100	75Ω	20
2301500208	150	75Ω	30
2303000208	300	75Ω	60
2300500608	50	270Ω	10
2300750608	75	270Ω	15
2301000608	100	270Ω	20
2301500608	150	270Ω	30
2302000608	200	270Ω	40
2302500608	250	270Ω	50
2305000608	500	270Ω	100
2300500708	50	500Ω	10
2300750708	75	500Ω	15
2301000708	100	500Ω	20
2301500708	150	500Ω	30
2302000708	200	500Ω	40
2302500708	250	500Ω	50

### Programmable

Order Code	Total Delay	Sections	Impedance	Max. Rise Time
2201550208	155 ns	5 10 20 40 80 ns	75Ω	35 ns
2206200208	620 ns	20, 40, 80, 160, 320 ns	75Ω	125 ns

CASE OUTLINE 4

Order Code	Total Delay	Sections	Impedance	Max. Rise Time
0407 E	1500 ns	100 + 200 + 400 + 800 ns	75Ω	180 ns

CASE OUTLINE 7

| 9000-2202



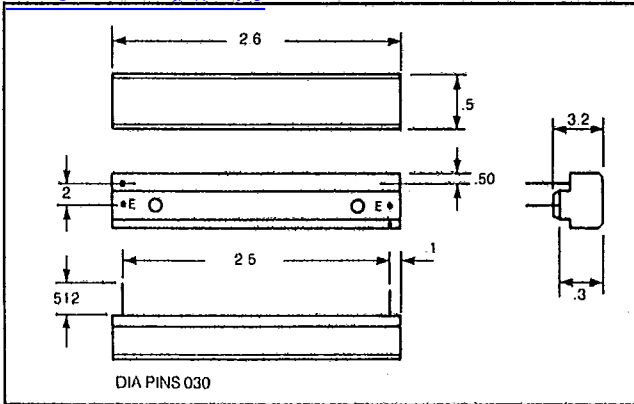
PULSE DELAY LINES PULSE DELAY LINES PULSE DELAY

G116225 MICROSONICS INC

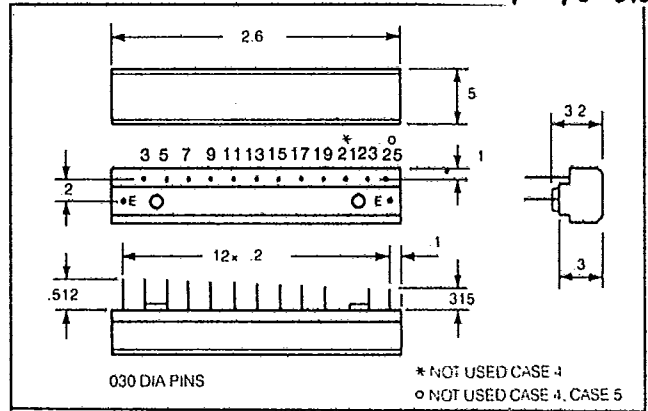
97D 00251 D

B-47-17  
T-90-20

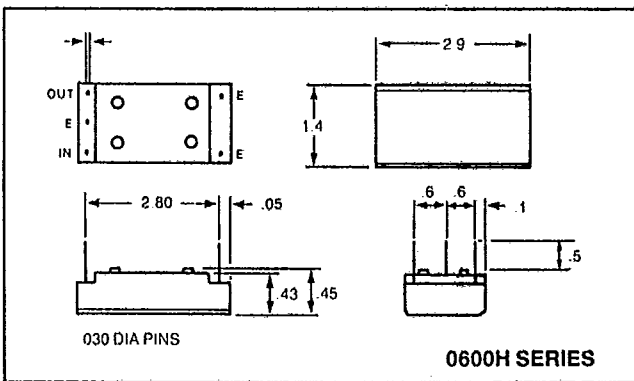
查询"0407E"供应商



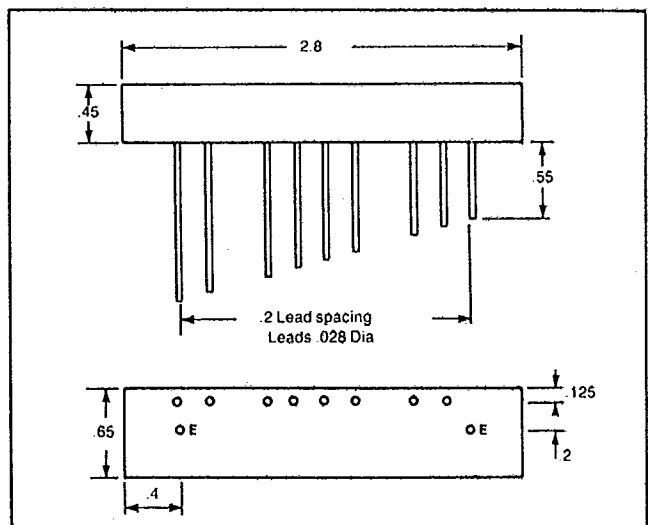
Case 1



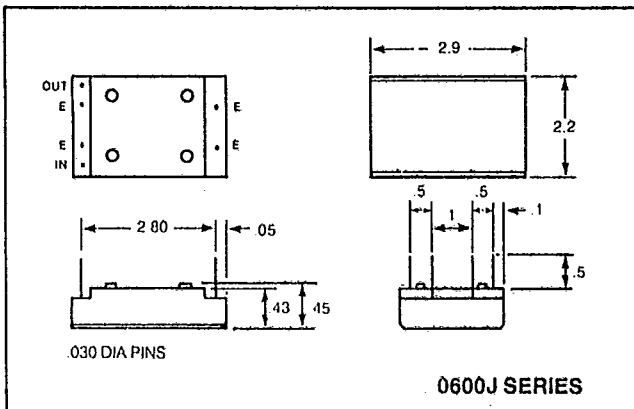
Case 4, 5, 6



Case 2



Case 7



Case 3