

DATA SHEET

TN26/15/20 Ferrite toroids

Supersedes data of September 2004

2008 Sep 01

Ferrite toroids

TN26/15/20

RING CORES (TOROIDS)

Effective core parameters

| SYMBOL | PARAMETER | VALUE | UNIT |
|---------------|------------------|-------|------------------|
| $\Sigma(l/A)$ | core factor (C1) | 0.538 | mm ⁻¹ |
| V_e | effective volume | 6720 | mm ³ |
| l_e | effective length | 60.1 | mm |
| A_e | effective area | 112 | mm ² |
| m | mass of set | ≈ 34 | g |

Coating

The cores are coated with polyamide 11 (PA11), flame retardant in accordance with "UL 94V-2"; UL file number E 45228 (M).

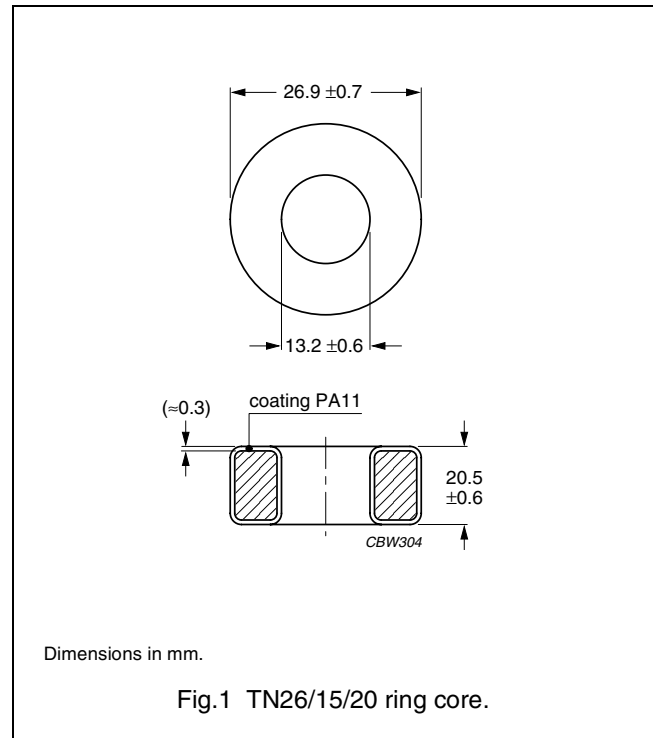
The colour is white.

Maximum operating temperature is 160 °C.

Isolation voltage

DC isolation voltage: 2000 V.

Contacts are applied on the edge of the ring core, which is also the critical point for the winding operation.



Ring core data

| GRADE | A_L (nH) | μ_i | TYPE NUMBER |
|-------------------------|-------------|---------|-----------------|
| 3C90 <small>des</small> | 5400 ± 25% | ≈ 2300 | TN26/15/20-3C90 |
| 3C11 | 10000 ± 25% | ≈ 4300 | TN26/15/20-3C11 |
| 3E25 | 12800 ± 25% | ≈ 5500 | TN26/15/20-3E25 |

Properties of cores under power conditions

| GRADE | B (mT) at | CORE LOSS (W) at | |
|-------|---|--|---|
| | H = 250 A/m; f = 25 kHz; T = 100 °C | f = 25 kHz; \hat{B} = 200 mT; T = 100 °C | f = 100 kHz; \hat{B} = 100 mT; T = 100 °C |
| 3C90 | ≥320 | ≤ 0.75 | ≤ 0.75 |

Ferrite toroids

TN26/15/20




DATA SHEET STATUS DEFINITIONS

| DATA SHEET STATUS | PRODUCT STATUS | DEFINITIONS |
|---------------------------|----------------|--|
| Preliminary specification | Development | This data sheet contains preliminary data. Ferroxcube reserves the right to make changes at any time without notice in order to improve design and supply the best possible product. |
| Product specification | Production | This data sheet contains final specifications. Ferroxcube reserves the right to make changes at any time without notice in order to improve design and supply the best possible product. |

DISCLAIMER

Life support applications — These products are not designed for use in life support appliances, devices, or systems where malfunction of these products can reasonably be expected to result in personal injury. Ferroxcube customers using or selling these products for use in such applications do so at their own risk and agree to fully indemnify Ferroxcube for any damages resulting from such application.

PRODUCT STATUS DEFINITIONS

| STATUS | INDICATION | DEFINITION |
|------------------|---|--|
| Prototype |  | These are products that have been made as development samples for the purposes of technical evaluation only. The data for these types is provisional and is subject to change. |
| Design-in |  | These products are recommended for new designs. |
| Preferred | | These products are recommended for use in current designs and are available via our sales channels. |
| Support |  | These products are not recommended for new designs and may not be available through all of our sales channels. Customers are advised to check for availability. |

This datasheet has been downloaded from:

www.EEworld.com.cn

Free Download

Daily Updated Database

100% Free Datasheet Search Site

100% Free IC Replacement Search Site

Convenient Electronic Dictionary

Fast Search System

www.EEworld.com.cn