

# KR Electronics

## General Description

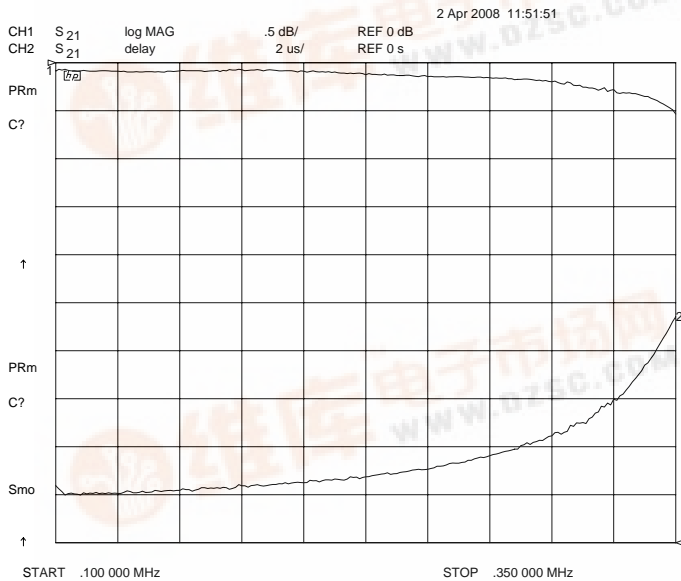
KR 2827 is a 350 KHz lowpass filter. The filter has a minimum 1.5 dB bandwidth of 350 KHz and greater than 30 dB at 400 KHz. Other passband frequencies are available. Please consult the factory.

## Features

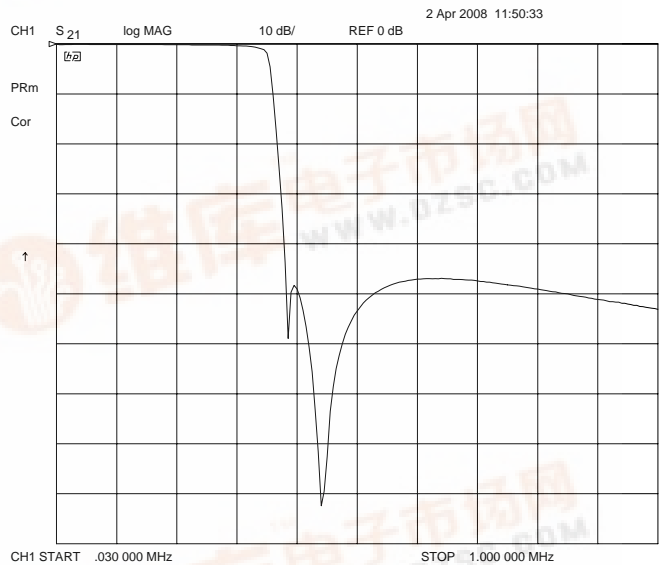
- 350 KHz Lowpass
- SMA Connectors
- 50 Ω Source and Load

## Typical Performance

### Passband Amplitude & Group Delay (0.5 dB/div & 2 usec/div)



### Overall Response (10 dB/div)



KR Electronics, Inc.  
91 Avenel Street  
Avenel, NJ 07001

Web www.krfilters.com  
Email sales@krfilters.com  
Phone (732) 636-1900  
Fax (732) 636-1982

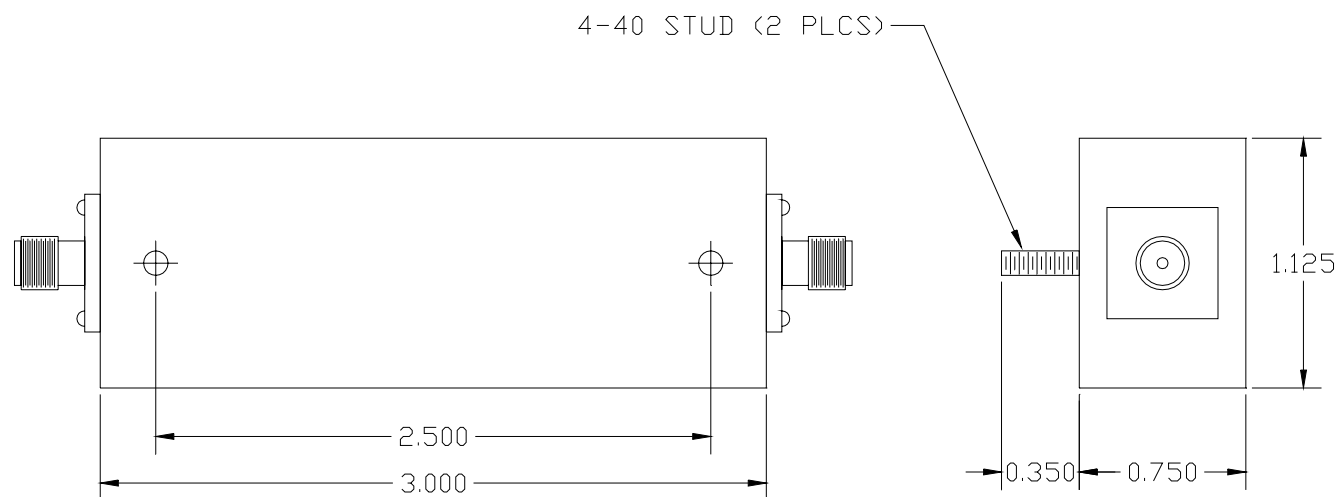


# KR Electronics 2827

## Specifications

Parameter	Specification
Filter type	Lowpass
End of Passband <1.5 dB ( 0.5 dB typical)	350 KHz
Start of Stopband >30 dB (>45 typical)	400 KHz
Source and Load	50 $\Omega$

## Physical Dimensions



**Notes:**

1. Dimensions in inches
2. SMA(f) connectors 2 plcs