

SIMM Series Input Modules

- * 6.2 mm wide and 65 mm deep
- * DIN Rail mounted
- * LED input status indicator
- * Bridges enable quick linking of common voltage
- * Identification zone on front face
- * IP20



Part numbers

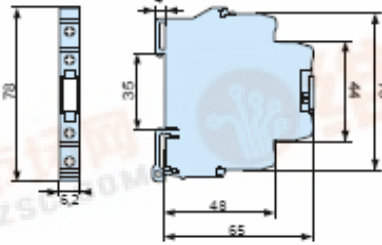
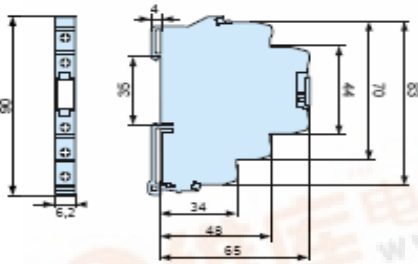
	84145061	84145062	84145064	84145066	84145071
Input Characteristics (at ambient 25 C°)					
Nominal voltage	24Vac/dc	24Vac/dc	120	240	5 - 28
Operating voltage range	19.2-30Vac/dc	19.2-30Vac/dc	95-121Vac/dc	195-253Vac/dc	19.2-30Vac/dc
Max input current	20 mA	20 mA	5 mA	5 mA	20 mA
Output characteristics (at ambient 25 C°)					
Max Voltage	30Vac/36Vdc	30Vac/36Vdc	30Vac/36Vdc	30Vac/36Vdc	30Vac/36Vdc
Max current	50 mA	50 mA	50 mA	50 mA	50 mA
General characteristics					
Operating temperature range	-25 to 60°C	-25 to 60°C	-25 to 60°C	-25 to 60°C	-25 to 60°C
Storage temperature range	-40 to 80°C	-40 to 80°C	-40 to 80°C	-40 to 80°C	-40 to 80°C
Turn-On time	8 ms	8 ms	8 ms	8 ms	8 ms
Turn-Off time	10 ms	10 ms	10 ms	10 ms	10 ms
Switching frequency	10 Hz	10 Hz	10 Hz	10 Hz	10 Hz
Mechanical Life (operations)	> 10 x 10 ⁶	> 10 x 10 ⁶	> 10 x 10 ⁶	> 10 x 10 ⁶	> 10 x 10 ⁶
Electrical Life (number of operation)	6 x 10 ⁶	6 x 10 ⁶	6 x 10 ⁶	6 x 10 ⁶	6 x 10 ⁶
Weight	1.23 oz	1.23 oz	1.23 oz	1.23 oz	1.23 oz
Contact Material	AgSnO2 gold plated				
Contact Arrangement	SPDT	SPDT	SPDT	SPDT	SPST (N.O.)

Note: Exceeding the value given for the output relay current will remove the gold plating from the contacts and therefore we cannot guarantee correct operation at low currents.

Dimensions:

SPDT

SPST



Wiring Diagram and Thermal Curves:

84145061 / 062 / 064 / 066



84145071



84145050

Front Panel marker (88 per bag)



84145051

2 Pole "Common" Jumper



84145052

10 position jumper - Blue



84145053

10 position jumper - Red



SIMM Series Output Modules

- * 6.2 mm wide and 65 mm deep
- * DIN Rail mounted
- * LED input status indicator
- * Bridges enable quick linking of common voltage
- * Identification zone on front face
- * IP20



Part numbers

	84145001	84145004	84145005	84145010	84145011	84145015
Input Characteristics (at ambient 25 C°)						
Nominal voltage	24Vdc	110Vac/dc	230Vac	5Vdc	24Vdc	230Vac
Operating voltage range	10-44Vdc	70-130Vac/dc	90-230Vac	4-5.5Vdc	10-44Vdc	90-230Vac
Max input current	6 mA	7 mA	8.5 mA	6 mA	6 mA	7mA
Drop out voltage	5Vdc	30Vac/dc	40Vac	2Vdc	3Vdc	40Vac

Output Characteristics (at ambient 25 C°)

Operating voltage range	5-48Vdc	5-48Vdc	5-48Vdc	5-48Vdc	5-48Vdc	5-48Vdc
Max current	0.5A	0.5A	0.5A	2A	2A	2A
Output Type	Transistor	Transistor	Transistor	Transistor	Transistor	Transistor

General Characteristics

Operating temperature range	-20 to 60°C	-20 to 60°C	-20 to 60°C	-20 to 60°C	-20 to 60°C	-20 to 60°C
Storage temperature range	-40 to 80°C	-40 to 80°C	-40 to 80°C	-40 to 80°C	-40 to 80°C	-40 to 80°C
Turn-On time	20 us	30 ms	45 ms	1 ms	1 ms	1 ms
Turn-Off time	100 us	20 ms	15 ms	5 ms	5 ms	10 ms
Switching frequency	1k Hz	10 Hz	10 Hz	10 Hz	10 Hz	10 Hz
Weight	1.13 oz	1.13 oz	1.13 oz	1.06 oz	1.06 oz	1.06 oz

Part numbers

	84145020	84145021	84145024	84145025	84145031
Input Characteristics (at ambient 25 C°)					
Nominal voltage	5Vdc	24Vdc	110Vac/dc	230Vac	24Vdc
Operating voltage range	4-6.2Vdc	10-44Vdc	70-130Vac/dc	140-250Vac	10-44Vdc
Max input current	6mA	6mA	6mA	7mA	6 mA
Drop out voltage	2Vdc	3Vdc	35Vac/dc	80Vac	3Vdc

Output Characteristics (at ambient 25 C°)

Operating voltage range	24-250Vac	24-250Vac	24-250Vac	24-250Vac	24-250Vac
Max current	0.5A	0.5A	0.5A	0.5A	1A
Output Type	Triac	Triac	Triac	Triac	Triac

General Characteristics

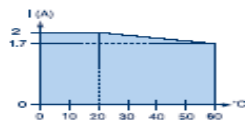
Operating temperature range	-20 to 60°C	-20 to 60°C	-20 to 60°C	-20 to 60°C	-20 to 60°C
Storage temperature range	-40 to 80°C	-40 to 80°C	-40 to 80°C	-40 to 80°C	-40 to 80°C
Turn-On time	10 ms	10 ms	10 ms	10 ms	8.33 ms
Turn-Off time	10 ms	10 ms	10 ms	10 ms	8.33 ms
Switching frequency	20 Hz	20 Hz	20 Hz	20 Hz	20 Hz
Weight	1.13 oz	1.13 oz	1.13 oz	1.13 oz	.95 oz

Derating Curves:

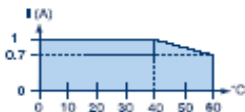
84145001 / 004 / 005
84145010 / 011 / 015



84145010 / 011 / 015



84145031



84145001 / 004 / 005
84145020 / 021 / 024 / 025



84145020 / 021 / 024 / 025

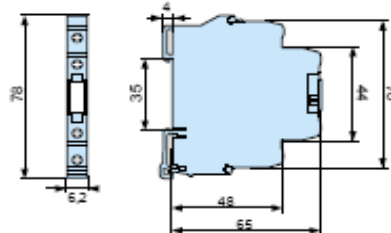


84145031



Dimensions:

Solid State Output:



SIMM Series Output Modules

- * 6.2 mm wide and 65 mm deep
- * DIN Rail mounted
- * LED input status indicator
- * Bridges enable quick linking of common voltage
- * Identification zone on front face
- * IP20



Part numbers

84145041 84145042 84145043 84145046

Input Characteristics (at ambient 25 C°)

Nominal voltage	24Vdc	24Vac/dc	110Vac/dc	230Vac
Operating voltage range	19.2-30Vdc	19.2-30Vac/dc	95-125Vac/dc	195-253Vac/dc
Max input current	20 mA	20 mA	5 mA	6

Output Characteristics (at ambient 25 C°)

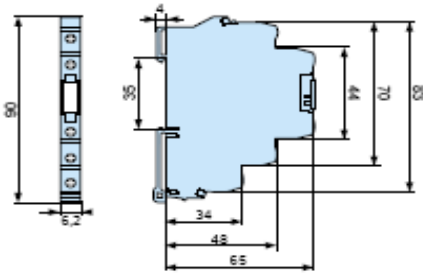
Operating voltage range	1-250Vac	1-250Vac	1-250Vac	1-250Vac
Max current	6A	6A	6A	6A

General Characteristics

Operating temperature range	-25 to 60°C	-25 to 60°C	-25 to 60°C	-25 to 60°C
Storage temperature range	-40 to 80°C	-40 to 80°C	-40 to 80°C	-40 to 80°C
Turn-On time	8 ms	8 ms	8 ms	8 ms
Turn-Off time	10 ms	10 ms	10 ms	10 ms
Switching frequency	10 Hz	10 Hz	10 Hz	10 Hz
Mechanical Life (operations)	> 10 x 10 ⁶	> 10 x 10 ⁶	> 10 x 10 ⁶	> 10 x 10 ⁶
Electrical Life (number of operation)	6 x 10 ⁶	6 x 10 ⁶	6 x 10 ⁶	6 x 10 ⁶
Weight	1.23 oz	1.23 oz	1.23 oz	1.23 oz
Contact Material	AgSnO ₂			
Contact Arrangement	SPDT	SPDT	SPDT	SPDT

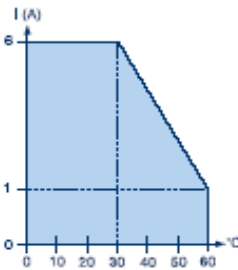
Dimensions:

Relay Output:



Wiring Diagram and Thermal Curves:

84145041 / 042 / 043 / 046



Accessories

84145050

Front Panel marker (88 per bag)



84145052

10 position jumper - Blue



84145051

2 Pole "Common" Jumper



84145053

10 position jumper - Red



- 20 A in a case only 17.5 mm wide
- Service life > 5 million operations at full load
- Silent operation
- Functions: contactor – impulse relay – day/night contactor
- Clips onto a 35 mm DIN rail
- UL/©UL (listed) approval pending
- NF-USE label pending
- “CE” / Low Voltage Directive conformity

Operating principles

Contactor

The contactor output is closed when the control voltage is present at the control input terminals.
The contactor output is open when there is no voltage at the control input terminals.
The LED is lit when the output is active.

Impulse relay

The impulse relay output changes state on each impulse at the control input terminals, and remains in that state between each impulse. The output changes state on the rising edge of the control state change.
The pushbutton on the front can be used to select an operating mode:
Automatic (LED lit): Impulse relay function (Auto)
Forced operation (LED flashing): output closed (ON)
Stop (LED not lit): output open (OFF)

Day/night contactor

The contactor output is closed when the control voltage is present at the control input terminals.
The contactor output is open when there is no voltage at the control input terminals.
The pushbutton on the front can be used to select an operating mode:
Automatic (LED lit): Day/night contactor function (Auto)
Forced operation (LED flashing): output closed (ON)
When the control changes state, the day/night contactor reverts to automatic mode.
Stop (LED not lit): output open (OFF)

Conformity with standards

- IEC/EN 60947-4-3 (industrial environment)
- IEC/EN 60669-2-1 (domestic environment)
- IEC/EN 60601-1 (medical environment)
- IEC/EN 60947-7-1 (connection for industrial env.)
- IEC/EN 60998-2-1 (connection for domestic env.)

Insulation coordination:

- Installation category: 3
- Degree of pollution: 3
- According to IEC 60664-1: 4KV/3

Breakdown voltage according to IEC/EN60669-2-1:
2 KV/1Min / 1mA / 50 Hz

Insulation resistance according to IEC/EN60669-2-1:
> 5MΩ/500VDC / 1Min

Vibrations according to IEC/EN60068-2-6: frequencies: 10 to 55Hz
amplitude: 0.35 mm

Part numbers (and voltages)

Contactor control ~	84 138 001
Contactor control ∴	84 138 000
Impulse relay control ~	84 138 101
Day/night contactor control ∴	84 138 201

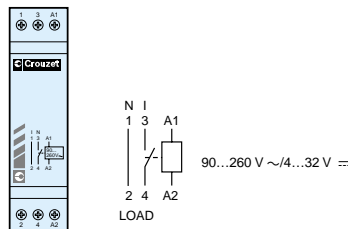
Input characteristics

Voltage	90...260 V a	0...32 V c
Frequency	50 / 60 Hz	
Thresh- olds	OFF control ON control	0 to 46 V ~ 76 to 260 V ~
Minimum duration of the control		0 to 1 V ∴ 4 to 32 V ∴
	50 ms	50 ms

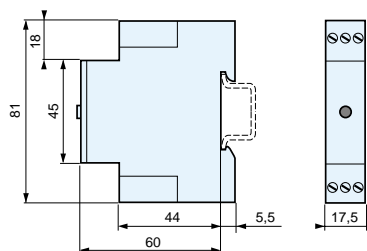
Output characteristics

Voltage	90...260 V ~
Max. current	20 A in AC1 / AC51 / AC7a
Overload current 20 A	AC-51 : 1,25 x Ie – 60s : 50 - 30 (IEC 60947-4-3)
Min. current	100 mA in AC1 / AC51 / AC7a
Frequency	50 / 60 Hz
Contact	N.O.
Number of operations	> 5 000 000
Leakage current	< 5 mA
Acoustic noise	in steady state on switching
Terminal block clamping capacity:	< 35 dB at 1 m < 50 dB at 0.5 m
Terminal tightening torque	2 x 1.5 mm ² with ferrule 2 x 2.5 mm ² without ferrule 1 x 4 mm ² without ferrule
Operating temperature	1 Nm max. M3 screw (IEC60947-1)
Storage temperature	-5 °C to +55 °C
Relative humidity	-40 °C to +85 °C
Casing material	90 to 95 % without condensation
Degree of protection	Self-extinguishing
Weight (g)	IP 50 casing IP 20 terminal block 70 approx.

Connection



Dimensions



To order, specify:

Standard products

1 Part number
Example : Solid state relays - RHP - 84 138 001

- For controlling three-phase supplies
- Controls two or three phases of the supply
- Applied to star or delta-connected two-phase resistances with neutral not connected
- Rating 25 A and 40 A
- Input voltages from 24 to 280 V and 36 to 530 V
- Back-to-back SCRs
- Zero voltage switching
- Input to output insulation voltage: 4000 V
- Protection by RC filter
- UL - cUL approval and CE marking



Output specifications

	24-280	24-280	36-530
Voltage range (Vrms max)	24-280	24-280	36-530
Peak voltage (t=1 min.) (Vpeak)	600	600	1200
Maximum current (Vpeak)	25	40	40
Maximum current(mArms)	7	7	7
Minimum current (mArms)	100	100	100
Max. 1-cycle surge	250	500	500
T=25°C (A peak)			
Max. 1-second surge	67	145	135
T=25°C (A peak)			
On-state voltage drop at Imax and T=25°C (Vpeak)	1.6	1.6	1.6
I ² t (t=10ms) A ² s	260	1260	1260
Thermal resistance - Junction to casing (°C/W)	1.5	0.25	0.25
Static (off-state) dv/dt (V/μs)	500	500	500
Supply frequency range (Hz)	47-63	47-63	47-63
cos φ (Zero voltage)	> 0.5	> 0.5	> 0.5

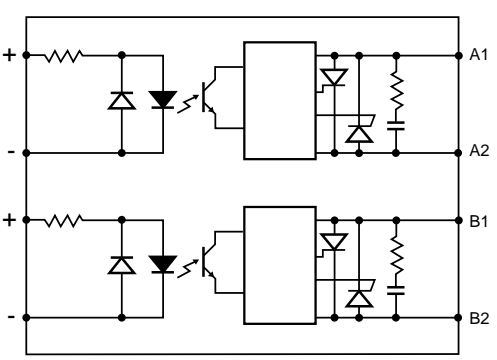
Input specifications

Input voltage(V)	4-15 =
Drop-out voltage (V =)	1
Maximum current (at Vmax) (mA)	32
Response time (close)	
Zero voltage switching (ms)	10
Instantaneous switching (ms)	0,1
Response time (open)	
Zero voltage switching (ms)	10
Instantaneous switching (ms)	10

Characteristics

Operating temperature (°C)	-20 à +80
Storage temperature (°C)	-40 à +100
Input to output insulation voltage (Vrms)	4000
Breakdown voltage (Vrms)	2500
Input/output capacitance (pF)	8 5 5
Material	Casing Self-extinguishing (UL 94 V0)
	Baseplate Aluminium
Weight (g)	450

Equivalent circuits



Part numbers

Two-phase relays 25 A

Switching	Output voltage	Input voltage	Connection diagram	
Zero voltage	24 - 280 V~	4 - 15 V =	B	84 130 210
Instantaneous	24 - 280 V~	4 - 15 V =	B	84 130 211

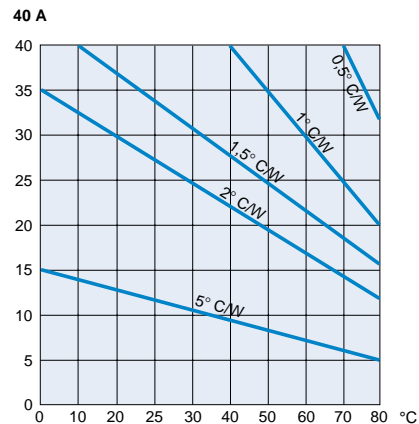
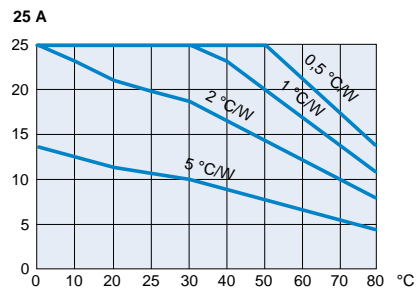
Two-phase relays 40 A

Switching	Output voltage	Input voltage	Connection diagram	
Zero voltage	24 - 280 V~	4 - 15 V =	D	84 130 230
Instantaneous	24 - 280 V~	4 - 15 V =	D	84 130 231
Zero voltage	36 - 530 V~	4 - 15 V =	D	84 130 240
Instantaneous	36 - 530 V~	4 - 15 V =	D	84 130 241
Zero voltage	24 - 280 V~	4 - 15 V =	C	84 130 250
Instantaneous	24 - 280 V~	4 - 15 V =	C	84 130 251
Zero voltage	36 - 530 V~	4 - 15 V =	C	84 130 260
Instantaneous	36 - 530 V~	4 - 15 V =	C	84 130 261
Zero voltage	24 - 280 V~	4 - 15 V =	B	84 130 270
Instantaneous	24 - 280 V~	4 - 15 V =	B	84 130 271
Zero voltage	36 - 530 V~	4 - 15 V =	A	84 130 280
Instantaneous	36 - 530 V~	4 - 15 V =	A	84 130 281

Accessories (see catalogue pages 4/30 to 4/32)

Heatsinks	
Heat transfer compound	18 373 112
DIN rail adaptor	26 532 764
Quick-blow fuses	

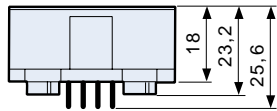
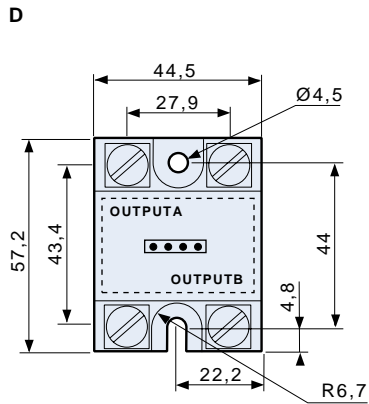
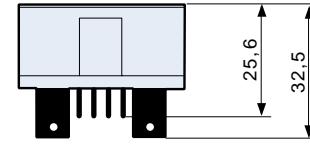
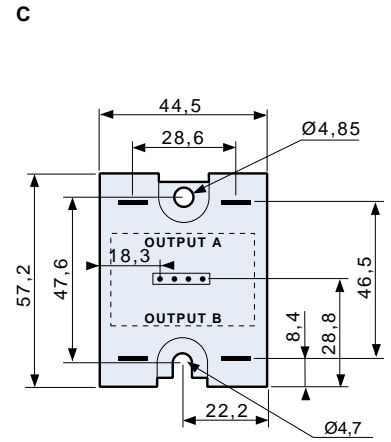
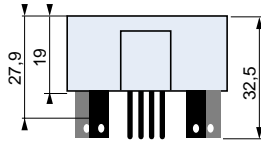
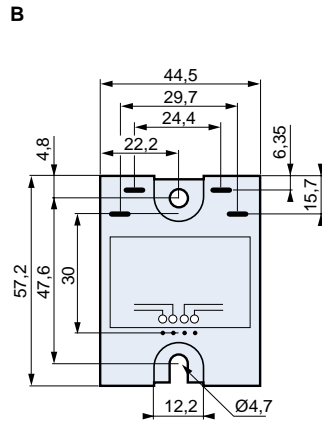
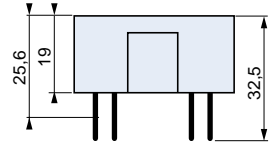
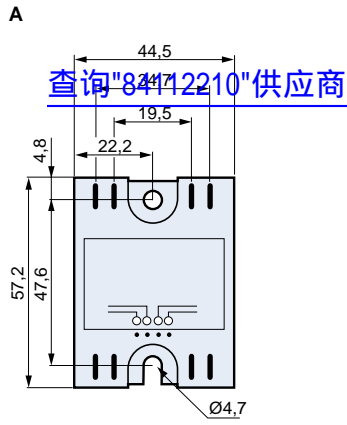
Thermal dissipation curves



To order, specify:

Standard products	1 Part number	2 Accessory
Standard products, non stocked	Example: Two-phase solid state relay 25 A 84 130 210 - DIN rail adaptor 26 532 764	

Dimensions



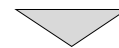


查询"84112210"供应商

For accessories see page 4/10

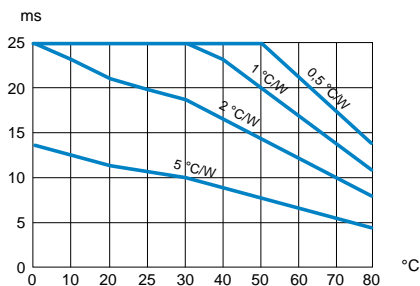
- For controlling three-phase supplies
- Controls two or three phases of the supply
- Used on star or delta-connected two-phase resistors with neutral not connected
- Rating 25 A
- Output voltages from 24 to 280 V
- Back-to-back SCRs
- Zero voltage switching
- Input to output insulation voltage : 4000 V
- Protection by RC filter
- UL/CSA and CE approved

To order

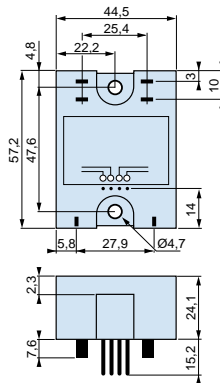


Versions	Rating	Output voltages	Input voltages	Peak voltages	Part number
Zero voltage switching	25 A	24 • 280 V ~	4 • 15 V ≡	600 V	84 130 210
Instantaneous switching	25 A	24 • 280 V ~	4 • 15 V ≡	600 V	84 130 211
Zero voltage switching	40 A	24 • 280 V ~	4 • 15 V ≡	600 V	84 130 230
Instantaneous switching	40 A	24 • 280 V ~	4 • 15 V ≡	600 V	84 130 231

Thermal curves



Dimensions



Accessories for solid state relays

Heatsinks

To order

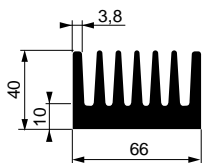


Range	Thermal resistance	Length	Weight	Part number
1 phase G, GA5, GT, GF Material : black anodised aluminium	2 °C/W	L = 70 mm	260 g	26 532 760
1 phase G, GA5, GT, GF Material : black anodised aluminium	3 °C/W	L = 58 mm	250 g	26 532 761
3 phases or 2 x 1 phase 2 x G, GA5, GT, GF 1 x GA0, GA3 Material : black anodised aluminium	0.7 °C/W	L = 75 mm	655 g	26 532 762
1 phase G, GA5, GT, GF, GN Material : black anodised aluminium	2 °C/W	L = 50 mm	150 g	26 532 758

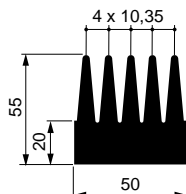
Adaptors for panel mounting (lot of 4)

For heatsink	26 532 758	26 532 801
--------------	------------	------------

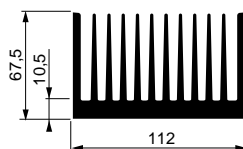
26 532 760



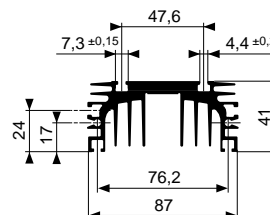
26 532 761



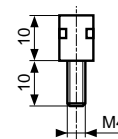
26 532 762



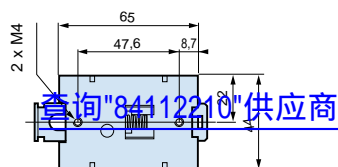
26 532 758



26 532 801



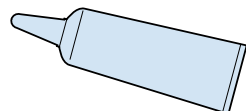
For other products, consult our specialist catalogues... For other products, consult our specialist catalogues...



To order

Characteristics	Weight	Part number
Suitable for use with heatsinks 26 532 760, 26 532 761 and 26 532 762	55 g	26 532 764

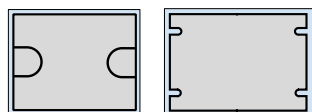
Heat transfer compound



To order

Material	Weight	Part number
silicon/zinc oxide paste	20 g	18 373 112

Thermal interfaces

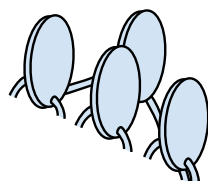


Thermstrate® thermal interface pads

To order

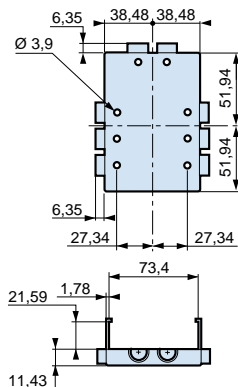
Characteristics	Part number
- For G, GA5, GF and GT ranges	26 532 720
- For the 3-phase GA0 range and the GA3 range	26 532 721

Solid state relay protection

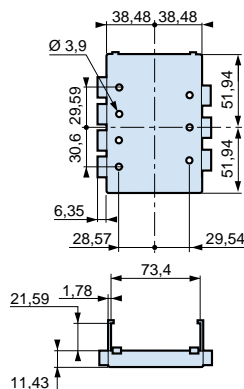


To order

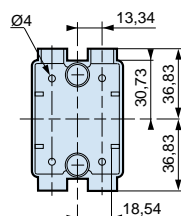
Type	Part number
Varistor	
GA5 - G (24 - 280 V ~)	In lots of 10 26 532 740
GA3 - G (36 - 530 V ~ and 48 - 660 V ~)	In lots of 10 26 532 741
GA0	Single 26 532 742
Fuses for GMS relays	
GMS 3 A and C 4	In lots of 10 26 532 730
GMS 5 A	In lots of 10 26 532 731



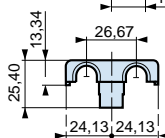
Material	Part number
polycarbonate UL 94 V0 Fits GA3 range	26 532 796



Material	Part number
polycarbonate UL 94 V0 Fits GA0 range	26 532 797



Material	Weight	Part number
polycarbonate UL 94 V0	5 g	26 532 798
Fits G, GA5, GF and GT ranges		



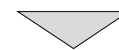
For other products, consult our specialist catalogues... For other products, consult our specialist catalogues...



For accessories see page 4/9 and 4/10
For dimensions see page 4/8

- Current from 10 to 90 A
- Output voltages from 24 to 660 V~
- Back-to-back SCRs
- Input voltage 90-280 V ~ ∩ or 3-32 V ∩ ∩
- Peak voltage up to 1200 V
- Zero voltage or instantaneous switching
- Input to output insulation voltage: 4000 V
- Protection by RC filter
- UL recognised and CSA approved

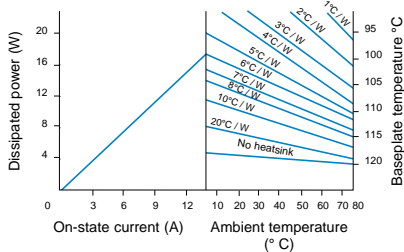
To order



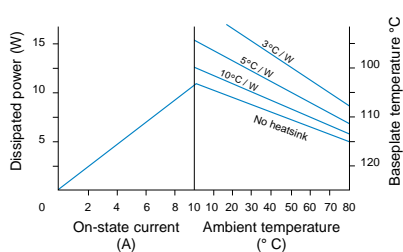
Version	Rating	Output voltages	Input voltages	Peak voltages	Part number
Zero voltage switching	10 A	24 • 280 V ~	3 • 32 V ∩ ∩	600 V	84 060 231
		36 • 530 V ~	90 • 280 V ~ ∩ ∩	600 V	84 060 233
	25 A	24 • 280 V ~	3 • 32 V ∩ ∩	1200 V	84 060 241
		24 • 280 V ~	90 • 280 V ~ ∩ ∩	600 V	84 060 431
	45 A	36 • 530 V ~	3 • 32 V ∩ ∩	600 V	84 060 433
		24 • 280 V ~	90 • 280 V ~ ∩ ∩	1200 V	84 060 441
	50 A	24 • 280 V ~	3 • 32 V ∩ ∩	600 V	84 060 631
		36 • 530 V ~	90 • 280 V ~ ∩ ∩	600 V	84 060 633
	75 A	3 • 32 V ∩ ∩	1200 V	84 060 741	
		48 • 660 V ~	1200 V	84 060 743	
	90 A	24 • 280 V ~	3 • 32 V ∩ ∩	1200 V	84 060 751
		36 • 530 V ~	3 • 32 V ∩ ∩	600 V	84 060 831
		90 • 280 V ~ ∩ ∩	600 V	84 060 833	
		36 • 530 V ~	1200 V	84 060 841	
		3 • 32 V ∩ ∩	1200 V	84 060 941	

Thermal curves

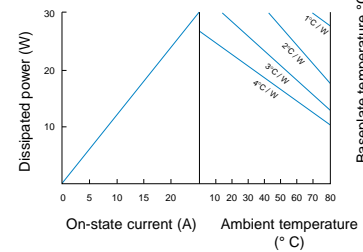
G range, 24 • 280 V ~ 10 A



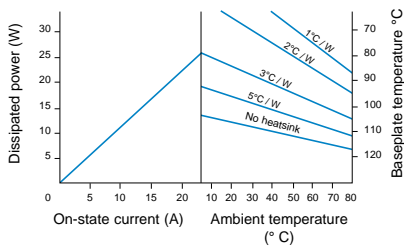
G range, 36 • 530 V ~ 10 A



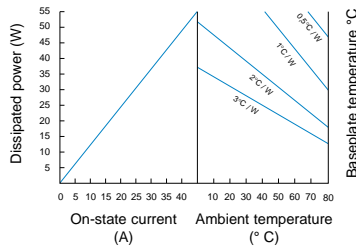
G range, 24 • 280 V ~ 25 A



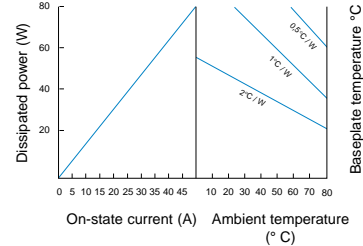
G range, 36 • 530 V ~, 48 • 660 V ~ 25 A



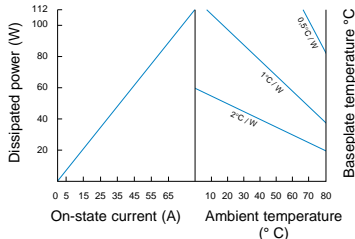
G range, 24 • 280 V ~ 45 A



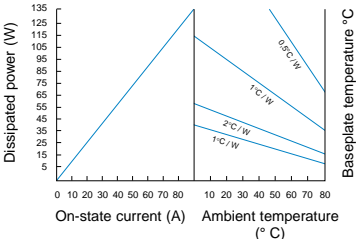
G range, 36 • 530 V ~, 48 • 660 V ~ 50 A



G range, 75 A



G range, 90 A



For other products, consult our specialist catalogues... For other products, consult our specialist catalogues...



查询"8413210"供应商

For accessories see page 4/9 and 4/10
For dimensions see page 4/8

- TRIAC low-cost solid state relay
- Input voltage 3-32 V \equiv or 90-280 V $\sim \equiv$
- Peak voltage: 600 V
- UL/CSA approved
- Certain models are VDE approved
- Input to output insulation voltage: 4000 V
- Protection by RC filter

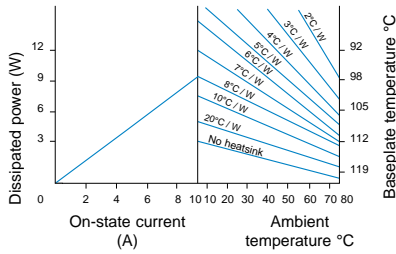
To order



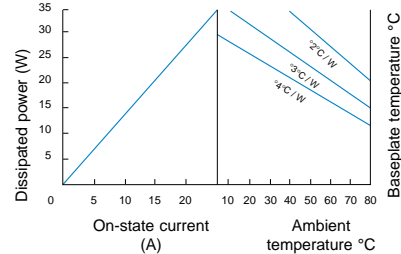
Versions	Rating	Output voltages	Input voltages	Peak voltages	Part number
Zero voltage switching	10 A	24 • 280 V \sim	3 • 32 V \equiv 90 • 280 V $\sim \equiv$	600 V 600 V	84 061 231 84 061 233
	25 A	24 • 280 V \sim	3 • 32 V \equiv 90 • 280 V $\sim \equiv$	600 V 600 V	84 061 431 84 061 433
Faston tag connectors					
Zero voltage switching	10 A	24 • 280 V \sim	3 • 32 V \equiv	600 V	84 061 531
	25 A	24 • 280 V \sim	90 • 280 V $\sim \equiv$	600 V	84 061 631
EMC level 3	10 A	24 • 280 V \sim	3 • 32 V \equiv	600 V	84 131 900
	25 A	24 • 280 V \sim	90 • 280 V $\sim \equiv$	600 V	84 131 910

Thermal dissipation curves

GA5 range - 10 A



GA5 range - 25 A



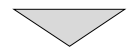
GAO range three-phase motor reversing relay



For accessories see page 4/9 and 4/10

- Reverses rotation of three-phase motors
- Output voltage 24-480 V~
- Input voltage 3-32 V \equiv
- Reversal delay : 100ms
- Interlock against simultaneous actuation in both directions
- Back-to-back SCRs
- Input to output insulation voltage: 5000 V \equiv
- Protected by RC filter and overvoltage limiter
- Direction of rotation displayed by 2 green LEDs

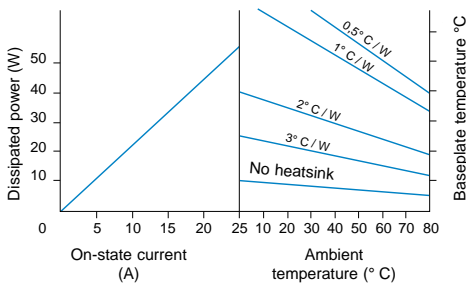
To order



Rating	Output voltage	Input voltage	Part number
25 A	24 • 480 V \sim	3 • 32 V \equiv	84 067 441

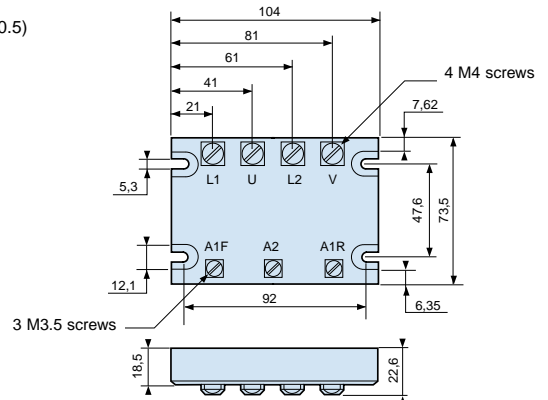
Thermal curves

GAO range - 25 A



Dimensions

(General tolerances ± 0.5)



For other products, consult our specialist catalogues... For other products, consult our specialist catalogues...

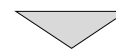
查询"84112210"供应商



For accessories see page 4/9 and 4/10
For dimensions see below

- Solid state relay for DC applications
- FET output - 10 A, 15 A, 30 A
- Very low leakage current (<10µA)
- Very low on-state resistance (minimises heating)
- Input to output insulation voltage : 1500 V
- Protection against polarity reversal

To order

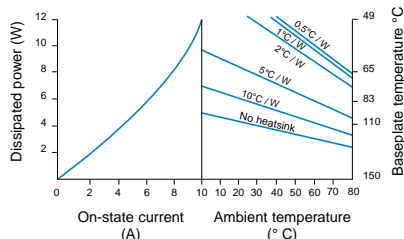


Rating	Output voltages	Input voltages
10 A	1 • 200 V $\overline{\text{---}}$	3 • 32 V $\overline{\text{---}}$
15 A	1 • 100 V $\overline{\text{---}}$	3 • 32 V $\overline{\text{---}}$
30 A	1 • 50 V $\overline{\text{---}}$	3 • 32 V $\overline{\text{---}}$

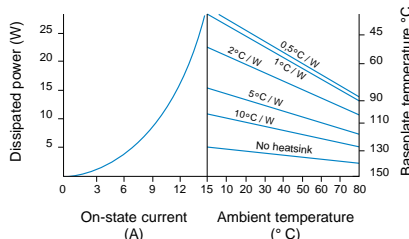
Part number
84 062 291
84 062 381
84 062 571

Thermal curve

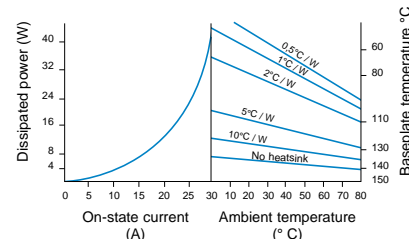
GF range - 10 A



GF range - 15 A



GF range - 30 A



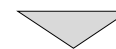
GT range



For accessories see page 4/9 and 4/10

- Solid state relay for DC applications
- Transistor output - 10 A
- Response time < 25µs
- Input voltage 3-32 V $\overline{\text{---}}$
- UL/CSA approved
- Input to output insulation 4000 V ~

To order

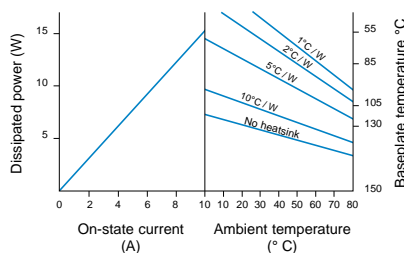


Rating	Output voltage	Input voltage
10 A	3 • 60 V $\overline{\text{---}}$	3 • 32 V $\overline{\text{---}}$

Part number
84 063 261

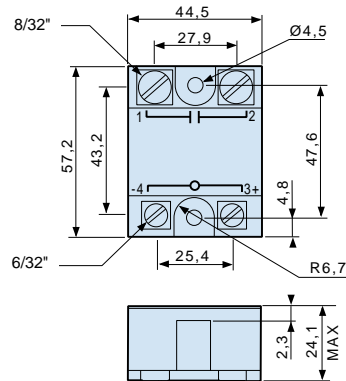
Thermal curve

GT range - 10 A



Dimensions (General tolerances ± 0.5)

G - GA5 - GF and GT ranges - 15 A



For other products, consult our specialist catalogues... For other products, consult our specialist catalogues...

Solid state I/O modules represent a reliable control system solution which is simple to install for interfacing different voltage levels.

Output modules

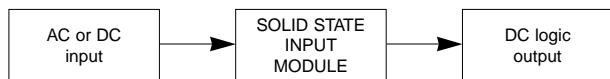
Output modules can be used to control AC or DC loads using DC low-voltage logic input signals. They can control loads of up to 5 A, and can be used over a very wide voltage range, from 5 to 48 VDC and from 120 to 240 VAC.



The control input for these modules is compatible with standard logic levels (TTL, CMOS, etc). This makes them ideally suited to act as an interface and isolation device between one digital command (microprocessor or other), a medium-power circuit (heatsink, motor, etc), a preactuator (contactors, solenoid valves) or a signalling device (indicator lamps, audible alarms, etc).

Input modules

Input modules can be used to determine the status of an AC or DC load by producing a low-voltage logic output signal.

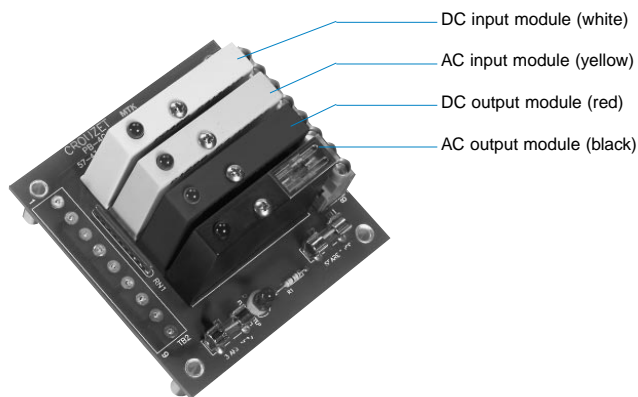


Practical

Clever use of colour means the function of an I/O can be identified immediately, greatly simplifying module identification.

Colours

- white : DC input module
- yellow : AC input module
- red : DC output module
- black : AC output module



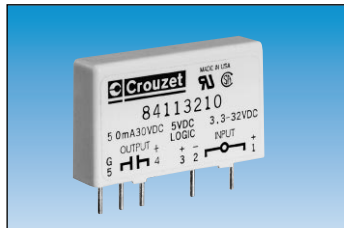
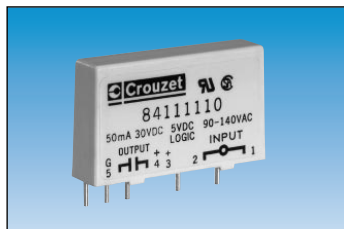
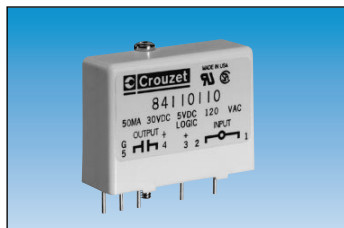
Solid state I/O modules

Solid state input modules

To order



Range	Type	Output voltages	Input voltages	Part number
Standard range (15.24 mm)				
	IAC5	5 V $\overline{\text{DC}}$	120 V \sim	84 110 110
	IAC5A	5 V $\overline{\text{DC}}$	240 V \sim	84 110 111
	IDC5	5 V $\overline{\text{DC}}$	5 - 28 V $\overline{\text{DC}}$	84 110 210
	IDC5N	5 V $\overline{\text{DC}}$	12 - 48 V $\overline{\text{DC}}$	84 110 212
	IAC24A	24 V $\overline{\text{DC}}$	240 V \sim	84 110 131
43.2 x 31.8 x 15.2 mm				
M range				
	MIAC5	5 V $\overline{\text{DC}}$	120 V \sim	84 111 110
	MIACEA	5 V $\overline{\text{DC}}$	240 V \sim	84 111 111
	MIDC5	5 V $\overline{\text{DC}}$	5 - 28 V $\overline{\text{DC}}$	84 111 210
	MIDC5N	5 V $\overline{\text{DC}}$	12 - 48 V $\overline{\text{DC}}$	84 111 212
43.2 x 25.4 x 10.2 mm				
SM range				
	SMIAC5	5 V $\overline{\text{DC}}$	120 V \sim	84 113 110
	SMIAC5A	5 V $\overline{\text{DC}}$	240 V \sim	84 113 111
	SMIDC5	5 V $\overline{\text{DC}}$	5 - 28 V $\overline{\text{DC}}$	84 113 210
	SMIDC5N	5 V $\overline{\text{DC}}$	12 - 48 V $\overline{\text{DC}}$	84 113 212
43.2 x 25.4 x 10.2 mm				



For other products, consult our specialist catalogues... For other products, consult our specialist catalogues...

- Single channel plug-in module
- Input : 5 V \equiv or 24 V \equiv
- Output : \sim TRIAC
110 V \sim or 240 V \sim
- Current : 3 to 5 A
- Synchronous switching
- Standard industrial casing

查询 548 240 供应商



Types

Part numbers

Input characteristics (at ambient 25 °C)

		OAC5	OAC5AH	OAC5A	ODC5	OAC24
Nominal control voltage	V \equiv	5	5	5	5	24
Control voltage range	V \equiv	2.75 - 8	2.75 - 8	2.75 - 8	2.75 - 8	18 - 32
Voltage drop	V \equiv	1	1	1	1	1
Operating current	mA	20	20	20	18	13
Internal resistance	Ω	220	220	220	250	2000

Output characteristics (at ambient 25 °C)

		OAC5	OAC5AH	OAC5A	ODC5	OAC24
Nominal voltage		120 V \sim	240 V \sim	240 V \sim	5 - 48 V \equiv	120 V \sim
Operating voltage range		12 - 140 V \sim	24 - 280 V \sim	24 - 280 V \sim	3 - 60 V \equiv	12 - 140 V \sim
Peak voltage		400 V _{peak}	600 V _{peak}	600 V _{peak}	60 V \equiv	400 V _{peak}
Max leakage current		3 mArms	6 mArms	6 mArms	10 μ A	3 mArms
Static dv/dt - off-state	V/ μ s	200	200	200	—	200
Output current		3.5 Arms	5 Arms	3.5 Arms	3 A	3.5 Arms
Holding current		50 mArms	50 mArms	50 mArms	10 mA	50 mArms
Current surge (for 1 cycle in \sim and 1 s in \equiv)		100 Apeak	100 Apeak	100 Apeak	5 A	100 Apeak
Voltage drop - on-state	V	1.6	1.6	1.6	1.5	1.6

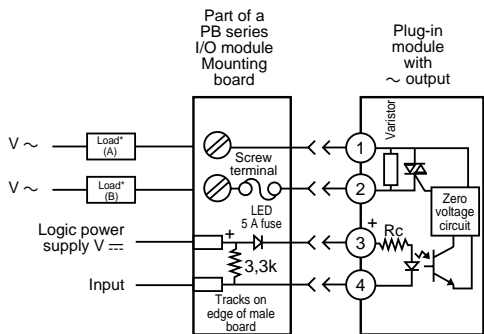
General characteristics

Temperature limits	Use	°C	-30 +80	-30 +80	-30 +80	-30 +80	-30 +80
	Stored	°C	-40 +100	-40 +100	-40 +100	-40 +100	-40 +100
Response time	Turn-on	ms	8.33	0.1	8.33	0.1	8.33
	Turn-off	ms	8.33	8.33	8.33	0.75	8.33
I/O isolation		V \sim	4000	4000	4000	4000	4000
I/O capacity (typical)		pF	8	8	8	8	8
Operating frequency		Hz	47 - 63	47 - 63	47 - 63	\equiv	47 - 63

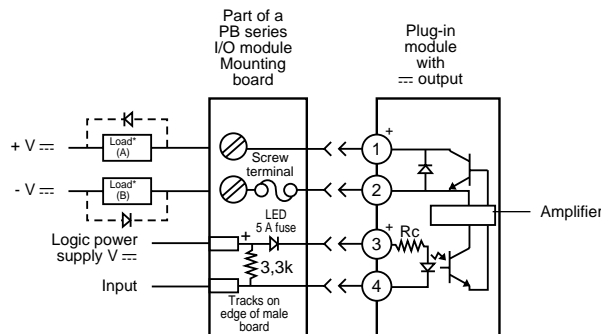
Connections

\sim output module

\equiv output module



* The load may be wired on A or B.

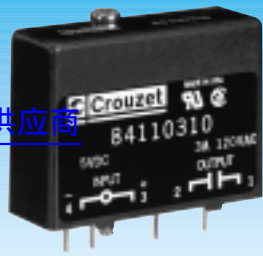


* The load may be wired on A or B. To avoid damage to the I/O module, inductive DC loads must not contain a diode.

Other information

UL approved (E46203) / CSA certified (38595)
For mounting boards, see pages 4/60 to 4/69.

查询"84112210"供应商



OAC24A ODC24

84 110 331 84 110 430

24	24
18 - 32	18 - 32
1	1
13	13
2000	2000

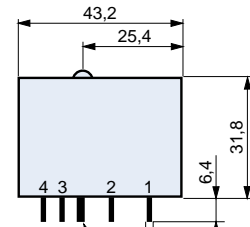
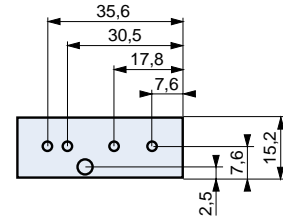
240 V ~	5 - 48 V =
24 - 280 V ~	3 - 60 V =
600 Vpeak	60 V =
6 mArms	10 μA
—	
3.5 mArms	3 A
50 mArms	10 mA
100 Apeak	5 A
1.6	1.5

-30 +80	-30 +80
-40 +100	-40 +100
8.33	0.025
8.33	0.05
4000	4000
8	8
47 - 63	=

1

Dimensions

Dimensions in mm. Tolerance : ± 0.50.



Fixing screws Ø 4 x40

Casing colour :

~: Black

=: Red

4

To order, specify :

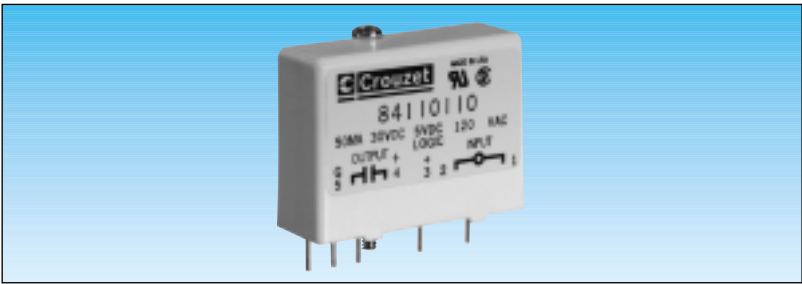
Standard products

1 Part number

Standard products,
non stocked

Example : Output module - Standard range 15.24 mm - 84 110 310

- Single channel plug-in module
- Input : 110 V ~, 240 V ~, 5 - 28 V ≐, 12-48 V ≐
- Open collector output : 5 V ≐ or 24 V ≐
- Standard industrial casing

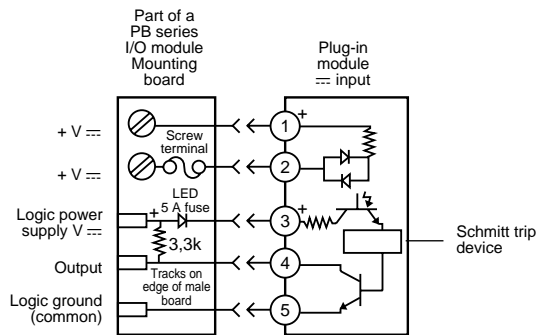
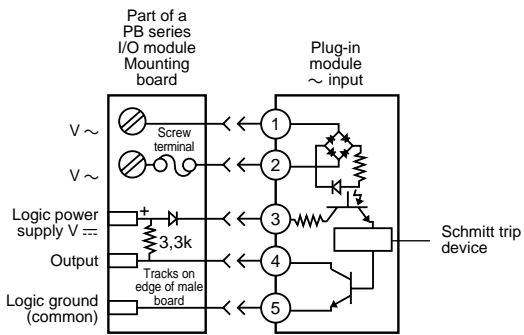


Types	IAC5	IAC5A	IAC5E	IDC5	IDC5N
Part numbers	84 110 110	84 110 111	84 110 112	84 110 210	84 110 212
Input characteristics (at ambient 25 °C)					
Nominal voltage	120 V ~	240 V ~	24 V ~	5 - 28 V ≐	12 - 48 V ≐
Operating voltage range	90 - 140 V ~	180 - 280 V ~	18 - 36 V ~	3.3 - 32 V ≐	10 - 60 V ≐
Max input resistance	kΩ 28	75	2	1	2
Max input current	5 mArms	5 mArms	10 mArms	34 mA	34 mA
Current drop	2 mArms	1.5 mArms	1 mArms	1 mA	1 mA
Current authorised when not operating	2.5 mArms	2 mArms	1.5 mArms	1.5 mA	1.5 mA
Voltage authorised when not operating	50 V ~	50 V ~	10 V ~	2 V ≐	4 V ≐
Output characteristics (at ambient 25 °C)					
Logic voltage	V ≐ 5	5	5	5	5
Logic voltage range	V ≐ 3 - 6	3 - 6	3 - 6	3 - 6	3 - 6
Max logic current	mA 16	16	16	16	16
Max I power supply output in OFF state	μA 10	10	10	10	10
Max output transistor voltage	V ≐ 30	30	30	30	30
Max output transistor current	mA 50	50	50	50	50
Max leakage current	μA 10	10	10	10	10
Residual voltage	V ≐ 0.2	0.2	0.2	0.2	0.2
General characteristics					
Temperature limits	Use °C -30 +80	-30 +80	-30 +80	-30 +80	-30 +80
	Stored °C -40 +100	-40 +100	-40 +100	-40 +100	-40 +100
Response time	Turn-on ms 20	20	20	1	5
	Turn-off ms 30	30	30	1	5
I/O isolation	V ~ 4000	4000	4000	4000	4000
I/O capacity (typical)	pF 8	8	8	8	8
Operating frequency	Hz 47 - 63	47 - 63	47 - 63	≐	≐

Connections

~ input module

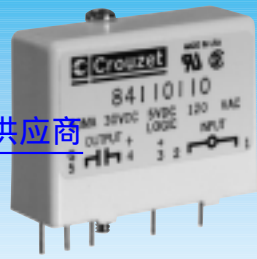
≐ input module



Other information

UL approved (E46203) / CSA certified (38595)
 For mounting boards, see pages 4/60 to 4/69.

查询"84112210"供应商

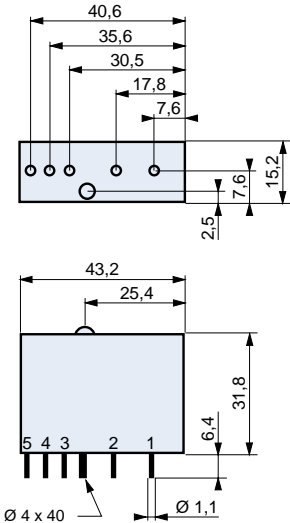


IAC24	IAC24A	IDC24	IDC24N
84 110 130	84 110 131	84 110 230	84 110 232
120 V ~	240 V ~	5 - 28 V =	12 - 48V =
90 - 140 V ~	180 - 280 V ~	3.3 - 32 V =	10 - 60 V =
28	75	1	2
5 mArms	5 mArms	34 mA	34 mA
2 mArms	1.5 mArms	1 mA	1 mA
2.5 mArms	2 mArms	1.5 mA	1.5 mA
50 V ~	50 V ~	2 V =	4 V =
24	24	24	24
20 - 30	20 - 30	20 - 30	20 - 30
16	16	16	16
10	10	10	10
30	30	30	30
50	50	50	50
10	10	10	10
0.2	0.2	0.2	0.2
-30 +80	-30 +80	-30 +80	-30 +80
-40 +100	-40 +100	-40 +100	-40 +100
20	20	1	5
30	30	1	5
4000	4000	4000	4000
8	8	8	8
47 - 63	47 - 63	=	=

1

Dimensions

Dimensions in mm. Tolerance : ± 0.50.



Fixing screws Ø 4 x 40

Casing colour :

~ : Yellow

= : White

4

To order, specify :

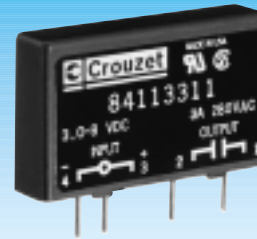
Standard products

1 Part number

Example : Input module - Standard range 15.24 mm - 84 110 110

Standard products,
non stocked

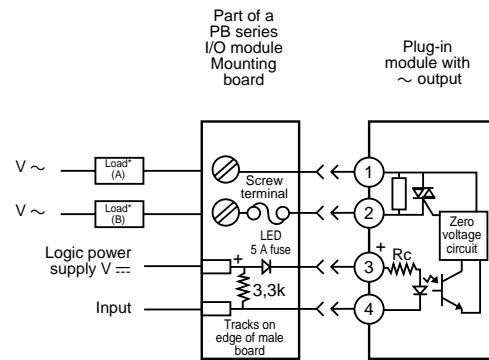
- Single channel plug-in module
- Input : 5 V \equiv or 24 V \equiv
- Output : 110 V \sim / 240 V \sim , 5-48 V \sim
- Current : 3 to 5 A \sim
- Standard industrial casing



Types		SMOAC5	SMOACAH	SMOAC5A	SMOAC5AR	SMODC5
Part numbers		84 113 310	84 113 011	84 113 311	84 113 312	84 113 410
Input characteristics (at ambient 25 °C)						
Nominal control voltage	V \equiv	5	5	5	5	5
Control voltage range	V \equiv	2.75 - 8	2.75 - 8	2.75 - 8	2.75 - 8	2.75 - 8
Voltage drop	V \equiv	1	1	1	1	1
Operating current	mA	20	20	20	18	18
Internal resistance	Ω	220	220	220	250	250
Output characteristics (at ambient 25 °C)						
Nominal voltage		120 V \sim	240 V \sim	240 V \sim	240 V \sim	5 - 48 V \equiv
Operating voltage range		12 - 140 V \sim	24 - 280 V \sim	24 - 280 V \sim	24 - 280 V \sim	3 - 60 V \equiv
Peak voltage		400 V _{peak}	600 V _{peak}	600 V _{peak}	600 V _{peak}	60 V \equiv
Max leakage current		3 mArms	6 mArms	6 mArms	6 mA	10 μ A
Static dv/dt - off-state	V/ μ s	200	200	200	200	—
Output current		3.5 Arms	5 Arms	3.5 Arms	3.5 Arms	3 A
Holding current		50 mArms	50 mArms	50 mArms	50 mArms	10 mA
Current surge (for 1 cycle in \sim and 1 s in \equiv)		100 Apeak	100 Apeak	100 Apeak	100 Apeak	5 A
Voltage drop - on-state	V	1.6	1.6	1.6	1.6	1.5
General characteristics						
Temperature limits	Use	$^{\circ}$ C	-30 +80	-30 +80	-30 +80	-30 +80
	Stored	$^{\circ}$ C	-40 +100	-40 +100	-40 +100	-40 +100
Response time	Turn-on	ms	8.33	0.1	8.33	8.33
	Turn-off	ms	8.33	8.33	8.33	0.75
I/O isolation		V \sim	4000	4000	4000	4000
I/O capacity (typical)		pF	8	8	8	8
Operating frequency		Hz	47 - 63	47 - 63	47 - 63	\equiv

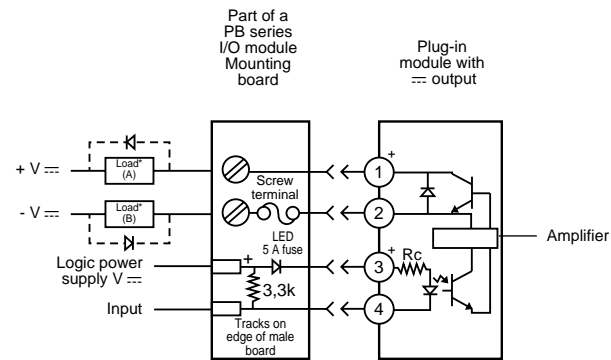
Connections

\sim output module



* The load may be wired on A or B.

\equiv output module

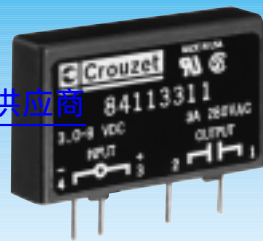


* The load may be wired on A or B. To avoid damage to the I/O module, inductive DC loads must incorporate a freewheel diode.

Other information

UL approved (E46203) / CSA certified (38595)
 For mounting boards, see pages 4/74 to 4/78.

查询"84112210"供应商

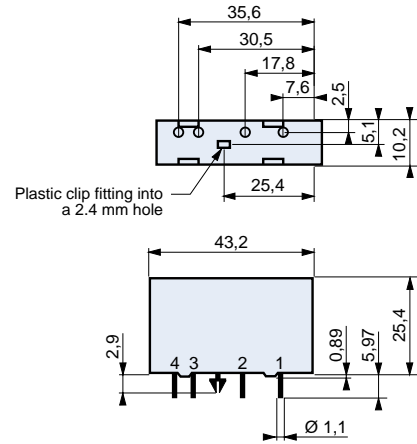


SMOAC24	SMOAC24A	SMODC24
84 113 330	84 113 331	84 113 430
24	24	24
18 - 32	18 - 32	18 - 32
1	1	1
13	13	13
2000	2000	200
120 V ~	240 V ~	5 - 48 V =
12 - 140 V ~	24 - 280 V =	3 - 60 V =
400 Vpeak	600 Vpeak	60 V =
3 mArms	6 mArms	10 µA
200	200	—
3.5 Arms	3.5 Arms	3 A
50 mArms	50 mArms	10 mA
100 Apeak	100 Apeak	5 A
1.6	1.6	1.5
-30 +80	-30 +80	-30 +80
-40 +100	-40 +100	-40 +100
8.33	8.33	0.1
8.33	8.33	0.75
4000	4000	4000
8	8	8
47 - 63	47 - 63	=

1

Dimensions

Dimensions in mm. Tolerance : ± 0.50.



4

To order, specify :

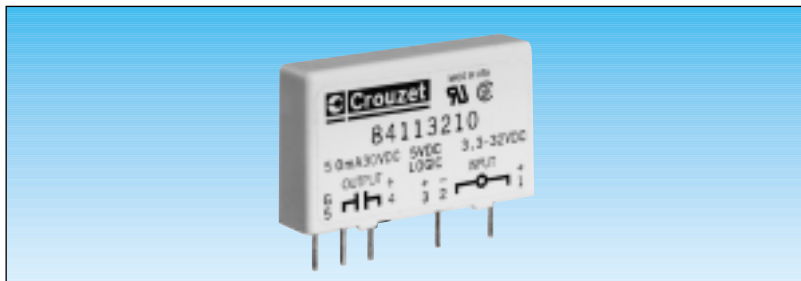
Standard products

1 Part number

Standard products,
non stocked

Example : Output module - SM range - 84 113 310

- Single channel plug-in module
- Input : 24 V ~ / 110 V ~ / 240 V ~
5-28 V = / 12-48 V =
- Output : open collector
查询 5V 12V 24V 供应商
- Standard industrial casing

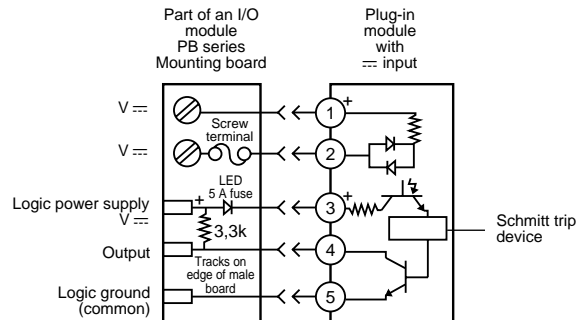
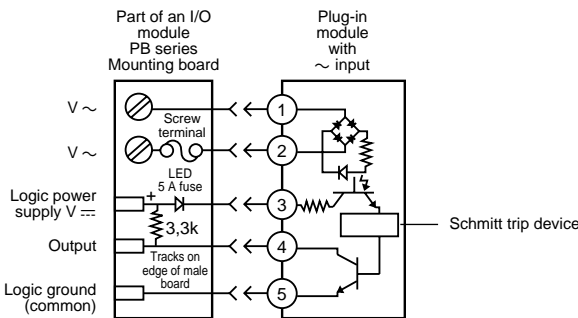


Types		SMIAC5	SMIAC5A	SMIAC5E	SMDC5	SMDC5N
Part numbers		84 113 110	84 113 111	84 113 112	84 113 210	84 113 212
Input characteristics (at ambient 25 °C)						
Nominal voltage		120V ~	240 V ~	24 V ~	5 - 28 V =	12 - 48 V =
Operating voltage range		90 - 140 V ~	180 - 280 V ~	18 - 36 V ~	3.3 - 32 V =	10 - 60 V =
Max input resistance	kΩ	28	75	2	1	2
Max input current		5 mArms	5 mArms	10 mArms	34 mA	34 mA
Current drop		2 mArms	1.5 mArms	1 mArms	1 mA	1 mA
Current authorised when not operating		2.5 mArms	2 mArms	1.5 mArms	1.5 mA	1.5 mA
Voltage authorised when not operating		50 V ~	50 V ~	10 V ~	2 V =	4 V =
Output characteristics (at ambient 25 °C)						
Logic voltage	V =	5	5	5	5	5
Logic voltage range	V =	3 - 6	3 - 6	3 - 6	3 - 6	3 - 6
Logic current	mA	16	16	16	16	16
Max I power supply output in OFF state	μA	10	10	10	10	10
Max output transistor voltage	V =	30	30	30	30	30
Max output transistor current	mA	50	50	50	50	50
Max leakage current	μA	10	10	10	10	10
Residual voltage	V =	0.2	0.2	0.2	0.2	0.2
General characteristics						
Temperature limits	Use	°C	-30 +80	-30 +80	-30 +80	-30 +80
	Stored	°C	-40 +100	-40 +100	-40 +100	-40 +100
Response time	Turn-on	ms	20	20	20	1
	Turn-off	ms	30	30	30	1
I/O isolation		V ~	4000	4000	4000	4000
I/O capacity (typical)		pF	8	8	8	8
Operating frequency		Hz	47 - 63	47 - 63	47 - 63	=

Connections

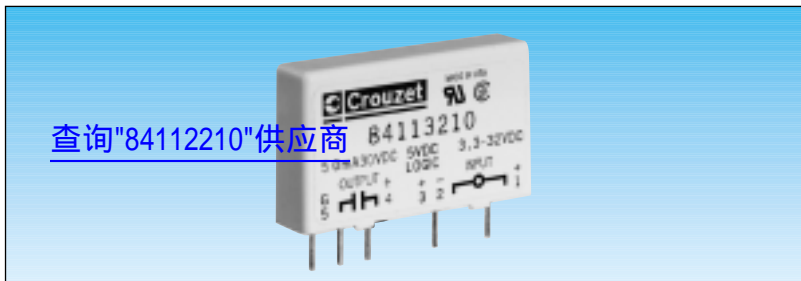
~ input module

= input module



Other information

UL approved (E46203) / CSA certified (38595)
For mounting boards, see pages 4/74 to 4/78.



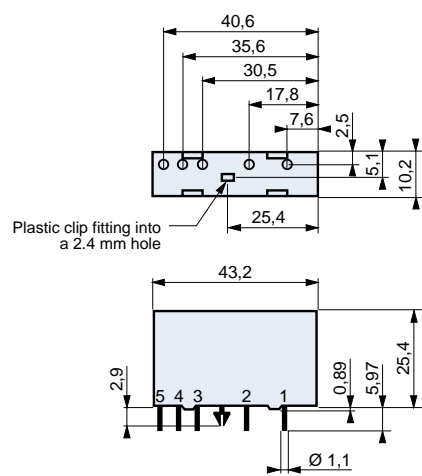
查询"84112210"供应商

SMIAC24	SMIAC24A	SMIDC24
84 113 130	84 113 131	84 113 230
120 V ~	240 V ~	5 - 28 V ≐
90 - 140 V ~	180 - 280 V ~	3.3 - 32 V ≐
28	75	1
5 mArms	5 mArms	34 mA
2 mArms	1.5 mArms	1 mA
2.5 mArms	2 mArms	1.5 mA
50 V ~	50 V ~	2 V ≐
24	24	24
20 - 30	20 - 30	20 - 30
16	16	16
10	10	10
30	30	30
50	50	50
10	10	10
0.2	0.2	0.2
-30 +80	-30 +80	-30 +80
-40 +100	-40 +100	-40 +100
20	20	1
30	30	1
4000	4000	4000
8	8	8
47 - 63	47 - 63	≐

1

Dimensions

Dimensions in mm. Tolerance : ± 0.50.



Casing colour :
 ~ : Yellow
 ≐ : White

4

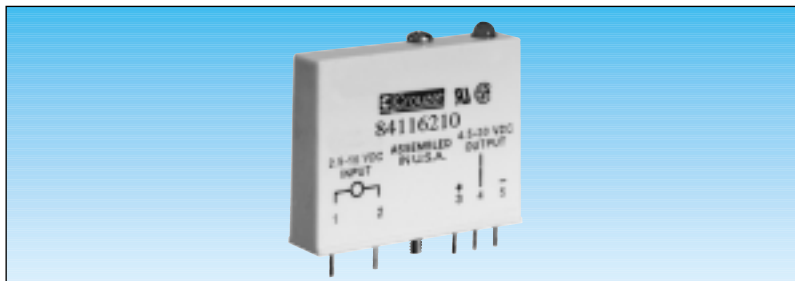
To order, specify :

1 Part number
 Example : Input module - SM range - 84 113 110

Standard products, non stocked

- New industrial standard
- Status display LED
- Single channel plug-in module
- Input : 110 V ~ or 240 V ~
- Regulated output : 4.5 to 30 V =

查询"06132910"供应商



Types	C4IAC	C4IACA	C4IDC	C4IDCB
Part numbers	84 116 110	84 116 111	84 116 210	84 116 211

1

Input characteristics (at ambient 25 °C)

Nominal control voltage		120 V ~	240 V ~	10 - 32 V =	4 - 16 V =
Operating voltage range		90 - 140 V ~	140 - 280 V ~	10 - 32 V =	4 - 16 V =
Max input resistance		22 kΩ	75 kΩ	2 kΩ	400 Ω
Max input current	mA	14	5	20	40
Current drop	mA	3	1	1.5	1
Min turn-on current	mA	2.5	0.7	1	0.7
Min turn-on voltage		50 V ~	50 V ~	3 V =	1 V ~

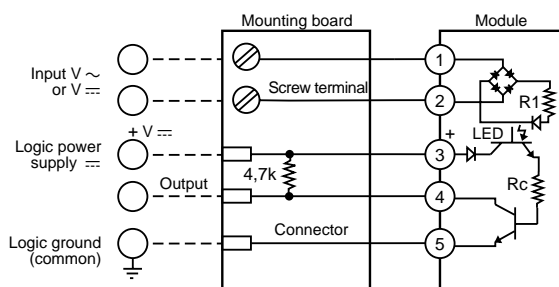
Output characteristics (at ambient 25 °C)

Logic voltage	V =	4.5 - 30	4.5 - 30	4.5 - 30	4.5 - 30
Logic voltage range	V =	4.5 - 30	4.5 - 30	4.5 - 30	4.5 - 30
Max logic current	mA	25	25	25	25
Max I power supply output in OFF state	μA	7	7	7	7
Max output transistor current	mA	50	50	50	50
Max leakage current	μA	10	10	10	10
Residual voltage	V =	0.2	0.2	0.2	0.2

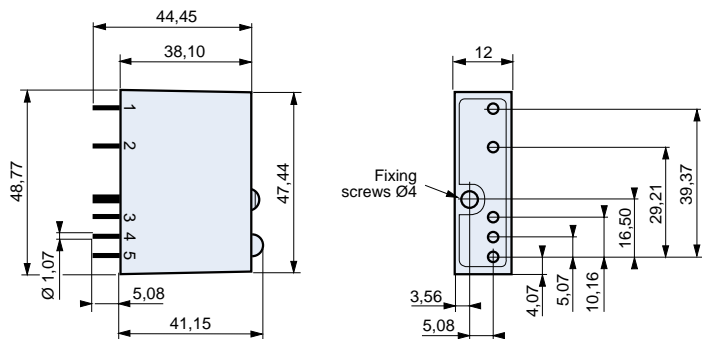
General characteristics

Temperature limits	Use	°C	-30 +80	-30 +80	-30 +80	-30 +80
	Stored	°C	-40 +100	-40 +100	-40 +100	-40 +100
Response time	Turn-on	ms	20	20	5	0.05
	Turn-off	ms	20	20	5	0.1
I/O isolation		V ~	4000	4000	4000	4000
Operating frequency		Hz	47 - 63	47 - 63	=	=

Wiring diagram



Dimensions



Other information	To order, specify :
UL approved (E46203) / CSA certified (38595) For mounting boards, see pages 4/79 to 4/83.	Standard products 1 Part number Example : Input module - C4 range - 84 116 110

- New industrial standard
- Status display LED
- Single channel plug-in module
- Replaceable protective fuse
- Regulated input : 4 to 82 V $\overline{\text{=}}$
- Output : 110 V \sim or 220 V \sim
5-48 V $\overline{\text{=}}$
- Current : 3 A



Types	C4OAC	C4OACA	C4ODC
Part numbers	84 116 310	84 116 311	84 116 410

1

Input characteristics

		C4OAC	C4OACA	C4ODC
Nominal control voltage	V $\overline{\text{=}}$	4 - 32	4 - 32	4 - 32
Voltage drop	V $\overline{\text{=}}$	1	1	1
Maximum current	mA	22	22	16
Input resistance		Regulated input	Regulated input	Regulated input

Output characteristics

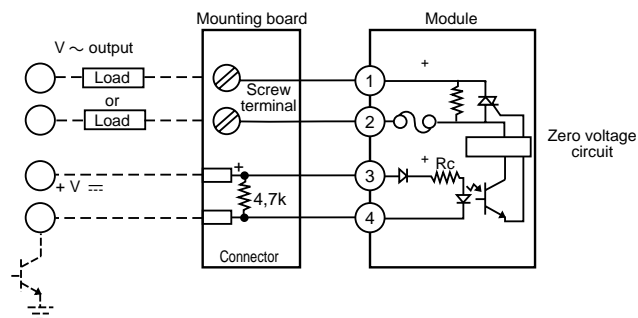
		C4OAC	C4OACA	C4ODC
Nominal voltage		120 V \sim	240 V \sim	5 - 48 V $\overline{\text{=}}$
Operating voltage range		12 - 140 V \sim	24 - 280 V \sim	5 - 60 V $\overline{\text{=}}$
Peak voltage		600 V	600 V	60 V $\overline{\text{=}}$
Max leakage current		2 mA	4 mA	10 μ A
dv/dt	V/ μ s	200	200	—
Output current		3 Arms	3 Arms	3 A
Holding current		50 mArms	50 mArms	10 mA
Current surge (for 1 cycle in \sim and 1 s in $\overline{\text{=}}$)		100 Apeak	100 Apeak	5 A
Voltage drop - on-state	V	1.6	1.6	1.6

General characteristics

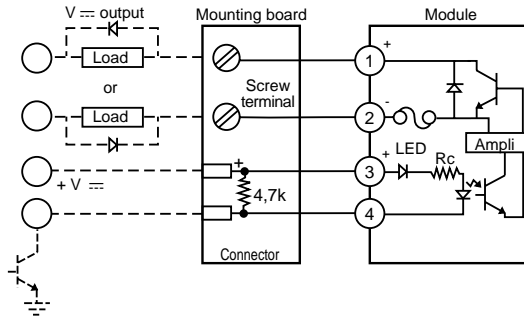
	Use	°C	C4OAC	C4OACA	C4ODC
Temperature limits	Use	°C	-30 +80	-30 +80	-30 +80
	Stored	°C	-40 +100	-40 +100	-40 +100
Response time	Turn-on	ms	8.33	8.33	0.05
	Turn-off	ms	8.33	8.33	0.05
I/O isolation		V \sim	4000	4000	4000
I/O capacity (typical)		pF	8	8	8
Operating frequency		Hz	47 - 63	47 - 63	$\overline{\text{=}}$

Wiring diagrams

\sim output module

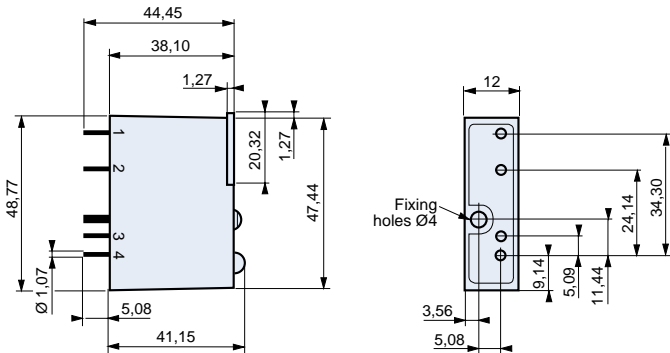


$\overline{\text{=}}$ output module



4

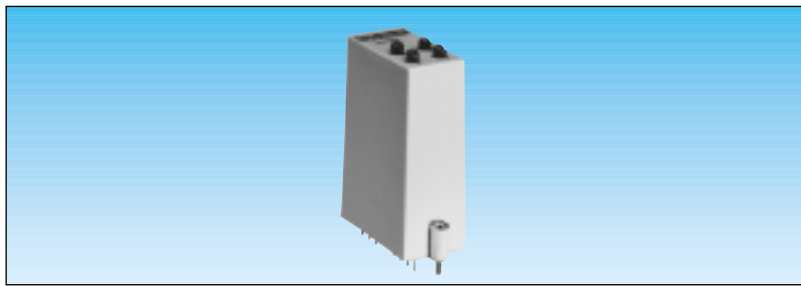
Dimensions



Other information	To order, specify :
UL approved (E46203) / CSA certified (38595) For mounting boards, see pages 4/79 to 4/83.	Standard products 1 Part number Example : Output module - C4 range - 84 116 311

- 4-channel plug-in module
- Status display LED
- Input : 24 V ~ / 110 V ~ / 240 V ~
12 to 48 V =
- Output : 5 V =
- Standard industrial casing

查询"84112110"供应商



Types	IAC5Q	IAC5AQ	IAC5EQ	IDC5Q	IDC5BQ
Part numbers	84 112 110	84 112 111	84 112 112	84 112 210	84 112 214

Input characteristics (at ambient 25 °C)						
Nominal voltage		120 V ~	240 V ~	24 V ~	12 - 48 V =	5 - 28 V =
Operating voltage range		90 - 140 V ~	180 - 280 V ~	18 - 36 V ~	10 - 60 V =	4 - 32 V =
Max input resistance	Ω	28	75	2	2	0.5
Max input current		5 mArms	5 mArms	10 mArms	34 mA	68 mA
Current drop		2 mArms	1.5 mArms	1 mArms	1 mA	1 mA
Current authorised when not operating		2.5 mArms	2 mArms	1.5 mArms	1.5 mA	1.5 mA
Voltage authorised when not operating		50 V ~	50 V ~	10 V ~	4 V ~	2 V ~

Output characteristics (at ambient 25 °C)						
Logic voltage	V =	5	5	5	5	5
Logic voltage range	V =	3 - 6	3 - 6	3 - 6	3 - 6	3 - 6
Max logic current	mA	16	16	16	16	16
Max I power supply output in OFF state	µA	10	10	10	10	10
Max output transistor voltage	V =	30	30	30	30	30
Max output transistor current	mA	50	50	50	50	50
Max leakage current	µA	10	10	10	10	10
Residual voltage	V =	0.2	0.2	0.2	0.2	0.2

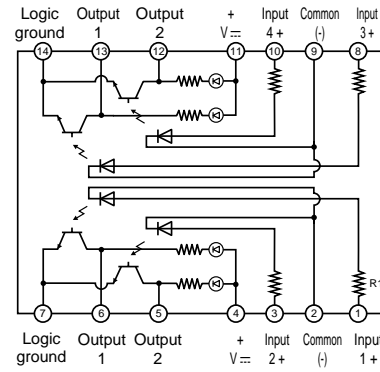
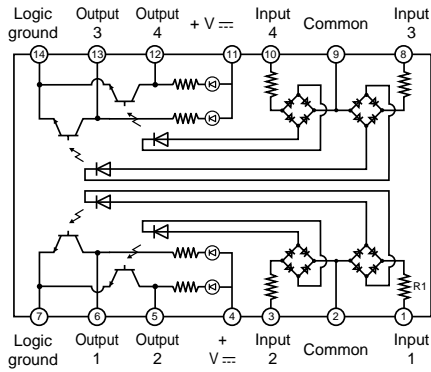
General characteristics

Temperature limits	Use	°C	-30 +80	-30 +80	-30 +80	-30 +80	-30 +80
	Stored	°C	-40 +100	-40 +100	-40 +100	-40 +100	-40 +100
Response time	Turn-on	ms	20	20	20	5	0.05
	Turn-off	ms	30	30	30	5	0.1
I/O isolation		V ~	4000	4000	4000	4000	4000
I/O capacity (typical)		pF	8	8	8	8	8
Operating frequency		Hz	47 - 63	47 - 63	47 - 63	=	=

Connections

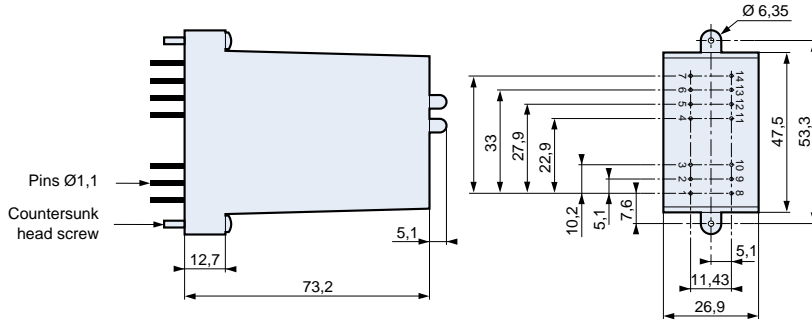
84 112 110 - 111 - 112

84 112 210 / 214



Dimensions

Dimensions in mm.
Tolerance : ± 0.50



Casing colour :
~ : Yellow
= : White

Other information	To order, specify :
UL approved (E46203) / CSA certified (38595) For mounting boards, see pages 4/84 to 4/89.	<p>Standard products</p> <p>Standard products, non stocked</p> <p>1 Part number</p> <p>Example : Input module - Quad-Pack range - 84 112 110</p>

- Complete, compact units
- DIN rail and panel mounting
- Rating: 5 A ~ or 3 A ≍
- Output voltage 12-280 V ~ or 5-48 V ≍
- Input voltage 4-32 V ≍ Regulated
- Input to output insulation voltage: 4 kV
- LED display of input status
- Replaceable protection fuse
- UL - cUL approval and CE marking



Output specifications	Triac	Transistor
Voltage range (Vrms max)	12-280 ~	5-48 ≍
Peak voltage (t=1 min.) (V peak)	600 ~	60 ≍
Maximum off-state leakage (at Vmax and T = 25 °C)	2 mArms	10 µA
Maximum current (Arms)	5	3
Minimum current (mArms)	50	10
Max. 1-cycle surge T=25°C (V peak)	100	5
On-state voltage drop at Imax and T=25°C (V peak)	1.6	1.6
I ² t (t = 10 ms) (A ² s)	600	-
Static (off-state) dv/dt (V/µs)	200	n/a
Rth junction/ambient air	20.3° C/W	22.6° C/W

Input specifications	Triac	Transistor
Input voltage (V)	4-32 ≍	4-32 ≍
Drop-out voltage	1V ≍	1V ≍
Maximum current (at Vmax)	22	16
Nominal input resistance	Regulated input	
Response time (close)	< 10 ms	50 µs
Response time (open)	< 10 ms	50 µs

Characteristics	Triac	Transistor
Operating temperature (° C)	-30 to +80	-30 to +80
Storage temperature (° C)	-40 to +100	-40 to +100
Input to output insulation voltage (Vrms)	4000	
Input/output capacitance (pF)	8	
Replaceable protection fuse	Yes	Yes
LED display of input status of input status	Yes	Yes
Capacity of input and output terminals	with ferrule : 2 x 1.5 mm ² without ferrule : 2 x 2.5 mm ² 1 x 4 mm ²	

For replacement fuses, see page 4/32

Part numbers

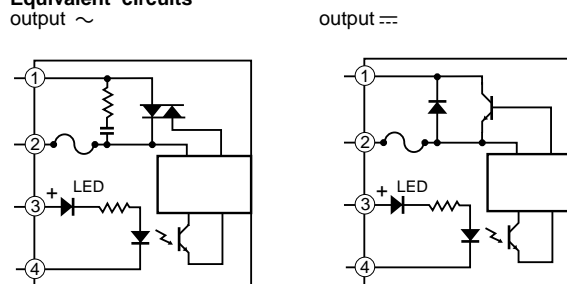
Zero voltage switching (output ~)

Rating	Output	Input	Part Number
3 A	5-48 V ≍	4-32 V ≍	84 130 104
5 A	12-280 V ~	4-32 V ≍	84 130 105

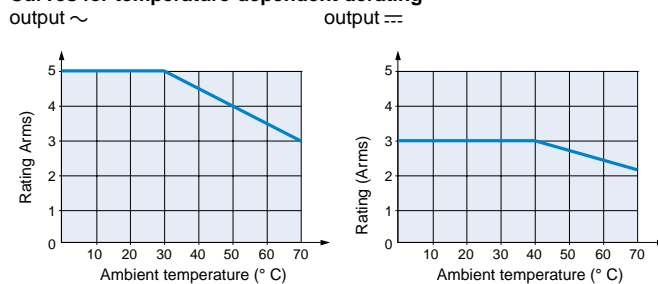
Instantaneous switching

Rating	Output	Input	Part Number
5 A	12-280 V ~	4-32 V ≍	84 130 108

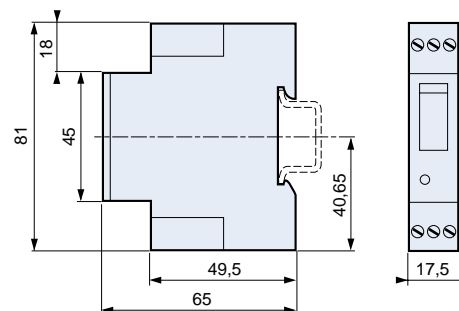
Equivalent circuits



Curves for temperature-dependent derating



Dimensions



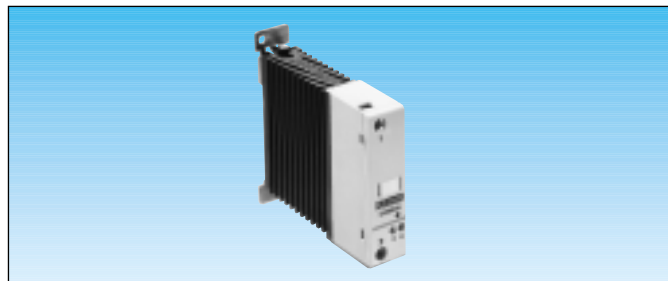
To order, specify :

Standard products

1 Part number

Example: Solid state relay - GMS range - 84 130 104

- Single phase
- Complete, compact units
- Tailor-made solution to current sinks
- DIN rail and panel mounting
- Rating: 12 and 25 A (Triac) - 25 A (SCR)
- Protection by RC filter
- Optional protection by removable varistor
- LED display of input status
- UL - cUL approval and CE marking



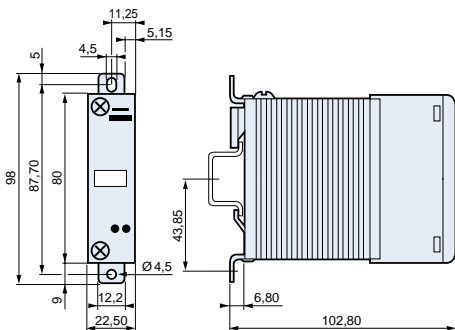
Output specifications	Triac	SCR
Voltage range (Vrms max)	24-280	48-660
Peak voltage (t=1 min.) (Vpeak)	600	1200
Maximum current (A)	12 - 25	25
Maximum off-state leakage (at Vmax and T = 25 °C)	15	20
Minimum current (mA rms)	50	100
Max. 1-cycle surge T=25°C (A peak)	100 - 250	750
Max. 1-second surge T=25°C (A peak)	30 - 75	145
On-state voltage drop at Imax and T=25°C (Vpeak)	1.6	1.6
I ² t (t=10ms) A ² s	312 - 750	1250
Static (off-state) dv/dt (V/μs)	200	500
Supply frequency range (Hz)	47 to 80	47 to 80
cos φ (Zero voltage)	> 0.5	> 0.5
Rth junction/ambient air	4.9 - 3.6° C/W	2.5° C/W

Input specifications	Triac	SCR
Input voltage (V)	90-280 ~ ≍	4-32 ≍
Drop-out voltage	10 Vrms	1V ≍
Maximum current (at Vmax)	5.5 mA rms	12 mA
Nominal input resistance	45 kΩ	3 kΩ
Response time (close)	20 ms	0.5 cycle max.
Response time (open)	30 ms	0.5 cycle max.

For instantaneous switching models, turn-on time is less than 100 μs

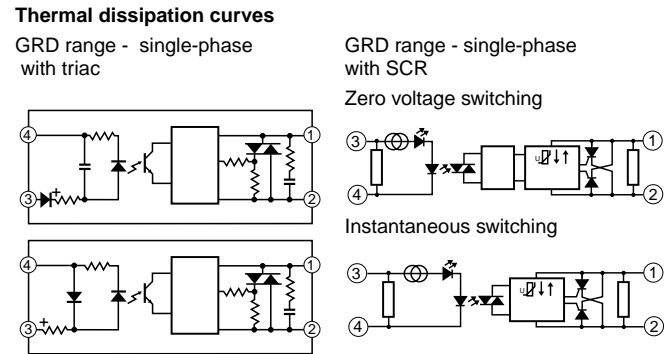
Characteristics	Triac	SCR
Operating temperature (° C)	-20 to +80	-20 to +80
Storage temperature (° C)	-40 to +100	-40 to +100
Input to output insulation voltage (Vrms)	4000	4000
Breakdown voltage (Vrms)	2500	2500
Input/output capacitance (pF)	8	8
Material	Casing	Self-extinguishing (UL 94 V0)
	Baseplate	Aluminium
Weight (g)	250	250
Terminal capacity	Ø 2 mm max.	Ø 2 mm max.

Dimensions



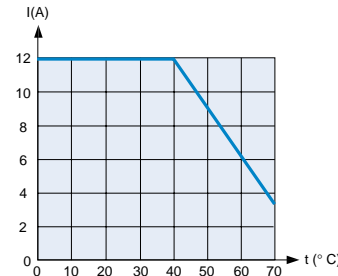
Part numbers				
Zero voltage switching				
Rating	Output voltage	Input voltage	Triac	SCR
12 A	24-280 V ~	180-280 V ~ ≍	84 130 100	
		4-32 V ≍	84 130 101	
		90-140 V ~	84 130 150	
25 A	24-280 V ~	180-280 V ~ ≍	84 130 102	
		4-32 V ≍	84 130 103	
		90-140 V ~	84 130 152	
25 A	48-660 V ~	180-280 V ~ ≍		84 130 118
		4-32 V ≍		84 130 116
		90-140 V ~		84 130 158

Instantaneous switching			
Rating	Output voltage	Input voltage	SCR
25 A	48-660 V ~	4-32 V ≍	84 130 117

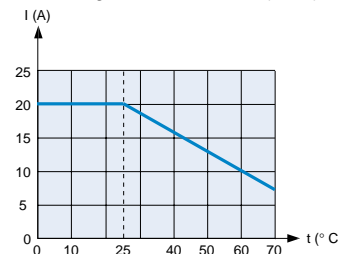


Curves for temperature-dependent derating

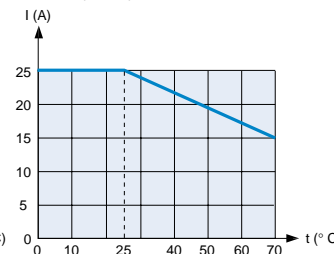
GRD range 22.5 mm - 12 A (Triac)



GRD range 22.5 mm - 25 A (Triac)



25 A (SCR)



To order, specify :

Standard products

1 Part number
Example: Solid state relay GMS range 22.5 mm - 84 130 100

Standard products, non stocked

- Three-phase
- Complete, compact units
- Tailor-made solution to current sinks
- DIN rail and panel mounting
- Rating: 3 x 25 A
- Back-to-back SCRs
- Protection by RC filter
- Optional protection by removable varistor
- LED display of input status
- UL - cUL approval and CE marking



Output specifications

Voltage range (Vrms max)	48-660
Peak voltage (t=1 min.) (Vpeak)	1200
Maximum current (A)	3 x 25
Maximum off-state leakage (mA) at Vmax and T = 25 °C	20 per phase
Minimum current (mArms)	100 per phase
Max. 1-cycle surge T=25°C (A peak)	500
Max. 1-second surge T=25°C (A peak)	145
On-state voltage drop at Imax and T=25°C (Vpeak)	1.6
I2t (t=10ms) A2s	1260
Static (off-state) dv/dt (V/μs)	500
Supply frequency range (Hz)	47 to 80
cos φ (Zero voltage)	> 0.5
Rth junction/ ambient air	1° C/W

SCR

Rating	Output voltage	Input voltage	SCR
3 x 25 A	48-660 V ~	90-280 V ~ ≡	84 130 311
		4-32 V ≡	84 130 310

Part numbers

Zero voltage switching

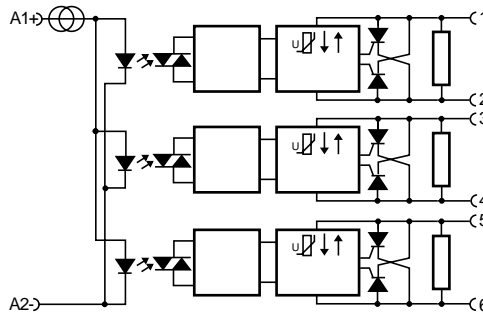
Rating	Output voltage	Input voltage	SCR
3 x 25 A	48-660 V ~	90-280 V ~ ≡	84 130 311
		4-32 V ≡	84 130 310

Instantaneous switching

Rating	Output voltage	Input voltage	SCR
3 x 25 A	48-660 V ~	4-32 V ≡	84 130 312

Thermal dissipation curves

GRD range - three-phase with SCR



Input specifications

Input voltage (V)	90-280 ~ ≡	4-32 ≡
Drop-out voltage	10 Vrms	1V ≡
Maximum current (at Vmax)	10 mArms	10 mA
Nominal input resistance (kΩ)	45	3
Response time (close)	20 ms	0.5 cycle max.
Response time (open)	30 ms	0.5 cycle max.

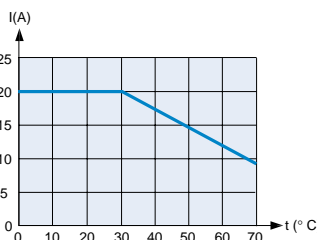
For instantaneous switching models, turn-on time is less than 100 μs

Characteristics

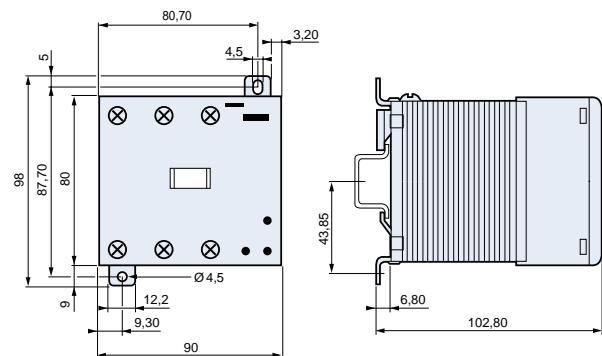
Operating temperature (°C)	-20 to +80
Storage temperature (°C)	-40 to +100
Input to output insulation voltage (Vrms)	4000
Breakdown voltage (Vrms)	2500
Input/output capacitance (pF)	8
Material	Casing: Self-extinguishing (UL 94 V0)
	Baseplate: Aluminium
Weight (g)	940

Curves for temperature-dependent derating

GRD range 90 mm - 3 x 20 A



Dimensions



To order, specify :

Standard products

Standard products, non stocked

1 Part number
Example: Solid state relay - GRD range 90 mm - 84 130 311

- Single phase
- Complete, compact units
- Tailor-made solution to current sinks
- DIN rail and panel mounting
- Rating: 35 and 45 A
- Back-to-back SCRs
- Protection by RC filter
- Optional protection by removable varistor
- LED display of input status
- UL - cUL approval and CE marking



Output specifications	SCR	
Voltage range (Vrms max)	48-660	
Peak voltage (t=1 min.) (Vpeak)	1000 ⁽¹⁾	
Maximum current (A)	35	45
Maximum off-state leakage at Vmax and T = 25 °C (mArms)	4	
Minimum current (mArms)	100	
Max. 1-cycle surge T=25°C (A peak)	750	
Max. 1-second surge T=25°C (A peak)	145	
On-state voltage drop at Imax and T=25°C (Vpeak)	1.6	
I2t (t=10ms) A2s	1260	5000
Static (off-state) dv/dt (V/μs)	500	
Supply frequency range (Hz)	47 to 80	
cos φ (Zero voltage)	> 0.5	
Rth junction /ambient air	3.78° C/W	1.65° C/W

Input specifications	90-280 ~ ≍	4-32 ≍
Input voltage (V)	90-280 ~ ≍	4-32 ≍
Drop-out voltage	10 Vrms	1V ≍
Maximum current (at Vmax)	10 mArms	12 mA
Nominal input resistance	45	3
Response time (close)	20 ms	0.5 cycle max.
Response time (open)	30 ms	0.5 cycle max.

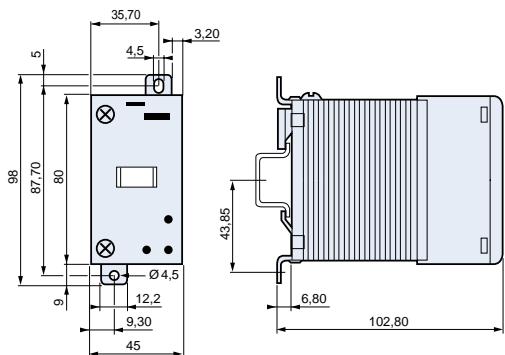
For instantaneous switching models, turn-on time is less than 100 μs

Characteristics

Operating temperature (° C)	-20 to +80	
Storage temperature (° C)	-40 to +100	
Input to output insulation voltage (Vrms)	4000	
Breakdown voltage (Vrms)	2500	
Input/output capacitance (pF)	8	
Material	Casing	Self-extinguishing (UL 94 V0)
	Baseplate	Aluminium
Weight (g)	490	
Input terminal capacity	Ø 2 mm max.	
Output terminal capacity	Ø 5.6 mm max.	

(1) Peak voltage 1200V, relay protected to 1100V ± 10%

Dimensions



Part numbers

Zero voltage switching

Rating	Output voltage	Input voltage	SCR
35 A	48-660 V ~	90-280 V ~ ≍	84 130 110
		4-32 V ≍	84 130 111
45 A	48-660 V ~	90-280 V ~ ≍	84 130 115
		4-32 V ≍	84 130 113

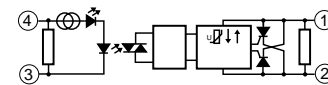
Instantaneous switching

Rating	Output voltage	Input voltage	SCR
35 A	48-660 V ~	4-32 V ≍	84 130 112
45 A	48-660 V ~	4-32 V ≍	84 130 114

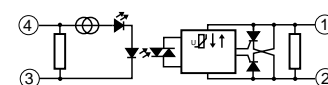
Thermal dissipation curves

GRD range - single-phase with SCR

Zero voltage switching



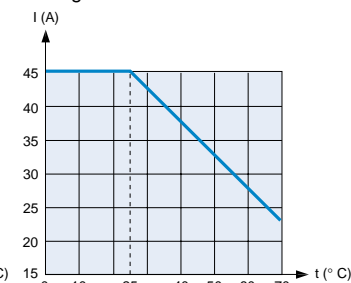
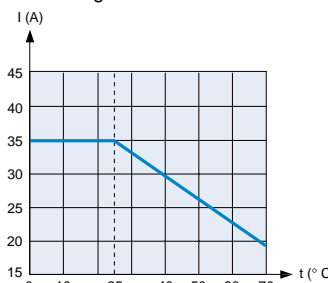
Instantaneous switching



Curves for temperature-dependent derating

GRD range 45 mm - 35 A

GRD range 45 mm - 45 A



To order, specify :

Standard products



Part number

Example: Solid state relay - GRD range 45 mm - 84 130 110

Standard products, non stocked

- Two-phase
- Complete, compact units
- Tailor-made solution to current sinks
- DIN rail and panel mounting
- Rating: 2 x 25 A
- Back-to-back SCRs
- Protection by RC filter
- Optional protection by removable varistor
- LED display of input status
- UL - cUL approval and CE marking



Output specifications	SCR
Voltage range (Vrms max)	48-660
Peak voltage (t=1 min.) (Vpeak)	1200
Maximum current (A)	3 x 25
Maximum off-state leakage (mA) at Vmax and T = 25 °C	20 per phase
Minimum current (mArms)	100 per phase
Max. 1-cycle surge T=25°C (A peak)	500
Max. 1-second surge T=25°C (A peak)	135
On-state voltage drop at Imax and T=25°C (Vpeak)	1.6
I2t (t=10ms) A2s	1260
Static (off-state) dv/dt (V/μs)	500
Supply frequency range (Hz)	47 to 80
cos φ (Zero voltage)	> 0.5
Rth junction/ambient air	1° C/W

Input specifications	90-280 ~ ≍	4-32 ≍
Input voltage (V)	10 Vrms	1V ≍
Drop-out voltage	10 mArms	10 mA
Maximum current (at Vmax)	45	3
Nominal input resistance (kΩ)		
Response time (close)	20 ms	0.5 cycle max.
Response time (open)	30 ms	0.5 cycle max.

For instantaneous switching models, turn-on time is less than 100 μs

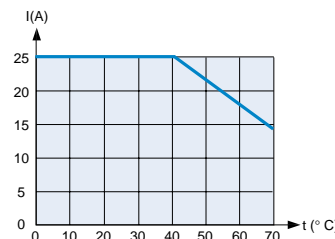
Characteristics	
Operating temperature (°C)	-20 to +80
Storage temperature (°C)	-40 to +100
Input to output insulation voltage (Vrms)	4000
Breakdown voltage (Vrms)	2500
Input/output capacitance (pF)	8
Material	Casing: Self-extinguishing (UL 94 V0)
	Baseplate: Aluminium
Weight (g)	940

Part numbers

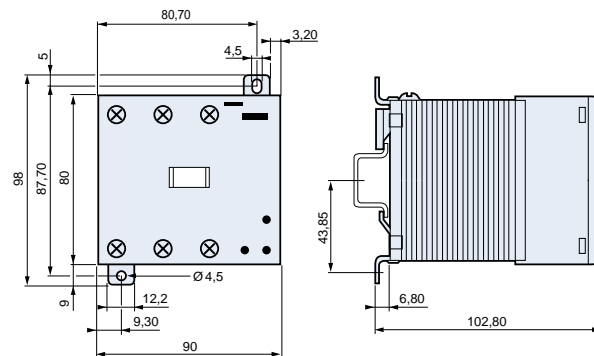
Zero voltage switching			
Rating	Output voltage	Input voltage	SCR
2 x 35 A	48-660 V ~	90-280 V ~ ≍	84 130 322
		4-32 V ≍	84 130 320

Instantaneous switching			
Rating	Output voltage	Input voltage	SCR
2 x 35 A	48-660 V ~	4-32 V ≍	84 130 321

Curves for temperature-dependent derating
GRD range 90 mm - 2 x 25 A



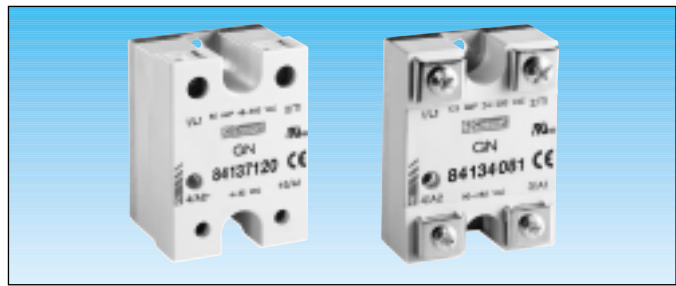
Dimensions



To order, specify:

Standard products	1 Part number
	Example: Solid state relay - GRD range - 84 130 222

- Currents from 10 to 125 A
- Output voltage from 24 to 660 VAC
- Optimum thermal response
- Regulated AC and DC control input
- Control status LED
- Available with or without protective cover



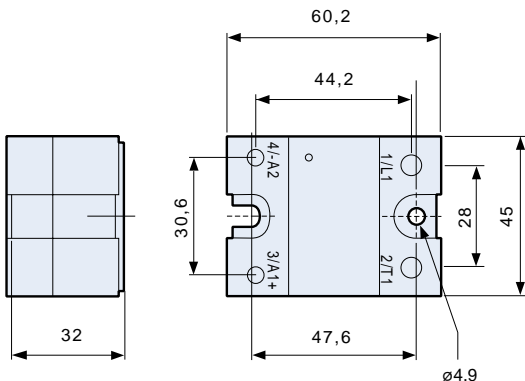
1

Part numbers

Current	Output voltage	Input voltage	Zero voltage switching		Instantaneous switching	
			with cover	without cover	with cover	without cover
10A	24-280VAC	4-32VDC	84 137 000	84 134 000	84 137 200	84 134 200
		18-36VAC/DC	84 137 002	84 134 002	84 137 202	84 134 202
		90-280VAC/DC	84 137 001	84 134 001	84 137 201	84 134 201
10A	48-660VAC	4-32VDC	84 137 100	84 134 100	84 137 300	84 134 300
		18-36VAC/DC	84 137 102	84 134 102	84 137 302	84 134 302
		90-280VAC/DC	84 137 101	84 134 101	84 137 301	84 134 301
25A	24-280VAC	4-32VDC	84 137 010	84 134 010	84 137 210	84 134 210
		18-36VAC/DC	84 137 012	84 134 012	84 137 212	84 134 212
		90-280VAC/DC	84 137 011	84 134 011	84 137 211	84 134 211
25A	48-660VAC	4-32VDC	84 137 110	84 134 110	84 137 310	84 134 310
		18-36VAC/DC	84 137 112	84 134 112	84 137 312	84 134 312
		90-280VAC/DC	84 137 111	84 134 111	84 137 311	84 134 311
50A	24-280VAC	4-32VDC	84 137 020	84 134 020	84 137 220	84 134 220
		18-36VAC/DC	84 137 022	84 134 022	84 137 222	84 134 222
		90-280VAC/DC	84 137 021	84 134 021	84 137 221	84 134 221
50A	48-660VAC	4-32VDC	84 137 120	84 134 120	84 137 320	84 134 320
		18-36VAC/DC	84 137 122	84 134 122	84 137 322	84 134 322
		90-280VAC/DC	84 137 121	84 134 121	84 137 321	84 134 321
75A	24-280VAC	4-32VDC	84 137 030	84 134 030	84 137 230	84 134 230
		18-36VAC/DC	84 137 032	84 134 032	84 137 232	84 134 232
		90-280VAC/DC	84 137 031	84 134 031	84 137 231	84 134 231
75A	48-660VAC	4-32VDC	84 137 130	84 134 130	84 137 330	84 134 330
		18-36VAC/DC	84 137 132	84 134 132	84 137 332	84 134 332
		90-280VAC/DC	84 137 131	84 134 131	84 137 331	84 134 331
100A	24-280VAC	4-32VDC	84 137 040	84 134 040	84 137 240	84 134 240
		18-36VAC/DC	84 137 042	84 134 042	84 137 242	84 134 242
		90-280VAC/DC	84 137 041	84 134 041	84 137 241	84 134 241
100A	48-660VAC	4-32VDC	84 137 140	84 134 140	84 137 340	84 134 340
		18-36VAC/DC	84 137 142	84 134 142	84 137 342	84 134 342
		90-280VAC/DC	84 137 141	84 134 141	84 137 341	84 134 341
125A	24-280VAC	4-32VDC	84 137 080	84 134 080	84 137 280	84 134 280
		18-36VAC/DC	84 137 082	84 134 082	84 137 282	84 134 282
		90-280VAC/DC	84 137 081	84 134 081	84 137 281	84 134 281
125A	48-660VAC	4-32VDC	84 137 180	84 134 180	84 137 380	84 134 380
		18-36VAC/DC	84 137 182	84 134 182	84 137 382	84 134 382
		90-280VAC/DC	84 137 181	84 134 181	84 137 381	84 134 381

4

Dimensions

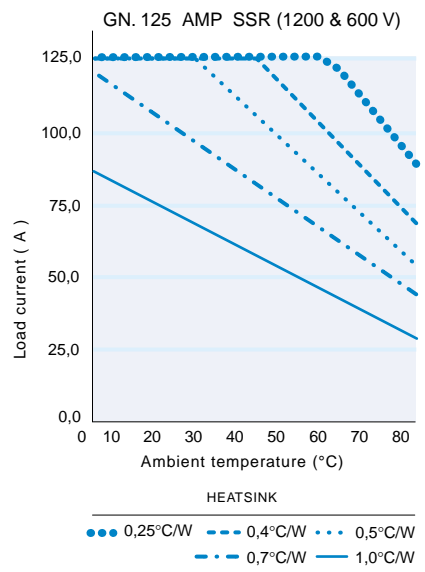
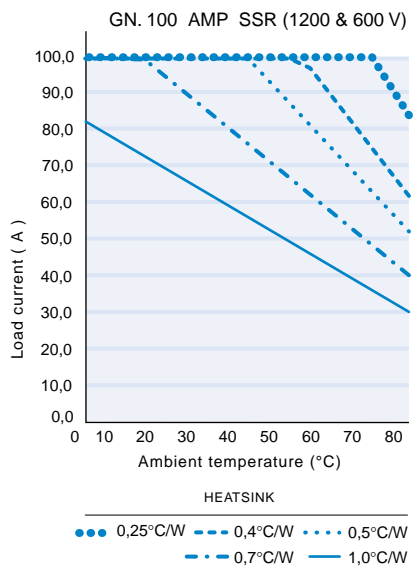
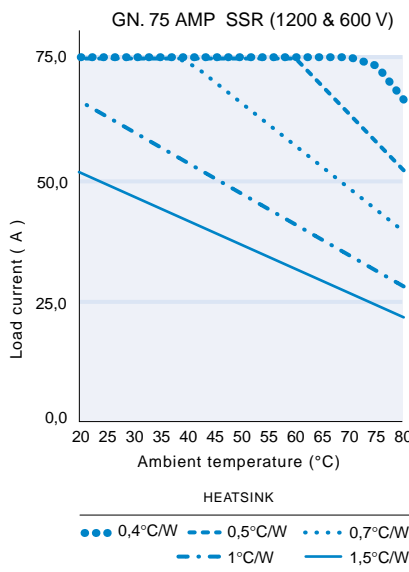
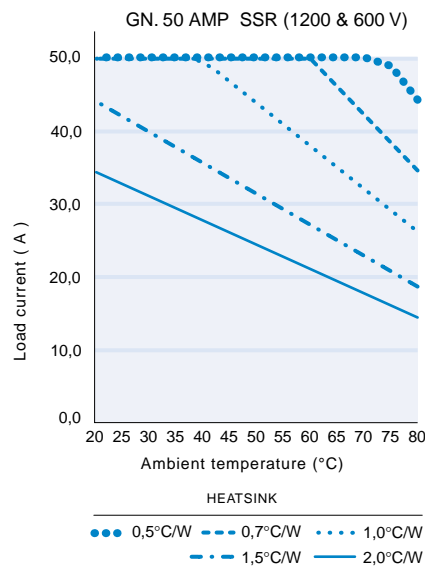
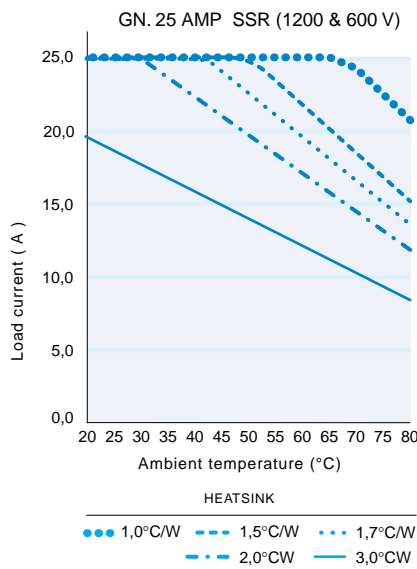
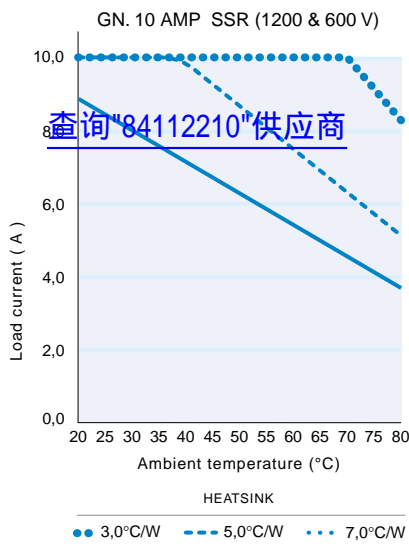


Characteristics

Operating temperature (C°)	- 20 to + 80
Storage temperature (C°)	- 40 to + 100
I/O insulation voltage (Vrms)	4000
Breakdown voltage (Vrms)	2500
Input/output capacitance (pF)	8
Frequency (Hz)	47 to 80
Material	Casing polycarbonate UL-94V
Material	Baseplate Zamak
Weight	Ip 20 114 g
Weight	Ip 00 97 g

To order, specify :

Standard products	1 Part number
Standard products, non stocked	Example: Single phase solid state relay - 84 137 120



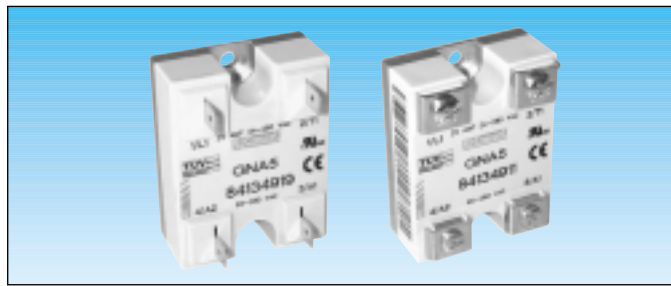
Control specifications

	4-32 VDC	18-36 VAC/DC	90-280VAC/DC
Drop-out voltage	1V	1V	10V
Max. regulated current (mA)	14	20	8.5
Turn-on time (ms) (zero voltage relay)	8.33 (60Hz) - 10 (50Hz)	20	20
Turn-on time (ms) (instantaneous relay)	0.1	0.1	0.1
Turn-off time (ms)	8.33 (60Hz) - 10 (50Hz)	30	30

Output specifications

	24-280 VAC			48-660 VAC		
Peak voltage not rep. (Vp)	600			1200		
Off-state leakage (@ Vmax and T=25°C)	2.5 - 4.25			2.75 - 4.75		
Max. current (A)	10	25	50	75	100	125
Minimum current (mA)	100	100	100	100	100	100
Max. non-rep. 1 s surge (T=25°C) (A)	80	150	235	300	360	510
Max. non-rep. 1-cycle surge (T=25°C) (A)	300	500	780	1000	1200	1700
I ² t (50Hz-60Hz) (A ² S)	375-450	1041-1250	2535-3042	4166-5000	6000-7000	12041-14450
Voltage drop at Imax (T=25°C) (V)	1.4	1.4	1.35	1.3	1.3	1.25
Static dV/dt (V/μs)	500	500	500	500	500	500
Thermal resistance Junction/to casing (°C/W)	0.4	0.4	0.25	0.155	0.155	0.15

- Intended for resistive loads
- Current ratings 10 and 25 A
- Output voltage 24 to 280 V ~
- "Zero voltage" switching
- Optimum thermal response
- Control input 3-32 V \equiv , 18 to 36 V ~, 90 to 280V ~
- Connection via screws or faston connectors
- UL/cUL, TUV approval and CE marking



Output specifications

Range	24-280 V ~	
Non-rep. peak voltage (Vp)	500	
Maximum off-state leakage (at Vmax and T = 25° C) (mA)	4.75	
Peak voltage (Arms)	10	25
Minimum current (mArms)	100	100
Max. non-rep. surge for 1 s (T = 25° C (A))	30	75
Max. non-rep. surge for 1 cycle (T = 25° C (A))	100	250
I ² t (50 Hz-60Hz) (A ² s)	50 - 41	288 - 240
Voltage drop at Imax T = 25° C (V)	1.65	1.85
Static dV/dt (V/μs)	200	200
Rth junction/casing (°C/W)	3	2

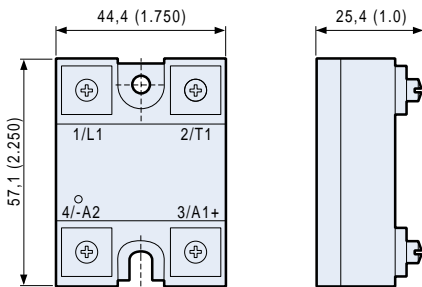
Input specifications

	4-32 V \equiv	18-36 V ~ \equiv	90-280 V ~ \equiv
Drop-out voltage (V)	1	2	10
Max. current (mA)	14	8	8.5
Turn-on time (ms)	8.33 (60Hz)	20	20
Turn-off time (ms)	10 (50Hz)		
Turn-off time (ms)	8.33 (60Hz)	30	30
Turn-off time (ms)	10 (50Hz)		

Characteristics

Operating temperature (°C)	-20 to +80		
Storage temperature (°C)	-40 to +100		
I/O insulation voltage (Vrms)	4000		
Breakdown voltage (Vrms)	2500		
Input/output capacitance (pF)	8		
Frequency (Hz)	47 to 63		
Material	Casing	UL 94 V	
	Baseplate	Zamak	
Weight (g)	97		

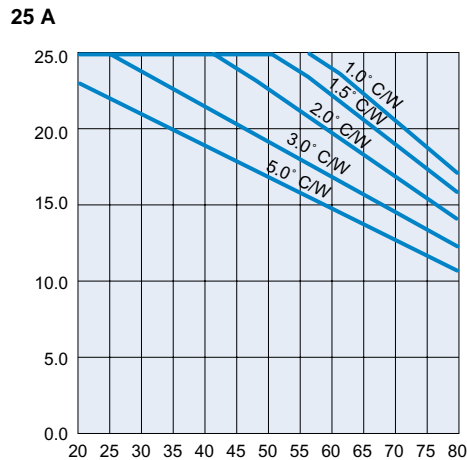
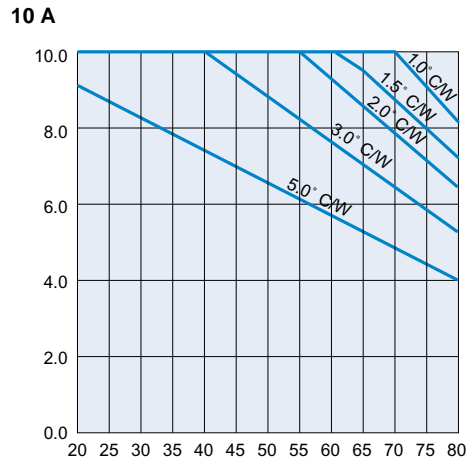
Dimensions



Part numbers

Rating	Output voltage	Input voltage	Screw	Faston
10 A	24-280 V ~	3-32 V \equiv	84 134 900	84 134 907
		18-36 V ~ \equiv	84 134 902	84 134 908
		90-280 V ~ \equiv	84 134 901	84 134 909
25 A	24-280 V ~	3-32 V \equiv	84 134 910	84 134 917
		18-36 V ~ \equiv	84 134 912	84 134 918
		90-280 V ~ \equiv	84 134 911	84 134 919

Thermal dissipation curves



To order, specify:

Standard products	1 Part number Example : GN Triac low-cost single-phase solid state relay - 84 134 900
Standard products, non stocked	

[查询"84132210"供应商](#)

HOME

MANUALS

DISTRIBUTORS

SUBSCRIPTIONS

CROUZET WEBSITES

WEBMASTER

Courtesy of Steven Engineering, Inc. • 230 Ryan Way, South San Francisco, CA, 94080-6370 • Main Office: (650) 588-9200 • Outside Local Area: (800) 253-9200 • www.stevenengineering.com

RESULT OF YOUR SEARCH

You are in : [Control Automation](#) / [Solid state relays](#) / [Single-phase GN](#) / [GND](#) / [FET VERSION](#) / [84 137 870](#)

84 137 870 [Specifications](#) [Products in the same range](#)

Selling points of the range :

- FET transistor versions 10, 15 and 30 A
- Bipolar transistor version 10 A
- Control voltage : 3 to 32 V
- Optimum thermal response
- Available with or without protective cover
- UL/Cul, TUV approval and CE marking



Specifications

Current	30 A
Output voltage	1 - 50 V DC
input voltage	3 - 32 V DC
Protective cover	with protective cover
Turn-off voltage (V)	1
Thermal resistance Junction to casing (°C/W)	FET 10 A - 15 A : 2,25 FET 30 A : 2,45
Inputs specifications	
Output characteristics	
Max. controlled current	20 mA
Response time (close) (µs)	2
Response time on closing (µs)	50
Max. non-rep. 10 µ(T=25°C) (A)	FET 10 A : 60 FET 15 A : 120 FET 30 A : 160
Minimum current (mA)	1

Products in the same range

Bipolar version

Current	Output voltage	input voltage	Protective cover	Part number
10 A	3 - 60 V DC	3 - 32 V DC	without protective cover	84 134 750
10 A	3 - 60 V DC	3 - 32 V DC	with protective cover	84 137 750

FET VERSION

Current	Output voltage	input voltage	Protective cover	Part number
10 A	1 - 200 V DC	3 - 32 V DC	without protective cover	84 134 850
15 A	1 - 100 V DC	3 - 32 V DC	without protective cover	84 134 860
30 A	1 - 50 V DC	3 - 32 V DC	without protective cover	84 134 870
10 A	1 - 200 V DC	3 - 32 V DC	with protective cover	84 137 850
15 A	1 - 100 V DC	3 - 32 V DC	with protective cover	84 137 860
30 A	1 - 50 V DC	3 - 32 V DC	with protective cover	84 137 870



- Reverses rotation of three-phase motors
- Output voltage 24-480 V~
- Input voltage 3-32 V \equiv
- Input to output insulation voltage: 100ms
- Interlock against simultaneous actuation in both directions
- Back-to-back SCRs
- Input to output insulation voltage: 5000 V ~
- Protected by RC filter and overvoltage limiter
- Direction of rotation displayed by 2 green LEDs

Output specifications

Voltage range (Vrms)	24-480
Peak voltage (V peak)	1000
Maximum current (Arms)	25
Minimum current (mArms)	200
Max. 1-cycle surge (A peak)	270
Maximum off-state leakage (mArms)	10
I ² T (t=10ms)	365
On-state voltage drop at I _{max} and T=25°C	1.6 Vrms
Thermal resistance/Junction to casing (o C/W)	0.2
Static (off-state) dv/dt (V/μs)	500
Supply frequency range (Hz)	47 to 63
Response time (ms)	0.2
Maximum turn-off time (ms)	20
Reversing time (ms)	100

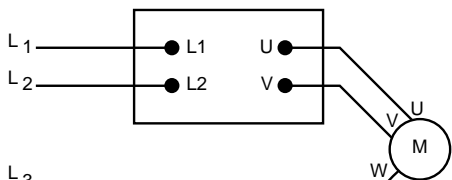
Input specifications

Input voltage (V)	3-32 \equiv
Drop-out voltage (V \equiv)	1
Max. input current (mA)	20
(input regulated current and limited)	
Nominal resistance (+/- 10% at 25°C) (kΩ)	1

Characteristics

Operating temperature (°C)	-20 to +80
Storage temperature (°C)	-40 to +100
Input to output insulation voltage	5000 V ~
Breakdown voltage	4000 V ~
Input/output capacitance (pF)	8
Material Casing	Self-extinguishing
Baseplate	Aluminium
Weight (g)	455

Connection



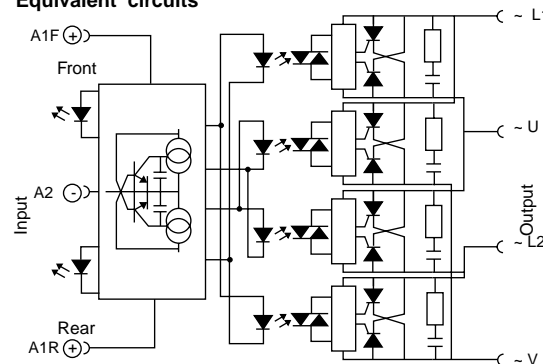
Part number

84 067 441

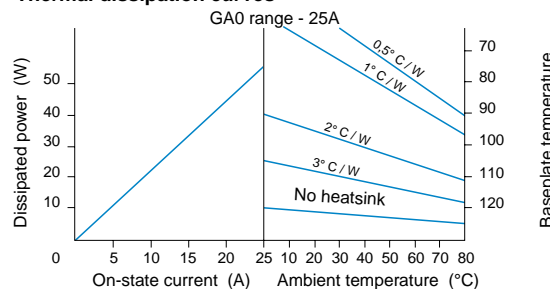
Accessories

Protective cover (see page 4/31)	26 532 797
Heatsink (see page 4/30)	
Heat transfer compound (see page 4/32)	18 373 112
DIN rail adaptor (see page 4/31)	26 532 764
Quick-blow fuses (see page 4/32)	

Equivalent circuits

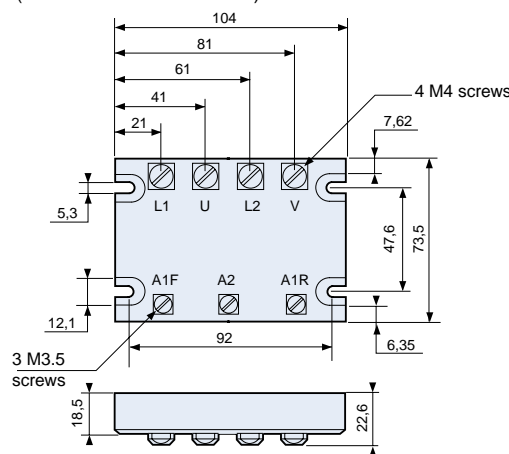


Thermal dissipation curves



Dimensions

(General tolerances +/- 0.5)



To order, specify:

Standard products

1

Part number

2

Accessory

Example: Solid state three-phase motor reversing relay - GA0 range - 84 067 441 - Protective cover - 26 532 797

- For controlling three-phase loads
- Rating 10, 25, 45 A
- Output voltages to 660 Vrms
- Control voltage 4-32 V \equiv or 90-280 V \sim
- Peak voltage 2200 V
- Back-to-back SCR output
- Input to output insulation voltage: 4000 Vrms
- Protected against overvoltages by RC filter and overvoltage limiter
- Zero voltage or instantaneous switching

Output specifications

Voltage range (Vrms)	24-660		
Peak voltage (V peak)	1200		
Maximum current (Arms)	10	25	45
Minimum current (mArms)	200	200	200
Max. 1-cycle surge (A peak)	160	270	450
Leakage current (mArms)	10	10	10
I2t (t=10ms)	128	365	1000
On-state voltage drop at I _{max} and T=25°C (V _{max})	1.6		
Thermal resistance/Junction to casing (o C/W)	0.25 ° C/W	0.25 ° C/W	0.2 ° C/W
Supply frequency range (Hz)	47 to 63		
Static (off-state) dv/dt	500 V μ s		
Response time	3-32 V \equiv	11 ms	
	90-280 V \sim	20 ms	
Maximum turn-off time	3-32 V \equiv	11 ms	
	90-280 V \sim	30 ms	

(For instantaneous 3-32 V \equiv switching models, turn-on time is less than 100 μ s and turn-off time less than 1/2 cycle.)

Input specifications

Input voltage (V)	90-280 \sim	4-32 \equiv
Max. input current (mA) (input current limited)	10	20
Drop-out voltage (V)	10 \sim	1 \equiv
Nominal input resistance (k Ω)	1	

Characteristics

Operating temperature (°C)	-20 to +80
Storage temperature (°C)	-40 to +100
Input to output insulation voltage (Vrms)	4000
Breakdown voltage (T=25°C, 1s) (Vrms)	4000
Input/output capacitance (pF)	< 8
Insulation resistance (M Ω)	104
Material Casing	Self-extinguishing (UL 94 V0)
Baseplate	Aluminium
Weight (g)	450



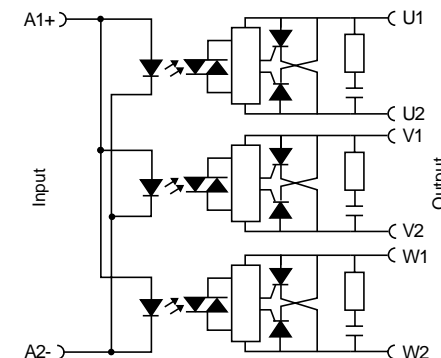
Part numbers

Rating	Switching mode	Input voltage	
10 A	Zero voltage	4-32 V \equiv	84 068 251
	Instantaneous	4-32 V \equiv	84 028 251
25 A	Zero voltage	90-280 V \sim	84 068 453
	Instantaneous	90-280 V \sim	84 028 453
45 A	Zero voltage	90-280 V \sim	84 068 653
	Instantaneous	90-280 V \sim	84 028 653

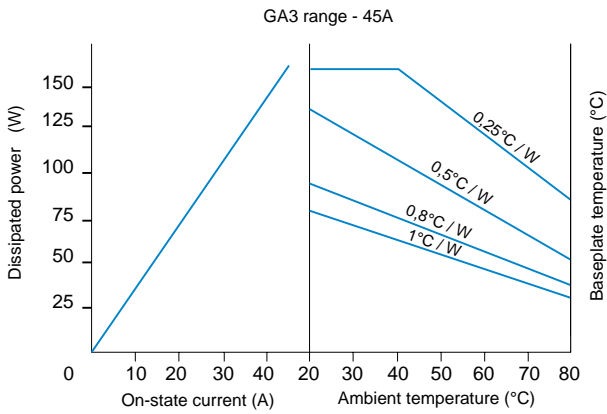
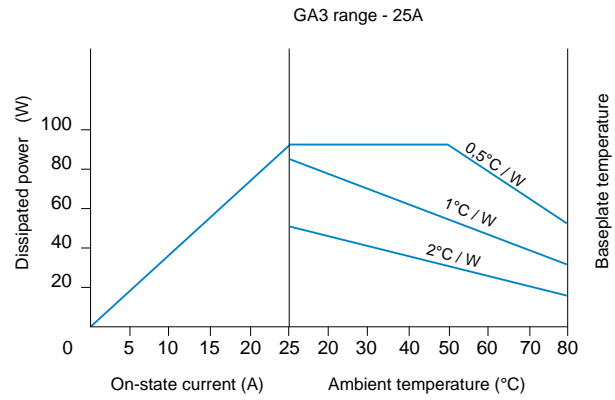
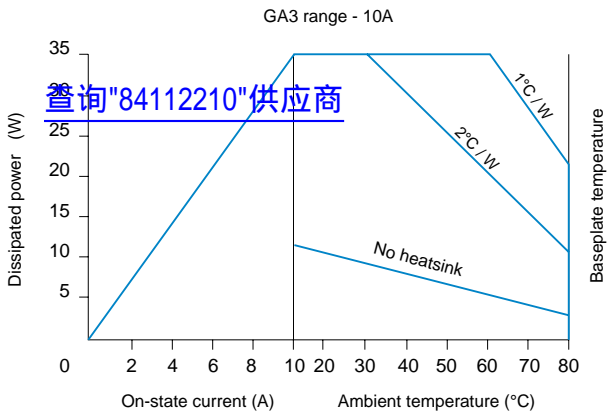
Accessories

Protective cover (see page 4/31)	26 532 796
Heatsinks (see page 4/30)	
Heat transfer compound (see page 4/32)	18 373 112
DIN rail adaptor (see page 4/31)	26 532 764
Quick-blow fuses (see page 4/32)	

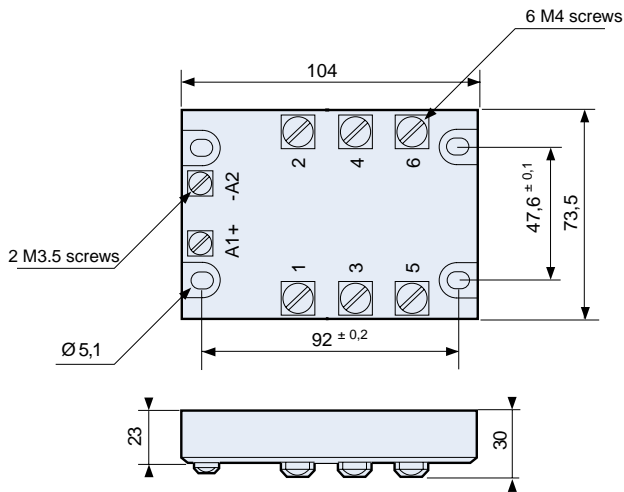
Equivalent circuits



Thermal dissipation curves



Dimensions



To order, specify:

Standard products



Part number



Accessory

Example: Solid state three-phase relay - GA3 range - 84 068 451 - Protective cover - 26 532 796

Standard products, non stocked

- PCB-mountable (flat pack = GA1, SIP = GA8)
- Rating: 4 A-5 A
- Peak voltage: 600 V
- Will withstand a 1-cycle 100 A surge
- **Zero voltage switching**
- UL - cUL 3 A approval and CE marking
- Zero voltage or instantaneous switching (5A only)
- Input to output insulation voltage: 4000 V
- Protection by RC filter

Output specifications

	24-280	24-280
Voltage range (Vrms)	24-280	24-280
Peak voltage (Vpeak)	600	850
Maximum current (Vpeak)	4 or 5 depending on part no.	3
Minimum current (Vpeak)	0.05	0.05
Max. 1-cycle surge (Apeak)	100	100
Maximum off-state leakage (mArms)	6	6
On-state voltage drop at Imax and T =25°C (V peak)	1.6	1.65
Static (off-state) dv/dt (V/μs)	200	200
Maximum response time (close)	0.5 cycle	0.5 cycle
Supply frequency range	47 to 63	47 to 63

Input specifications

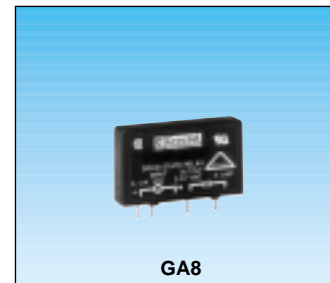
Input voltage (V)	3-32 \equiv
Drop-out voltage (V \equiv)	1
Maximum current at Vmax (mA)	25
Nominal input resistance (kΩ)	regulated

Characteristics

Operating temperature (°C)	-30 to +80
Storage temperature (°C)	-40 to +100
Input to output insulation voltage (Vrms)	4000
Input/output capacitance (pF)	8
Weight (g)	15



GA1



GA8

1

Zero voltage switching

Rating	Range	Output voltage	Input voltage	
4 A	GA 1	24-280 V ~	3-32 V \equiv	84 064 131
	GA 8	24-280 V ~	3-32 V \equiv	84 065 131
5 A	GA 8	24-280 V ~	3-32 V \equiv	84 065 030
3 A	GA 8	24-480 V ~	3-32 V \equiv	84 065 040

Instantaneous switching

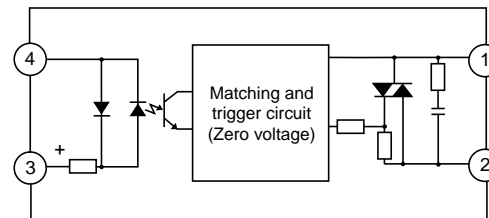
Rating	Range	Output voltage	Input voltage	
5 A	GA 8	24-280 V ~	3-32 V \equiv	84 025 030
3 A	GA 8	24-480 V ~	3-32 V \equiv	84 025 040

Accessories

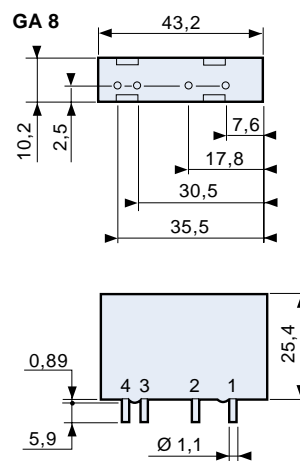
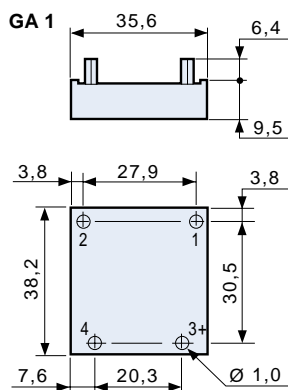
Quick-blow fuses (see page 4/32)

2

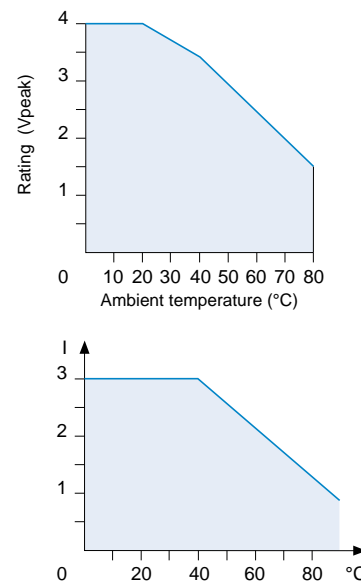
Equivalent circuits



Dimensions (General tolerances +/- 0.5)



Curves for temperature-dependent derating



To order, specify:

Standard products

1

Part number

2

Accessory

Standard products, non stocked

Example: Solid state relay - GA8 range - 84 065 131 - Fuse Z 084 363

- Patented operating principle (96 050 16)
- 35 A single-phase solid state relay - ready for use
- Zero voltage switching
- Provides visual indication and electrical signal if a fault occurs in the circuit or on the relay
- LED display of
 - input status
 - relay status
 - relay overheating
- 2 alarm outputs : 4-32 VDC push-pull transistor



Operating principle

SMART SSR is a solid state relay which monitors its own correct operation in addition to that of the load being controlled.

SMART SSR provides information about the state of the relay and the load via 3 LED indicators and 2 alarm outputs.

Operation

SMART SSR powers itself between the relay control input -ve terminal and the 4-32 V \equiv terminal.

When no faults are present and the relay is not being controlled, the alarm outputs are at 4-32 V \equiv and the LEDs are off.

When no faults are present and the relay is being controlled, the green LED lights up and the alarm outputs stay at 4-32 V \equiv .

If the mains voltage disappears or if the relay output is short-circuited, the alarm output changes to 0 V \equiv and the red LED flashes.

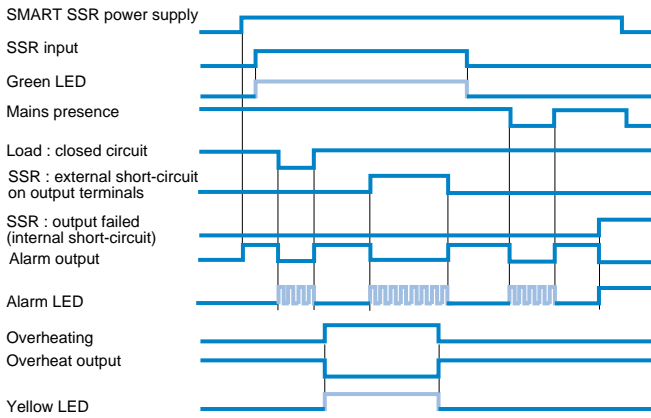
If the relay output is faulty, the alarm output changes to 0 V \equiv and the red LED is on.

If the relay overheats, the "overheat" output changes to 0 V \equiv and the yellow LED is on.

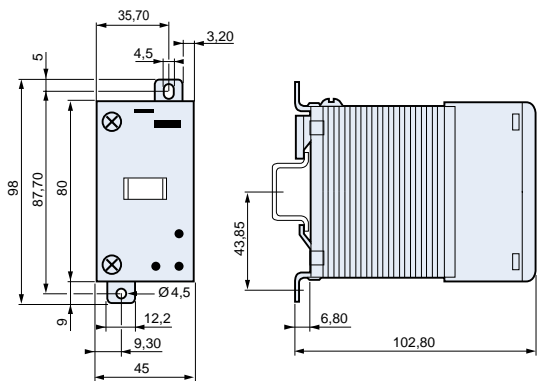
The overheat output is tripped when the internal temperature exceeds 125 °C.

The relay returns to normal state when the internal temperature drops to below 120 °C.

Operating diagram



Dimensions



To order, specify :

Standard products



Part number

Example : SMART SSR 84 130 511

Part number

Rating	Output voltage	Input voltage	84 130 511
35 A	48-530 V \sim	4-32 V	

Output specifications (up to 25 °C)

Voltage range (max. Vrms)	48-660
Peak voltage - t = 1 min (V)	1000
Max. current (A)	35
Off-state leakage at V max. and 25 °C (mA)	8
Max. current surge	750
1 cycle (Apeak)	145
1 sec (Apeak)	145
On-state voltage drop at I max (Vpeak)	1.6
I ² t - t = 10 ms (A ² s)	1260
Static dv/dt (V/ μ s)	500
Supply frequency range (Hz)	47 to 63
Thermal resistance Junction / ambient air	3.78 ° / W

Control input specifications

Input voltage (V)	4 to 32 \equiv
Drop-out voltage	1 V
Max. input current (mA)	10
Response time	0.5
on opening	
(max. period) on closing	0.5

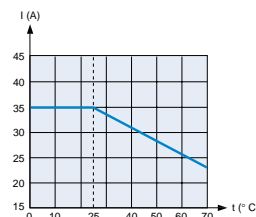
DC power supply / Alarm output

Supply voltage (in relation to the relay - terminal)	4 to 32 V \equiv
Current	15 to 45 mA
Voltage : alarm output	4 to 32 V \equiv
Current : alarm output	60 mA
Voltage : overheat output	4 to 32 V \equiv
Current : overheat output	60 mA

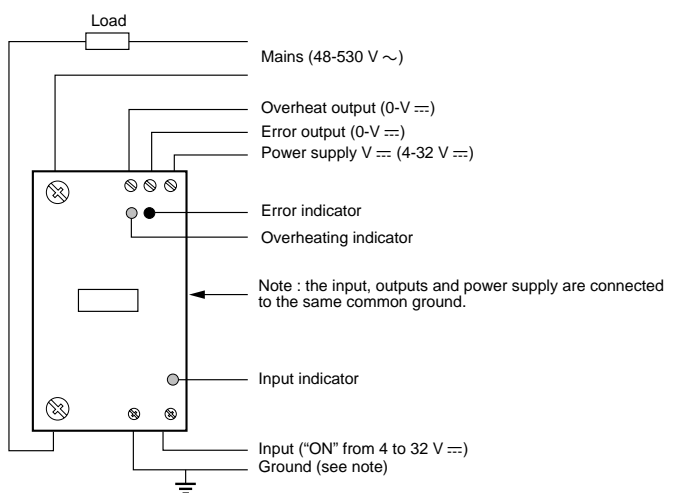
Characteristics

Temperature limits	Operation	-20 to 80 °C
	Stored	-40 to 100 °C
Input to output insulation voltage		4000 Vrms
Breakdown voltage		2500 Vrms
Input/output capacitance		8 pF

Curves for temperature-dependent derating



Connection



- Patented operating principle (96 050 16).
- Provides both visual and electrical information if a fault occurs in the circuit or on the solid state relay being controlled.
- For mounting on single-phase "hockey puck" type solid state relays.
- Peak voltage 1200 V ~ : suitable for solid state relays with DC input and A ~ output.
- Alarm output : 4-32 V ~ push-pull transistor
- Optical isolation 4000 V ~.
- Conforms with EC low-voltage directive.

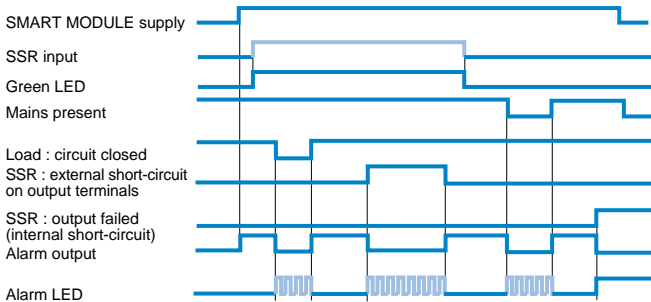


Operating principle

The SMART MODULE can be mounted on any single-phase solid state relay with DC input / AC output in a "hockey puck" casing. The SMART MODULE has a constant power supply to ensure that both the relay and the load being controlled are functioning correctly. The SMART MODULE provides information on the relay status by means of an LED display and an alarm output.

Operation

Power is supplied to the SMART MODULE between its 4-32 V ~ terminal (+) and the - terminal of the solid state relay control input. During correct operation when the relay is not being controlled, the alarm output is at 4-32 V ~ and the LEDs are off. During correct operation when the relay is being controlled, the green LED is on and the alarm remains at 4-32 V ~. If mains voltage is lost or there is a short-circuit on the relay output, the alarm output changes to 0 V ~ and the red LED flashes. If the relay output is faulty, the alarm output changes to 0 V ~ and the red LED comes on.



Part number

SMART MODULE **84 060 001**

Electrical characteristics

Input

Nominal supply voltage	5 to 24 V ~
Maximum voltage	32 V ~
Minimum voltage	3 V ~
Maximum voltage in stopped state	1V ~

(Maximum authorised voltage on relay input terminals before the SMART MODULE registers control is present).

Line voltage

Line voltage	48 to 660 VRMS
Peak voltage (1 min. max.)	1200 Vpeak
Leakage current (at maximum line voltage)	8 mA RMS

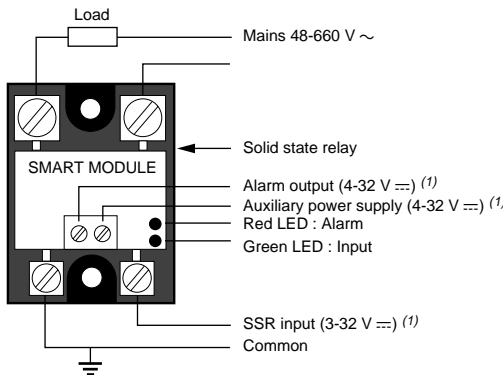
DC power supply / Alarm output

Power supply voltage (in relation to relay terminal 4)	4 to 32 V ~
Current	15 to 35 mA
Voltage : alarm output	4 to 32 V ~
Current : alarm output	60 mA

General characteristics

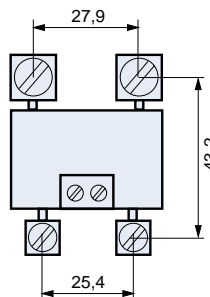
Temperature limits	operating	- 20 °C to + 80 °C
	storage	- 40 °C to +100 °C
Input / output insulation voltage (limited to 1 mA for 1 sec. - Ta = 25 °C)		4000 VRMS

Connections



(1) The SSR input, the SMART MODULE alarm output and the SMART MODULE + power supply all share the same - terminal.

Dimensions



To order, specify :

Standard products



Part number

Example : SMART MODULE 84 060 001

- Low-cost solid state relay - Triac output
- Extra-slim casing
- Output current 12 and 20 A
- Output voltages 24-280 V ~ and 36-530 V ~
- Control input 4-15 V ==
- Version with low off-state leakage (no RC circuit)
- Optical isolation 4 KV
- UL - cUL approval and CE marking



Output specifications (at 25 °C)

Voltage range (Vrms max.)	24-280	36-530
Peak voltage - t = min (V)	600	800
Off-state leakage at Vmax and 25 °C		
Standard - with RC circuit (mA)	4.2	5.3
Low off-state leakage - no RC circuit (mA)	0.1	0.1
Static dv/dt		
Standard - with RC circuit (V/μs)	500	500
Low off-state leakage - no RC circuit (V/μs)	250	250
Peak voltage (A)	12	20
Minimum current (mArms)	100	100
Max. 1-cycle surge (Apeak)	120	200
Max. 1-second surge (Apeak)	36	60
On-state voltage drop at I max (Vpeak)	1.65	1.55
I ² t (t = 10 ms) (50 Hz 1/2 wave) (A ² s)	55	55
I ² t (t = 8.33 ms) (60 Hz 1/2 wave) (A ² s)	50	50
Supply frequency range (Hz)	47 to 63	
Rth junction / casing (°K/W)	3	2.2

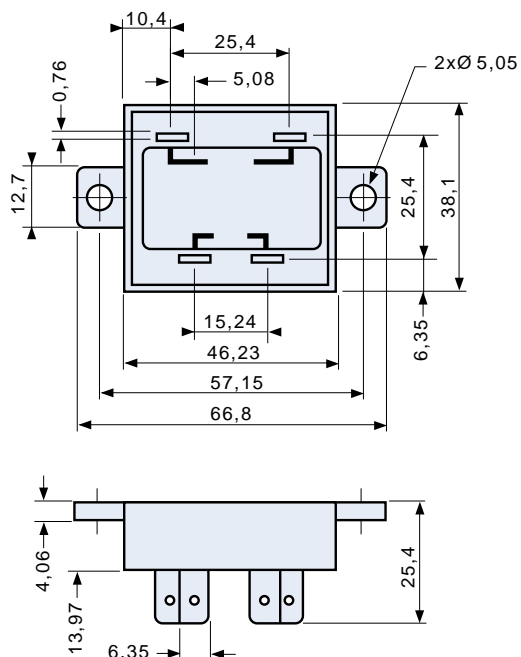
Control input characteristics

Input voltage (V)	4 to 15 ==
Drop-out voltage (V)	1
Maximum current (mA)	32 ma @ 15 V ==
36-530 V ~ version	
Zero voltage	63 ma @ 15 V ==
On-delay response time	
Zero voltage	0.5 cycle max.
Instantaneous (ms)	0.1
Off-delay response time	0.5 cycle max.

Characteristics

Temperature Use limits	-20 to 80 °C
Stored	-40 to 100 °C
Input to output insulation voltage (Vrms)	4000
Breakdown voltage (Vrms)	2500
Input/output capacitance (pF)	8

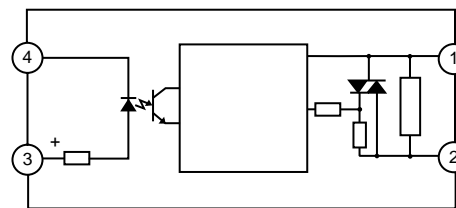
Dimensions



Part numbers

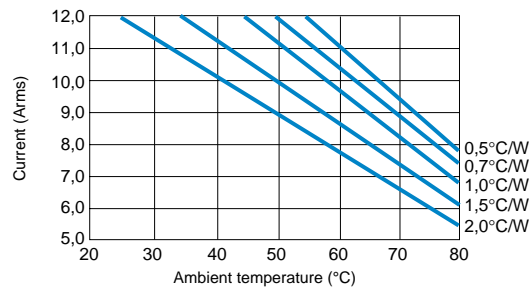
Rating	Output voltage	Switching	RC circuit	Part number
12 A	24-280 V ~	zero voltage	No	84 132 000
12 A	24-280 V ~	zero voltage	Yes	84 132 200
12 A	24-280 V ~	instantaneous	No	84 132 100
12 A	24-280 V ~	instantaneous	Yes	84 132 300
12 A	36-530 V ~	zero voltage	No	84 132 400
12 A	36-530 V ~	zero voltage	Yes	84 132 600
12 A	36-530 V ~	instantaneous	No	84 132 500
12 A	36-530 V ~	instantaneous	Yes	84 132 700
20 A	24-280 V ~	zero voltage	No	84 132 010
20 A	24-280 V ~	zero voltage	Yes	84 132 210
20 A	24-280 V ~	instantaneous	No	84 132 110
20 A	24-280 V ~	instantaneous	Yes	84 132 310
20 A	36-530 V ~	zero voltage	No	84 132 410
20 A	36-530 V ~	zero voltage	Yes	84 132 610
20 A	36-530 V ~	instantaneous	No	84 132 510
20 A	36-530 V ~	instantaneous	Yes	84 132 710

Connection

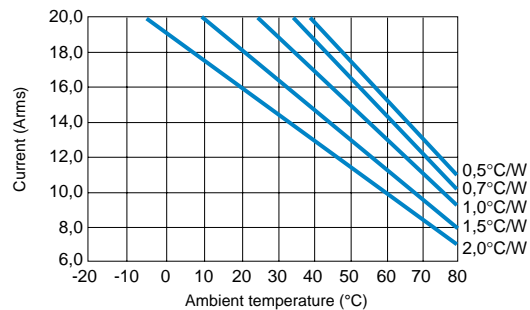


Curves for temperature-dependent derating

12 A version



20 A version



To order, specify:

Standard products

Standard products, non stocked

1 Part number

Example: Extra-slim solid state relay - GZ range - 84 132 000



1

Unit part number

	Relay	Heatsink	Adaptor	Protective cover	Unit part number
Type GA0-25 A	84 067 441	26 532 762	26 532 764	26 532 797	84 067 449
Type GA3-25 A	84 028 451	26 532 762	26 532 764	26 532 796	84 028 459
Type GA3-25 A	84 068 451	26 532 762	26 532 764	26 532 796	84 068 459
Type GA3-25 A	84 068 453	26 532 762	26 532 764	26 532 796	84 068 409
Type GA3-45 A	84 068 651	26 532 762	26 532 764	26 532 796	84 068 659

Current (A)	Temperatures (° C)						Unit part number
	20	30	40	50	60	70	
21	19	17	15	14	11	84 067 449	
24	22	19	17	15	12	84 028 459	
24	22	19	17	15	12	84 068 459	
24	22	19	17	15	12	84 068 409	
24	22	19	17	15	12	84 068 659	

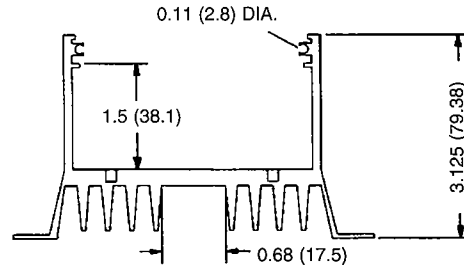
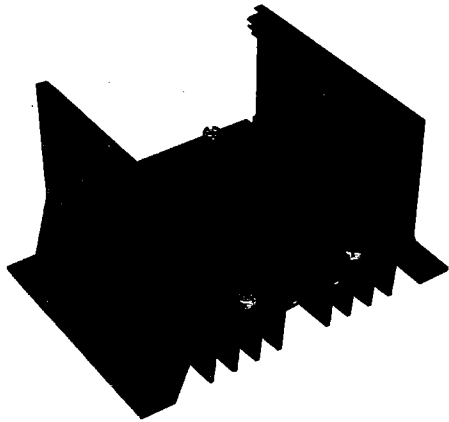
To order, specify:

Standard products	1 Part number
Standard products, non stocked	Example: Relay-heatsink assembly for DIN rail mounting 84 060 239

SOLID STATE RELAY ACCESSORIES

[查询"84112210"供应商](#)

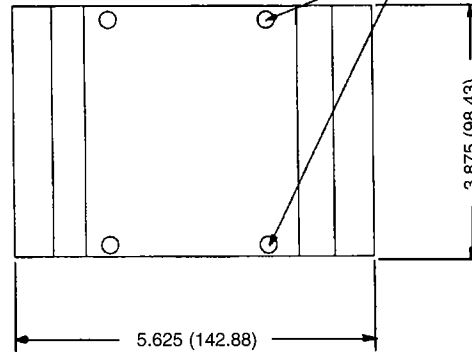
HS1 HEATSINK



DIMENSIONS: inches (mm)

TOLERANCES: ±0.02 inches (±0.50)

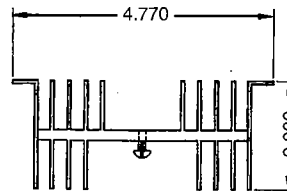
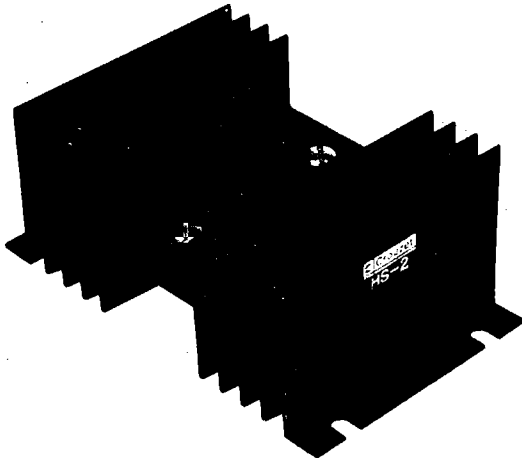
MOUNTING HOLES FOR 4MM SCREW (4)



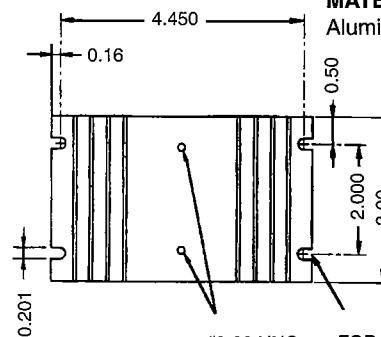
ORDERING INFORMATION:

Model #	Description
HS1	Heatsink 1.5°C/W (For GA0 & GA3 Series SSR's)

HS2 HEATSINK



DIMENSIONS: inches
TOLERANCES: ±0.02 inches
MATERIAL: AISI 6063-T5 Aluminum



#8-32 UNC FOR #8-32 SCREWS 4 PLACES

ORDERING INFORMATION:

Model #	Description
HS2	Heatsink 2.0°C/W (For G, GN & GA5 Series SSR's)

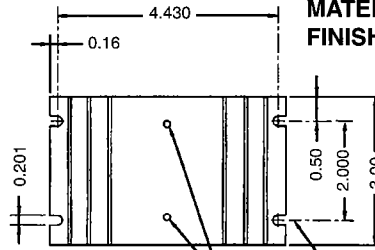
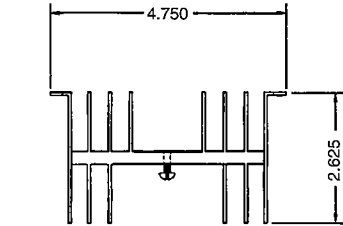
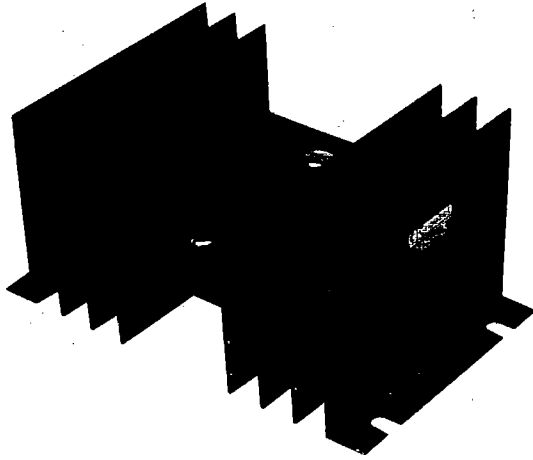
Products and specifications subject to change without notice.
Consult factory for application assistance.

SOLID STATE RELAY ACCESSORIES

[查询 84112210 供应商](#)

1

HS3 HEATSINK



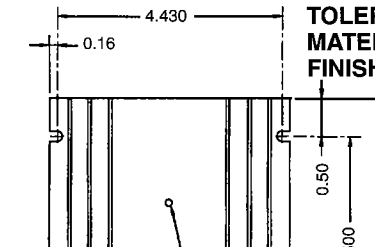
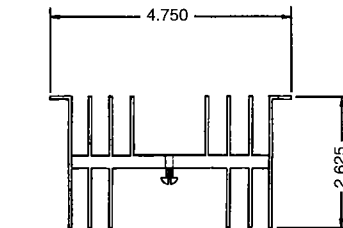
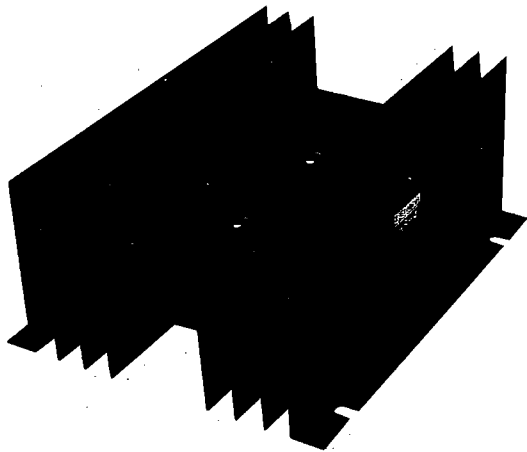
DIMENSIONS: inches
TOLERANCES: ±0.02 inches
MATERIAL: AISI 6063-T5 Aluminum
FINISH: Black Anodized

#8-32 UNC FOR #8-32 SCREWS

ORDERING INFORMATION:

Model #	Description
HS3	Heatsink 1.5°C/W (For G, GN & GA5 Series SSR's)

HS4 HEATSINK



DIMENSIONS: inches
TOLERANCES: ±0.02 inches
MATERIAL: AISI 6063-T5 Aluminum
FINISH: Black Anodized

#8-32 UNC FOR #8-32 SCREWS

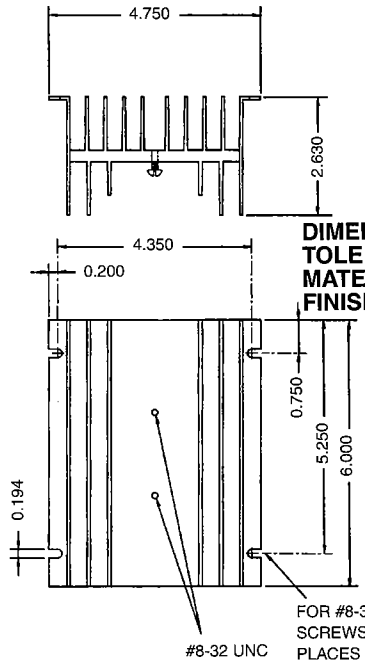
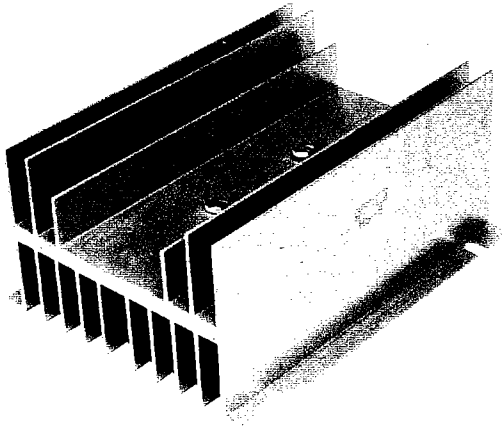
ORDERING INFORMATION:

Model #	Description
HS4	Heatsink 1.0°C/W (For G, GN & GA5 Series SSR's)

Products and specifications subject to change without notice.
 Consult factory for application assistance.

SOLID STATE RELAY ACCESSORIES

HS5 HEATSINK

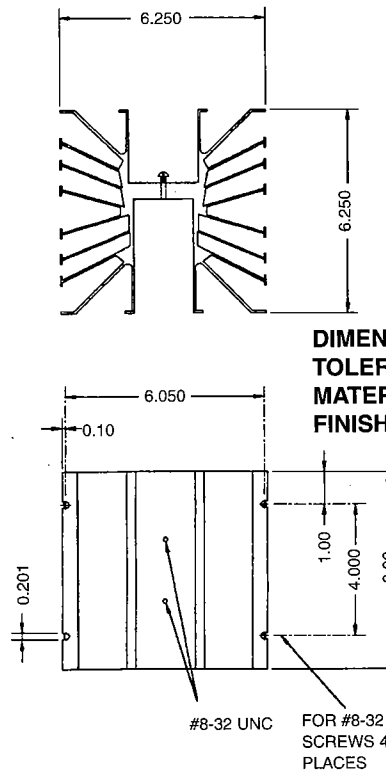
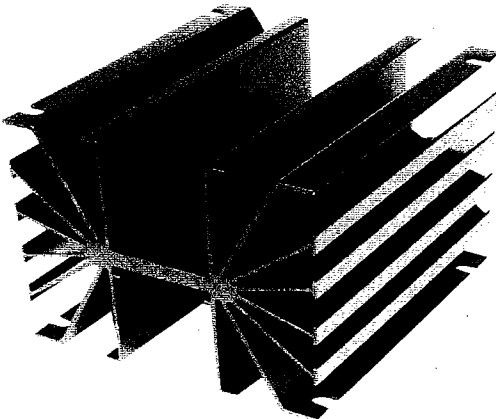


DIMENSIONS: inches
TOLERANCES: ±0.02 inches
MATERIAL: AISI 6063-T5 Aluminum
FINISH: Black Anodized

ORDERING INFORMATION:

Model #	Description
HS5	Heatsink 0.7°C/W (For G, GN & GA5 Series SSR's)

HS6 HEATSINK



DIMENSIONS: inches
TOLERANCES: ±0.02 inches
MATERIAL: AISI 6063-T5 Aluminum
FINISH: Black Anodized

ORDERING INFORMATION:

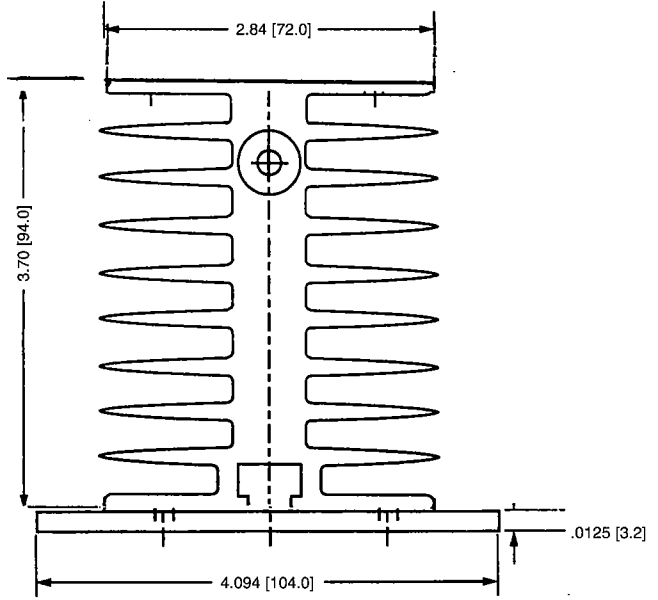
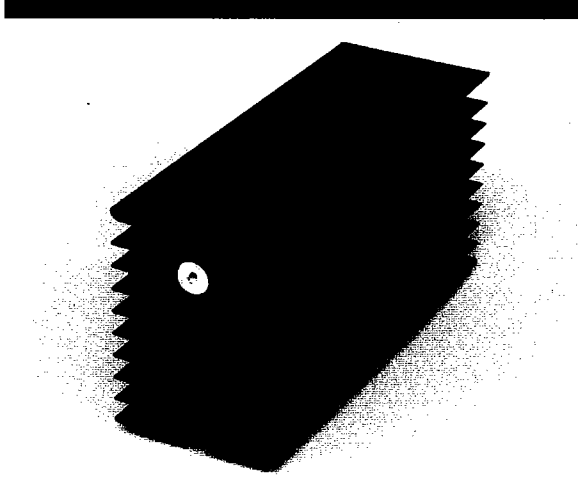
Model #	Description
HS6	Heatsink 0.5°C/W (For G, GN & GA5 Series SSR's)

Products and specifications subject to change without notice.
 Consult factory for application assistance.

SOLID STATE RELAYS

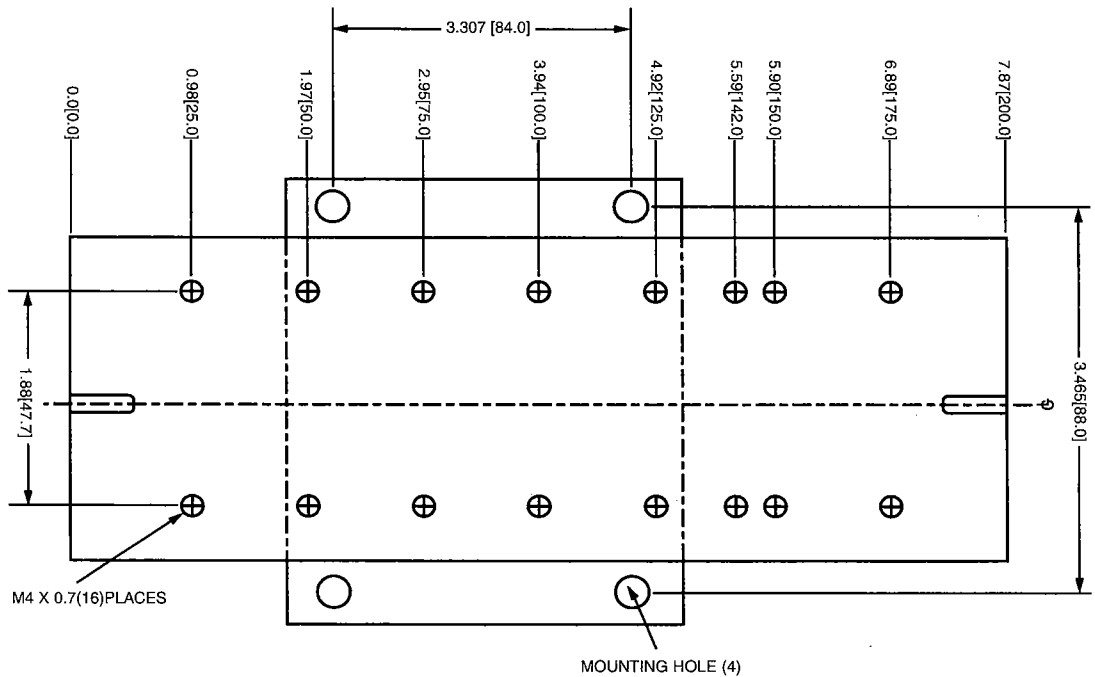
HS7 HEATSINK

1



ORDERING INFORMATION:

Model #	Description
HS7	Heatsink 0.9°C/W (For G, GN, GA5, GA0 & GA3 Series SSR's)



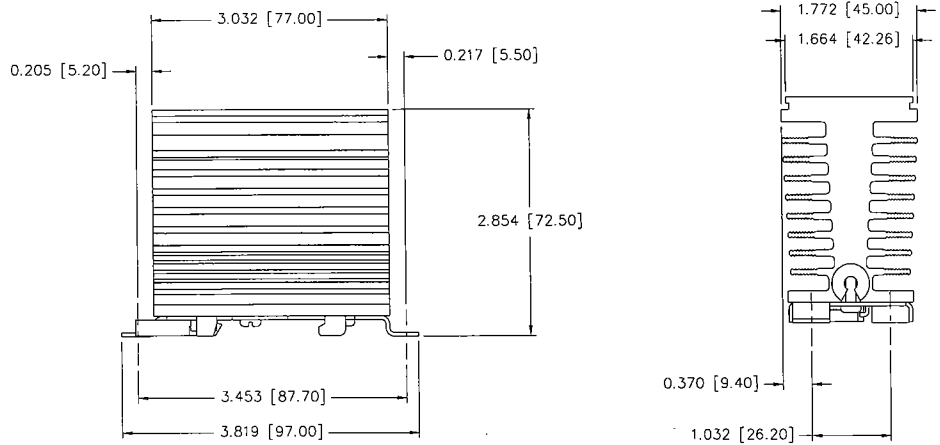
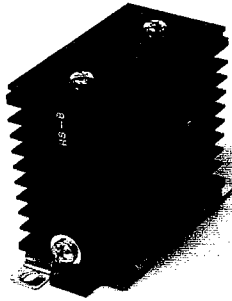
DIMENSIONS: inches (mm)
TOLERANCES: ±0.02 inches
MATERIAL: AISI 6063-T5 Aluminum
FINISH: Black Anodized

Products and specifications subject to change without notice.
 Consult factory for application assistance.

SOLID STATE RELAYS

查询"84112210"供应商

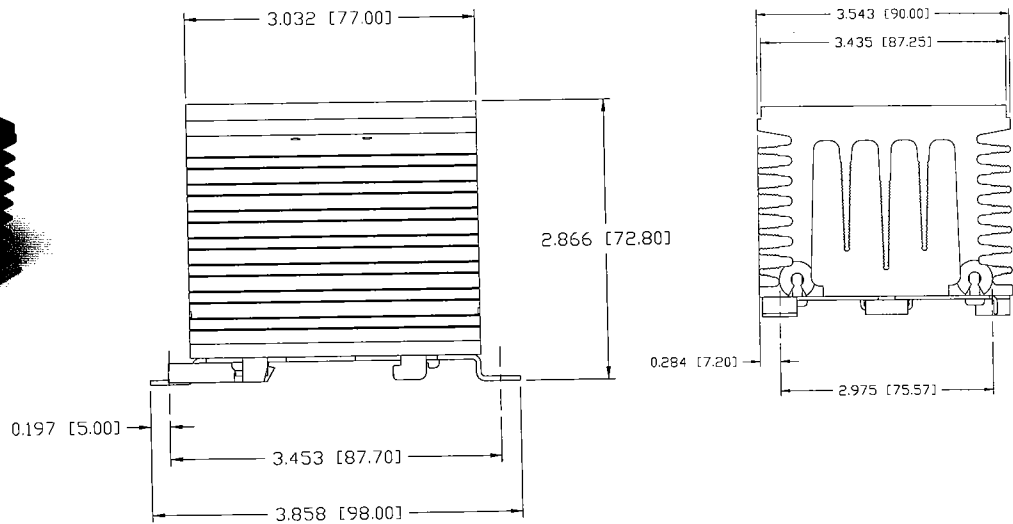
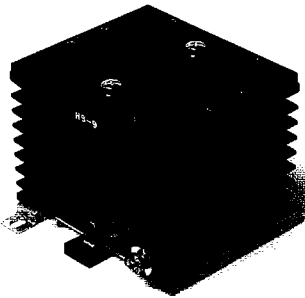
HS8 HEATSINK



ORDERING INFORMATION:

Model #	Description
HS8	Heatsink 2.1°C/W (For G, GN & GA5 Series SSR's)

HS9 HEATSINK



ORDERING INFORMATION:

Model #	Description
HS9	Heatsink 1.5°C/W (For G, GN & GA5 Series SSR's)

DIMENSIONS: inches (mm)

TOLERANCES: ±0.02 inches

MATERIAL: AISI 6063-T5 Aluminum

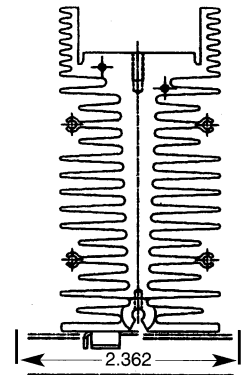
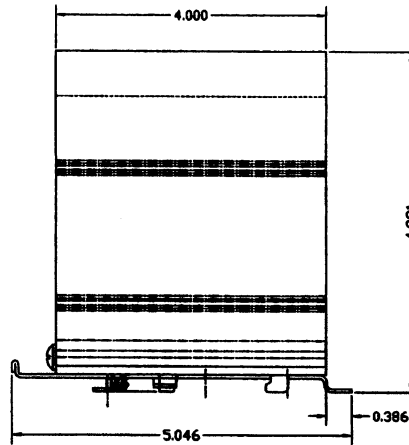
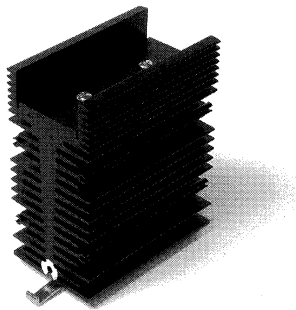
FINISH: Black Anodized

Products and specifications subject to change without notice.
Consult factory for application assistance.

SOLID STATE RELAYS

查询 84112210 供应商

HS10 HEATSINK

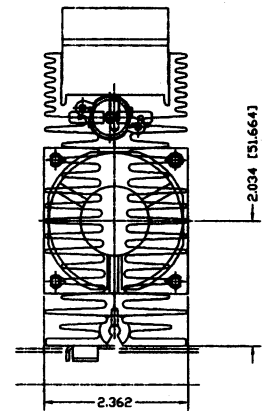
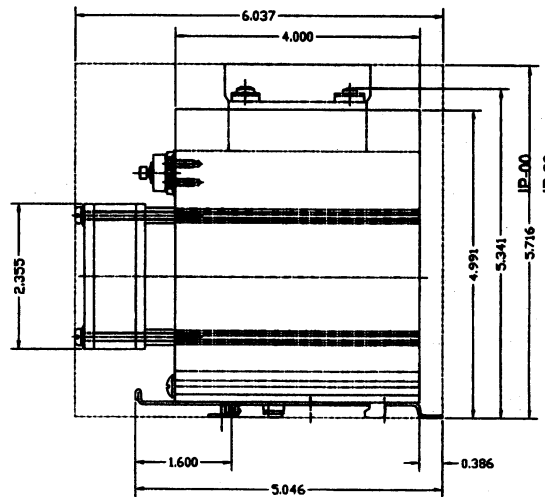
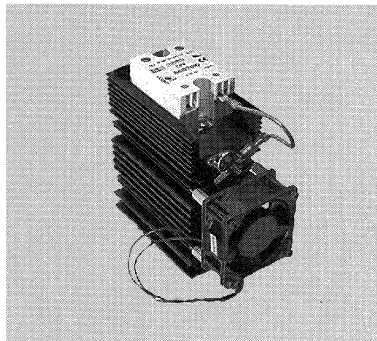


1

ORDERING INFORMATION:

Model #	Description
HS10	Heatsink 1.1°C/W (For G, GN & GA5 Series SSR's)

HS12 HEATSINK



(Relay Optional)

ORDERING INFORMATION:

Model #	Description
HS12	Heatsink 0.55°C/W (For G, GN & GA5 Series SSR's)

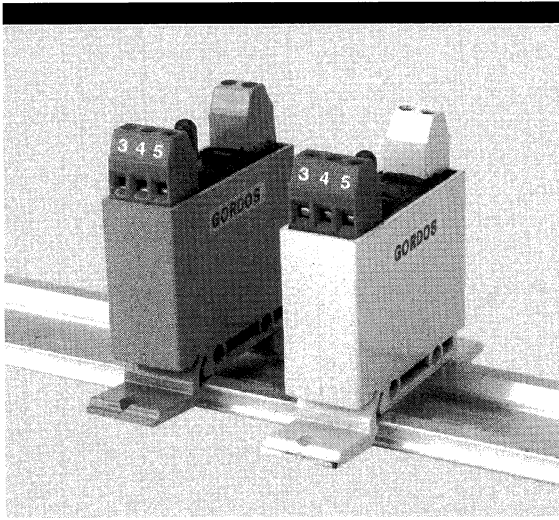
DIMENSIONS: inches (mm)
TOLERANCES: ±0.02 inches
MATERIAL: AISI 6063-T5 Aluminum
FINISH: Black Anodized

Products and specifications subject to change without notice.
 Consult factory for application assistance.

DIGITAL I/O MODULES

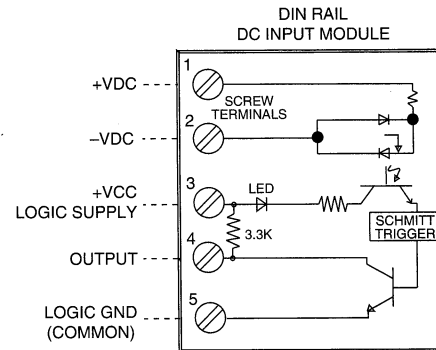
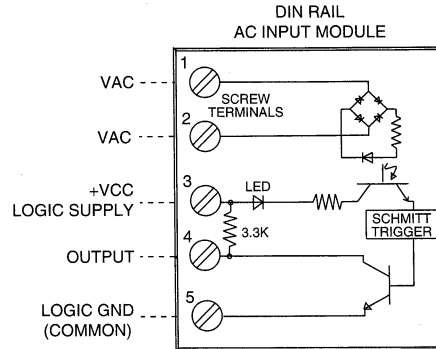
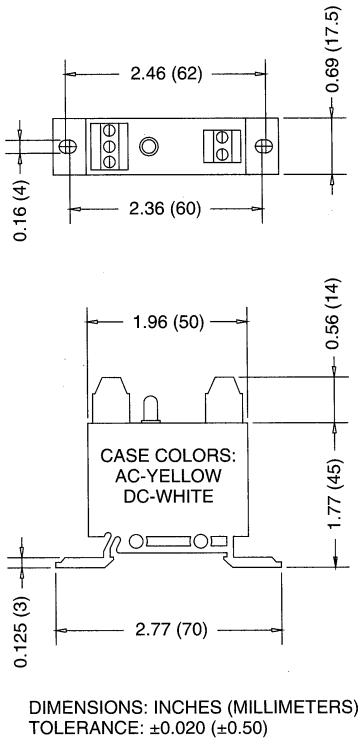
查询 84112210 供应商

DIN-RAIL MOUNTABLE INPUT MODULES



FEATURES:

- CE Compliant
- DIN-Rail Mountable Single Point Input Modules
- AC Inputs for 24 V, 120 V, 240 V
- DC Inputs for 3.3 to 32 V, 10 to 48 V
- UL Recognized (E46203)/CSA Certified (38595)
- 4 kV Optical Isolation
- Open-Collector Output, with LED Indicator
- Input and Output Barrier Strips Accept 14 to 28 AWG Wire
- Configured for Panel Mounting



(EQUIVALENT CIRCUIT DIAGRAMS)

Products and specifications subject to change without notice.
Consult factory for application assistance.

DIGITAL I/O MODULES

查询 84112210 供应商

2

DIN-RAIL MOUNTABLE INPUT MODULES

INPUT SPECIFICATIONS: (1)

Model Number	DRIAC5 DRIAC24	DRIAC5A DRIAC24A	DRIDC5 DRIDC24	DRIDC5A DRIDC24A
Parameter				
Nominal Voltage	120 VAC	240 VAC	5-28 VDC	12-48 VDC
Maximum Voltage	140 VAC/VDC	280 VAC/VDC	32 VDC/VAC	48 VDC
Minimum Voltage	90 VAC/VDC	180 VAC/VDC	4.0 VDC/VAC	10 VDC
Resistance (2)	28 kΩ	75 kΩ	1 kΩ	2 kΩ
Maximum Current (3)	5.0 mArms	5.0 mArms	34 mA	34 mA
Drop-out Current (4)	2.0 mArms	1.5 mArms	1.0 mA	1.0 mA
Allowable Current/	2.5 mArms	2.0 mArms	1.5 mA	1.5 mA
Voltage for No Output (5)	50 VAC/VDC	50 VAC/VDC	2.0 VDC	4.0 VDC

OUTPUT SPECIFICATIONS: (1)

Model Number	DRIAC5 DRIAC5A DRIDC5 DRIDC5A	DRIAC24 DRIAC24A DRIDC24 DRIDC24A	Units
Parameter			
Nominal Logic Supply Voltage	5.0	24.0	VDC
Maximum Logic Supply Voltage	6.0	30.0	VDC
Minimum Logic Supply Voltage	3.0	20.0	VDC
Maximum Logic Supply Current (6)	28.0	28.0	mA
Maximum Logic Supply Leakage Current (7)	10.0	10.0	μA
Maximum Voltage (8)	30.0	30.0	VDC
Maximum Current (9)	50.0	50.0	mA
Maximum Leakage Current (10)	10.0	10.0	μA
Maximum Voltage Drop (11)	0.2	0.2	VDC

GENERAL SPECIFICATIONS: (1)

Model Number	DRIAC5 DRIAC5A DRIAC24 DRIAC24A	DRIDC5 DRIDC5A DRIDC24 DRIDC24A	Units
Parameter			
Operating Temperature Range	-30 to 80	-30 to 80	°C
Storage Temperature Range	-40 to 100	-40 to 100	°C
Maximum Turn-on Time (12)	20	1.0	mSec
Maximum Turn-off Time (12)	30	1.0	mSec
Input/Output Isolation Voltage (13)	4000	4000	VAC
Input/Output Capacitance (typical)	8	8	pF
Line Frequency Range	47 to 63	DC	Hertz

TABLE OF MODEL NUMBER SUFFIXES IDENTIFYING OPTIONAL FEATURES

Suffix	Feature
A	High voltage versions (240 VAC for AC modules), (48 VDC for DC modules).

Notes:

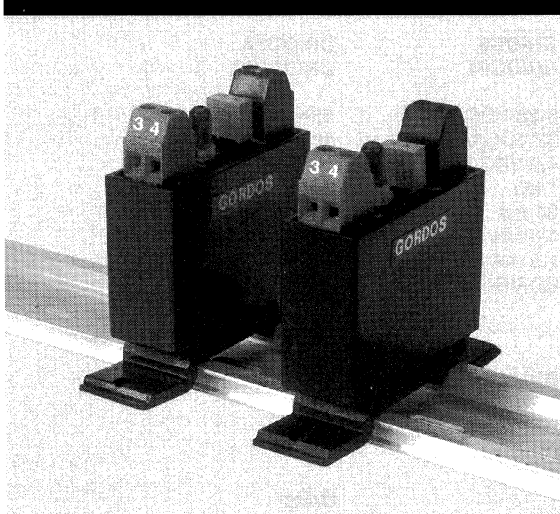
- (1) Specifications apply to an ambient temperature of -30 to 80°C unless otherwise noted.
- (2) Resistance values for IAC modules are effective impedance values at 25°C.
- (3) Measured at maximum specified input voltage, 25°C.
- (4) Defined as the maximum current allowed through the module's input to guarantee that the output will switch from "on" to "off." Higher currents may result in the output remaining in the "on" state.
- (5) Defined as the maximum current allowed through the module's input that will not switch the module's output state from "off" to "on."
- (6) At maximum specified logic supply voltage and 25°C.
- (7) At maximum specified logic voltage and 25°C.
- (8) Maximum allowable applied voltage across open collector output transistor. Factory recommends this voltage not exceed logic voltage.
- (9) Maximum allowable sinking current through open collector output transistor.
- (10) At maximum output voltage and 25°C.
- (11) At maximum allowable output current and 25°C.
- (12) At nominal logic supply voltage, 25 mA output sinking current, nominal input voltage and 25°C.
- (13) At 25°C for 1 second maximum duration.

Products and specifications subject to change without notice.
Consult factory for application assistance.

DIGITAL I/O MODULES

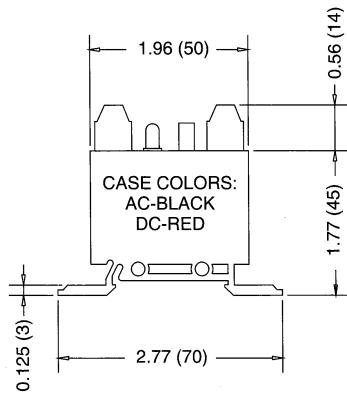
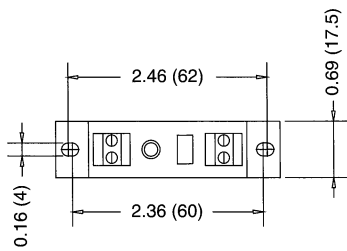
查询 84712210 伏应荷

DIN-RAIL MOUNTABLE OUTPUT MODULES

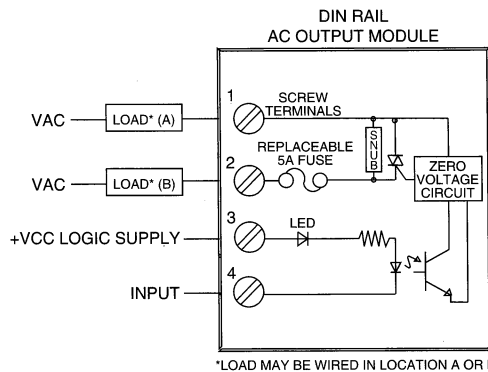


FEATURES:

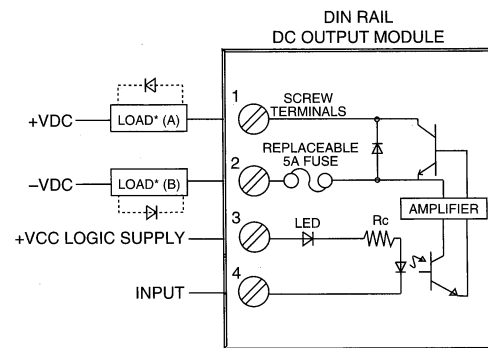
- CE Compliant
- DIN-Rail Mountable Single Point Output Modules (35mm DIN)
- UL Recognized/Horse Power Rated (E46203)/ CSA certified (38595)
- AC Output Rating 5 Amp at 12 to 280 VAC, with 250 Amp Single Cycle Surge Capability
- DC Output Rating 3 Amp at 3 to 60 VDC
- 3 to 32 VDC Input for AC Module, 5V or 24V for DC Module
- Zero Voltage Turn-on for AC Module
- 4 kV Optical Isolation with LED Indicator
- Barrier Strips Accept 14 to 28 AWG Wire
- Configured for Panel Mounting



DIMENSIONS: INCHES (MILLIMETERS)
TOLERANCE: ±0.020 (±0.50)



*LOAD MAY BE WIRED IN LOCATION A OR B



*LOAD MAY BE WIRED IN LOCATION A OR B.
DC INDUCTIVE LOADS MUST BE DIODE SUPPRESSED TO PREVENT DAMAGE TO THE I/O MODULE.

(EQUIVALENT CIRCUIT DIAGRAMS)

Products and specifications subject to change without notice.
Consult factory for application assistance.

DIGITAL I/O MODULES

查询 84112210 供应商

DIN-RAIL OUTPUT MODULES

INPUT SPECIFICATIONS: (1)

Model Number	DROAC	DRODC5	DRODC24	Units
Parameter				
Nominal Voltage	5-24	5.0	24.0	VDC
Minimum Voltage	3.7	3.5	18.0	VDC
Maximum Voltage	32	8.0	32.0	VDC
Drop-Out Voltage	1.0	1.0	1.0	VDC
Maximum Current (2)	18.0	18.0	13.0	mA
Resistance (3)	—	250	2000	Ohms

OUTPUT SPECIFICATIONS: (1)

Model Number	DROAC	DRODC5 DRODC24
Parameter		
Nominal Line Voltage	120/240 VAC	5-48 V
Minimum Line Voltage	12 VAC	3.0 V
Maximum Line Voltage	280 VAC	60 V
Max Off-State Voltage (4)	600 Vpeak	60 V
Max Off-State Leakage (5)	.1 mArms	10 µA
Static Off-State dv/dt (6)	200 V / µsec	N/A
Maximum Rated On-State Current (7)	5.0 Arms	3.0 A
Min On-State Current	50 mArms	10 mA
Max Surge Current (8)	250 Apeak	5.0 A
On-State Voltage Drop (9)	1.6 V	1.5 V
Horse Power Rating (13)	1/2 H.P.	N/A

GENERAL SPECIFICATIONS: (1)

Model Number	DROAC	DRODC5 DRODC24	Units
Parameter			
Operating Temperature Range	-30 to 80	-30 to 80	°C
Storage Temperature Range	-40 to 100	-40 to 100	°C
Maximum Turn-on Time (10)	8.33	0.1	mSec
Maximum Turn-off Time (10)	8.33	0.75	mSec
Input/Output Isolation Voltage (11)	4000	4000	VAC
Input/Output Capacitance (typical)	8	8	pF
Line Frequency Range	47 to 63	DC	Hertz
Fuse (12)	5	5	Amps

Notes:

- (1) Specifications apply to an ambient temperature of -30 to 80°C unless otherwise noted.
- (2) At nominal input voltage for DC modules, AC modules are current limited +/-10% at 25°C.
- (3) +/-10% at 25°C for DC modules.
- (4) Maximum 1 minute duration for OAC modules when applied as a DC voltage rather than peak AC voltage.
- (5) At maximum line voltage, 25°C for OAC modules, and 80°C for ODC modules.
- (6) Minimum dv/dt per EIA/NARM RS443, method RS397. dv/dt ratings do not apply to ODC modules.
- (7) At 40°C, derate OAC modules by 125 mA/°C to 80°C; derate ODC modules by 50 mA/°C to 80°C.
- (8) At 25°C. Maximum duration: 1 AC cycle for OAC modules, 1 second for ODC modules.
- (9) At maximum rated on-state current and 25°C.
- (10) At maximum line voltage, maximum rated output current, nominal input voltage, 25°C. Switching speed of OAC modules based upon 60 Hz line frequency.
- (11) At 25°C for 1 second maximum duration.
- (12) Fuse is Buss, PC-TRON #PCE5.
- (13) 1/2 H.P. at 240 VAC, 1/4 H.P. at 120 VAC.

Products and specifications subject to change without notice.
Consult factory for application assistance.