

GERMANIUM NPN TRANSISTORS

Type	查询"2N1605A"供应商		V_{CE} V Max	I_{CBO} @ V_{CB} V μA Max	h_{FE} Typical	I_C mA	Cob pf Max	fab MHZ Min	Pack Outline	Power Dissipation @25°C MW	
	V_{EBO} V Max	V_{EB0} V Max									
NPN											
2N356A	30	20	20	30	5	20	100	14'	6.0	TO-5	150
2N357	20	20	15	20	5	45	1.0			TO-5	100
2N357A	30	20	20	30	5	25	200			TO-5	150
2N358	20	20	12	20	5	60	1.0	14'	9.0	TO-5	100
2N358A	30	20	15	30	5	25	300			TO-5	150
2N358A	30	20	15	30	25	25	300			TO-5	150
2N366	30	20	2	30	10	65	1.0	4.5	3.5	OV9	150
2N377	25	15	20	25	10	40	30	20	6.0	TO-5	150
2N377A	40	15	20	40	20	20	30	20	6.0	TO-5	150
2N385	25	15	25	25	10	60	30	20	6.0	TO-5	150
2N385A	40	15	15	40	40	70	30	20	8.0	TO-5	150
2N388	20	15	20	20	10	150	30	20	15	TO-5	150
2N388	25	15	20	25	10	60	30	20	5.0	TO-5	150
2N388A	40	15	20	40	10	60	30	20	8.0	TO-5	150
2N438	30	25	25	30	10	25	1.0	9'	2.5	TO-5	100
2N438A	30	25	25	30	10	25	1.0	9'	2.5	TO-5	150
2N439	30	25	20	30	10	35	1.0	9'	5.0	TO-5	100
2N439A	30	25	20	30	10	35	1.0	9'	5.0	TO-5	150
2N440	30	25	15	30	10	65	1.0	9'	10.0	TO-5	100
2N440A	30	25	15	30	10	65	1.0	9'	10.0	TO-5	150
2N444	15		15	15	2	15	1.0	13'	0.5	TO-5	100
2N444A	40	10	25	40	5	15	1.0		0.5	TO-5	150
2N445	15		12	15	2	35	1.0	13'	2.0	TO-5	100
2N446	30	10	18	30	4	35	1.0		2.0	TO-5	150
2N446A	30	10	15	30	4	60	1.0		5.0	TO-5	150
2N447A	30	10	12	30	4	85	1.0		9.0	TO-5	150
2N587	40	40	20	40	50	20	200	30		TO-5	150
2N634	20	15	15	20	5	15	200		8.0	TO-5	150
2N534A	25	25	20	25	6	55	10	12'	8.0	TO-5	150
2N635	20	15	15	20	5	25	200		12.0	TO-5	150
2N635A	25	25	20	25	6	100	10	12'	12.0	TO-5	150
2N636	20	15	15	20	5	35	200		17.0	TO-5	150
2N636A	25	25	15	25	6	190	10	12'	17.0	TO-5	150
2N1302	25	25	25	25	6	20	10	20	3.0	TO-5	150
2N1302	25	25	25	25	6	20	10	20	3.0	TO-5	150
2N1304	25	25	20	25	6	40-200	10	20	5.0	TO-5	150
2N1304	25	25	20	25	6	40-200	10	20	5.0	TO-5	150
2N1306	25	25	15	25	6	60-300	10	20	10.0	TO-5	150
2N1306	25	25	15	25	6	60-300	10	20	10.0	TO-5	150
2N1308	25	25	15	25	6	80	10	20	15.0	TO-5	150
2N1308	25	25	15	25	6	80-400	10	20	15.0	TO-5	150
2N1605	25	12	2Y	25	5	125	20	20	4.0	TO-5	150
2N1605A	40	12		40	10	60	20	20	6.0	TO-5	200
2N1730	25	20	15	25	6	30	100	20	20	TO-5	150
2N1732	30	25	30	30	6	40	10	20	5.0	TO-5	150
2N1808	25	20	25	25	5	125	20	13'	14.0	TO-5	150
2N1892	30	25	15	30	6	30	2	20	5.0	TO-5	150
2N1993	30	30	15	30	10	50	10	20	3.0	TO-5	150
2N2430	32	10	32	32	10	105	50	90	1.5	TO-1	280

Type	V_{CBO} V Max	V_{EBO} V Max	V_{CE} V Max	I_{CBO} @ V_{CB} V μA Max	h_{FE} Min Max	I_C mA	Cob pf Max	fab MHZ Min	Pack Outline	Power Dissipation @25°C MW
------	-----------------------	-----------------------	----------------------	--	---------------------	-------------	------------------	-------------------	-----------------	-------------------------------------

GERMANIUM PNP MESA TRANSISTORS

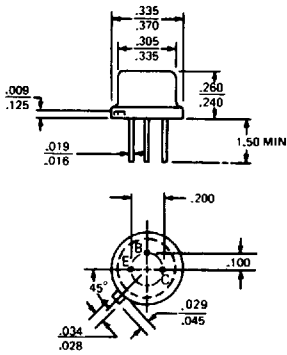
2N705	15	3.5		5	3.0	25-	10		300	TO-18 ^{1,2}	300
2N705A	15	3.5		5	3.0	25-	10			TO-18 ¹	150
2N710	15	1.0		1	3.0	25-	10		300	TO-18 ¹	300
2N711	12	1.0	12	5	3.0	20-	10	7.5	150	TO-18 ¹	150
2N711A	15	1.5	7	5	1.5	25-	10	6.0	150	TO-18 ¹	150
2N711B	18	2.0	7	10	1.5	30-	10	6.0	150	TO-18 ¹	150
2N827	20	4.0		15	5.0	100-	10	9.0		TO-18 ¹	150
2N828	18	2.5		6	3.0	25-	10		300	TO-18 ¹	300

GERMANIUM POWER TRANSISTORS

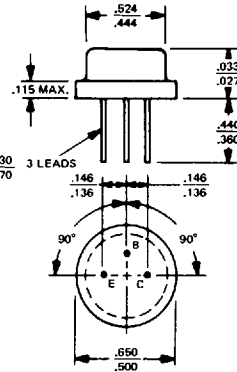
查询"2N1605A"供应商

CASE OUTLINE DRAWINGS & DIMENSIONS

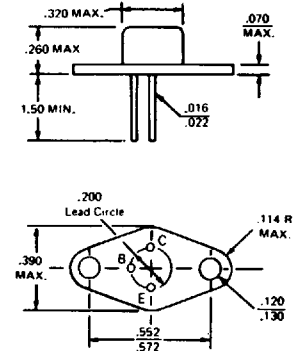
TO-5



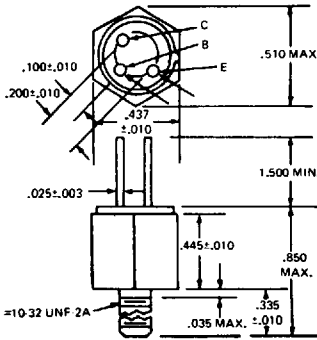
TO-8



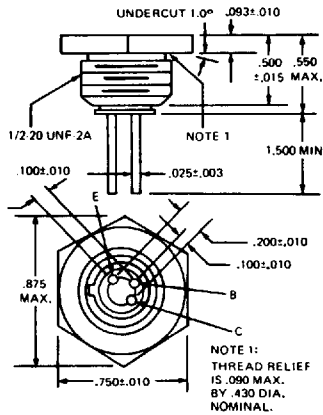
TO-37



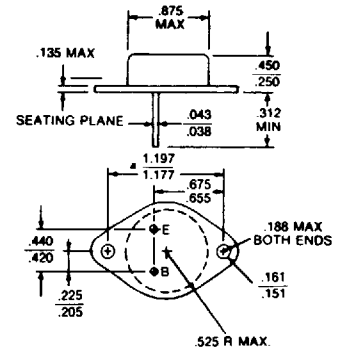
MT-27



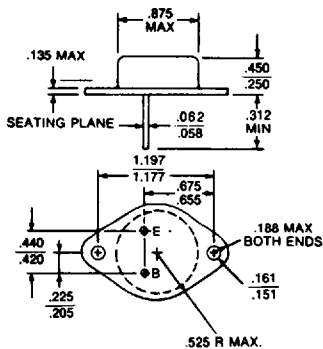
MT-28



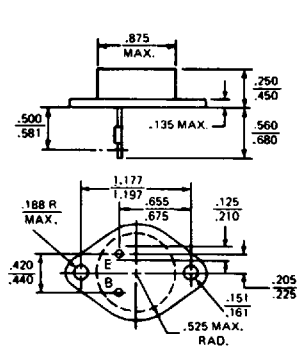
TO-3



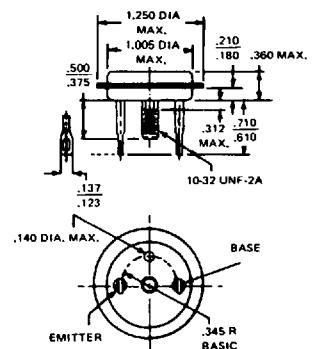
MODIFIED TO-3
(60 mil pins)



TO-41



TO-36

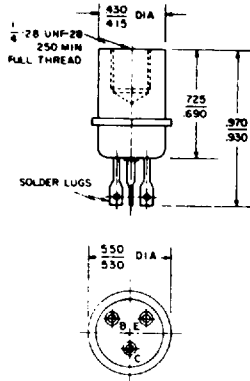


GERMANIUM POWER TRANSISTORS

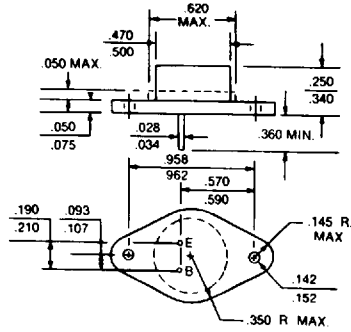
查询"2N1605A"供应商

CASE OUTLINE DRAWINGS & DIMENSIONS

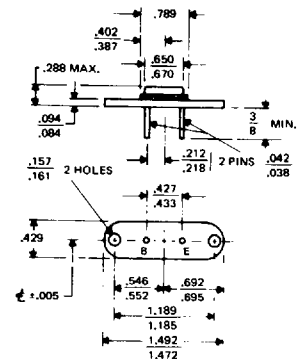
TO-13



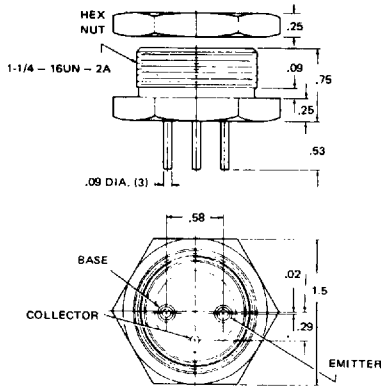
TO-66



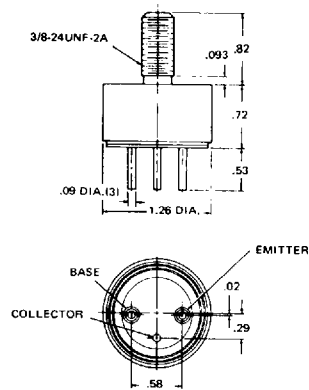
MS-7



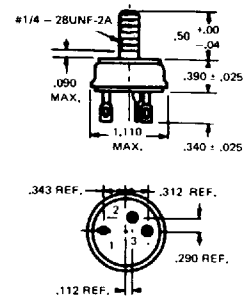
MT-22



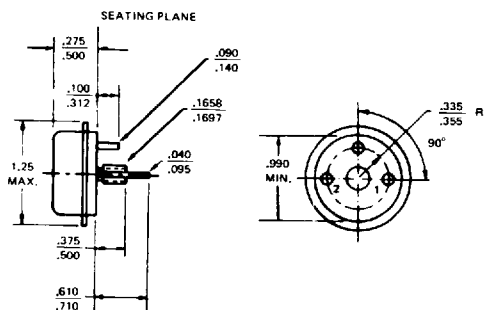
MT-23



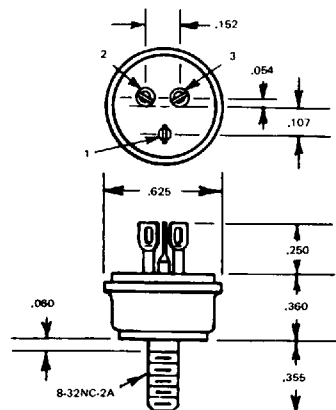
MT-7



TO-68



MT-36

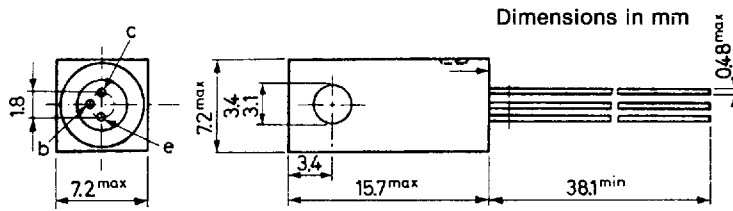


GERMANIUM POWER TRANSISTORS

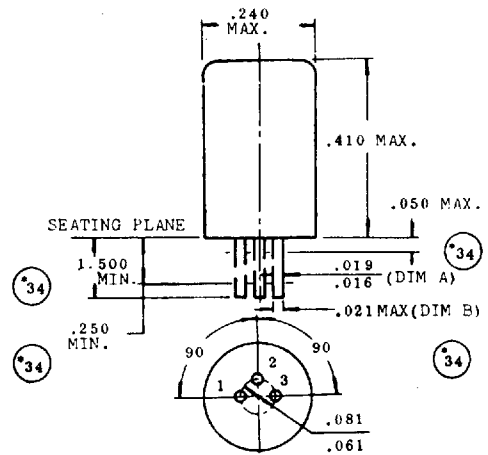
查询"2N1605A"供应商

CASE OUTLINE DRAWINGS & DIMENSIONS

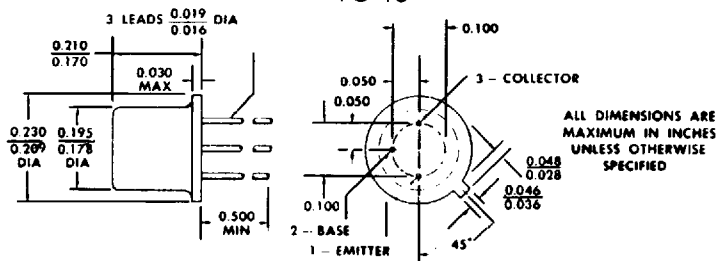
NS257



TO-1



TO-18



THE COLLECTOR IS ELECTRICAL CONTACT WITH THE CASE.

ALL JEDEC TO-18 DIMENSIONS AND NOTES ARE APPLICABLE.



GERMANIUM POWER DEVICES CORP.

300 Brickstone Square · York Street · P.O. Box 3065
Shawsheen Village Station · Andover, Massachusetts 01810
Telephone (508) 475-5982 · FAX (508) 470-1512

26

Printed in U.S.A.

■ 3947375 0000689 52T ■

54134