



查询"MP3752"供应商

VOLTAGE REGULATOR

MB3752

February 1988
Edition 1.0

VOLTAGE REGULATOR

The Fujitsu MB3752 is a monolithic voltage regulator IC. It contains a temperature compensated reference voltage circuit, a surge protected error amplifier and high current protected circuit.

High current regulator, negative power supply regulator, floating regulator and switching regulator are made up by selection of external components.

Constant current limiting or foldback current limiting is selected by selection of external components.

It is suitable both industrial and consumer voltage regulator system.

The high performance makes a lot of application and enables operation with various functions.

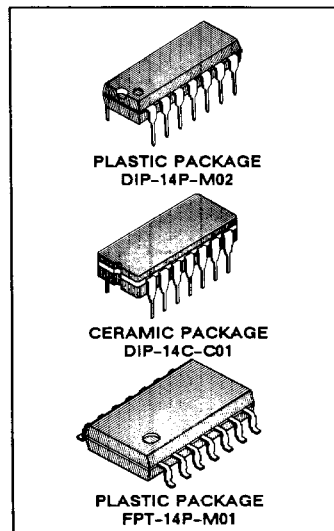
- High Load Regulation: 0.03 % ($1 \text{ mA} \leq I_L \leq 50 \text{ mA}$)
- Wide Input Voltage Range: 40 V max.
- Wide Output Voltage Range: 2 V to 37 V
- Compatible with Fairchild $\mu\text{A}723$
- Packages
 - 14-pin plastic DIP package (Suffix: -P)
 - 14-pin ceramic DIP package (Suffix: -Z)
 - 14-pin plastic Flat package (Suffix: -PF)

ABSOLUTE MAXIMUM RATINGS (see NOTE) ($T_A = 25^\circ\text{C}$)

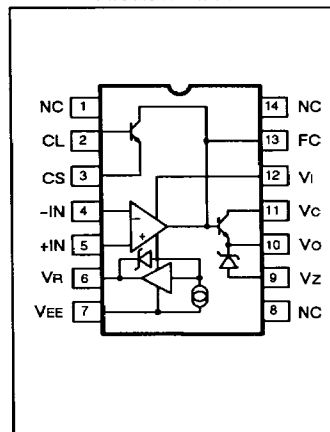
| Rating | Symbol | Value | | | Unit |
|------------------------|----------|------------|------------|------------|------------------|
| | | Ceramic | Plastic | Flat | |
| Storage Temperature | TSTG | -65 - +150 | -55 - +125 | -55 - +125 | $^\circ\text{C}$ |
| Operating Temperature | T_A | -55 - +125 | -20 - +75 | -20 - +75 | $^\circ\text{C}$ |
| Power Dissipation | P_D | 1000 | 800 | 620 * | mW |
| Output Current | I_L | 150 | 150 | 150 | mA |
| Zener Current | I_Z | 25 | 25 | 25 | mA |
| Current from V_{REF} | I_R | 15 | 15 | 15 | mA |
| Input Voltage | V_{IN} | 40 | 40 | 40 | V |

NOTE: FLAT package is mounted on the epoxy board. (4cm x 4cm x 1.5mm)

Permanent device damage may occur if the above Absolute Maximum Ratings are exceeded. Functional operation should be restricted to the conditions as detailed in the operational sections of this data sheet. Exposure to absolute maximum rating conditions for extended periods may affect device reliability.



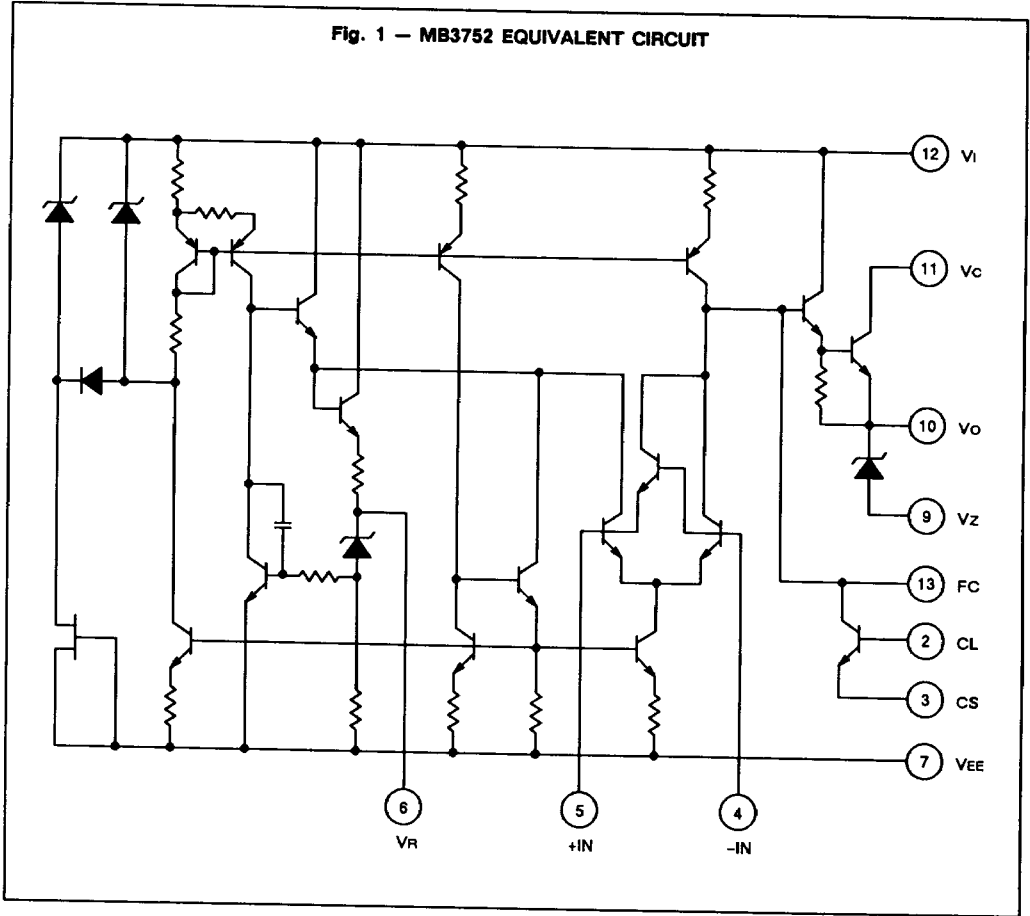
PIN ASSIGNMENT



This device contains circuitry to protect the inputs against damage due to high static voltages or electric fields. However, it is advised that normal precautions be taken to avoid application of any voltage higher than maximum rated voltages to this high impedance circuit.

4

Fig. 1 - MB3752 EQUIVALENT CIRCUIT



RECOMMENDED OPERATING CONDITIONS

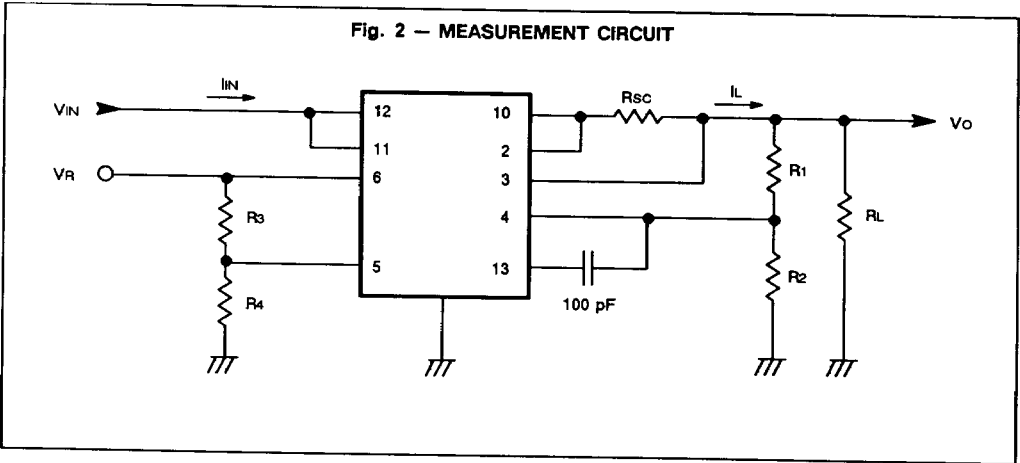
| Parameter | Symbol | Value | Unit |
|-----------------------|----------|-----------|------|
| Input Voltage | V_{IN} | 9.5 to 40 | V |
| Load Current | I_L | 1 to 50 | mA |
| Operating Temperature | T_A | -20 to 75 | °C |

ELECTRICAL CHARACTERISTICS

($V_{IN} = 12\text{ V}$, $I_L = 1\text{ mA}$, $R_{SC} = 0$, $V_O = 5\text{ V}$, $T_A = 25^\circ\text{C}$)

| Parameter | Symbol | Condition | Value | | | Unit |
|--------------------------------------|--------------|---|-------|------|------|------|
| | | | Min | Typ | Max | |
| Input Voltage | V_{IN} | | 9.5 | | 40 | V |
| Output Voltage | V_O | | 2.0 | | 37 | V |
| Input-to-output Voltage Differential | V_{IN-V_O} | | 3.0 | | 38 | V |
| Bias Current | I_I | $I_L = 0$, $V_{IN} = 30\text{ V}$ | | | 4.0 | mA |
| Reference Voltage | V_R | | 6.80 | 7.15 | 7.50 | V |
| Input Regulation 1 | R_{IN1} | $12\text{ V} \leq V_{IN} \leq 15\text{ V}$ | | 0.01 | 0.1 | % |
| Input Regulation 2 | R_{IN2} | $12\text{ V} \leq V_{IN} \leq 40\text{ V}$ | | 0.1 | 0.5 | % |
| Input Regulation 3 | R_{IN3} | $12\text{ V} \leq V_{IN} \leq 15\text{ V}$, $0^\circ\text{C} \leq T_A \leq 70^\circ\text{C}$ | | | 0.3 | % |
| Load Regulation 1 | R_{LD1} | $1\text{ mA} \leq I_L \leq 50\text{ mA}$ | | 0.03 | 0.2 | % |
| Load Regulation 2 | R_{LD2} | $1\text{ mA} \leq I_L \leq 50\text{ mA}$, $0^\circ\text{C} \leq T_A \leq 70^\circ\text{C}$ | | | 0.6 | % |
| Temperature Regulation | R_T | $0^\circ\text{C} \leq T_A \leq 70^\circ\text{C}$ | | 0.2 | 1.0 | % |
| Ripple Rejection Ratio | R.R. | $f = 50\text{ Hz to }10\text{ kHz}$, $C_R = 0$ | | 74 | | dB |
| | | $f = 50\text{ Hz to }10\text{ kHz}$, $C_R = 5\text{ }\mu\text{F}$ | | 86 | | dB |
| Short Circuit Output Current | I_{SC} | $V_O = 0$, $R_{SC} = 10\text{ }\Omega$ | 60 | 70 | 80 | mA |

Fig. 2 — MEASUREMENT CIRCUIT



4

I) $2\text{ V} \leq V_o \leq V_R$ $V_o = V_R \frac{R_4}{R_3 + R_4}$, $R_1 = \frac{R_3 \cdot R_4}{R_3 + R_4}$, $R_2 = \infty$, $R_3 + R_4 \approx 7\text{ k}\Omega$

II) $V_R \leq V_o \leq 37\text{ V}$ $V_o = V_R \left(1 + \frac{R_1}{R_2} \right)$, $R_3 = \frac{R_1 \cdot R_2}{R_1 + R_2}$, $R_4 = \infty$, $R_2 \approx 7\text{ k}\Omega$

III) Equations for measurement items

a) $I_B = I_{IN} \left(\begin{matrix} R_1 = 1.5\text{ k}, R_3 = 0, I_L = 0, \\ R_2 = \infty, R_4 = \infty, R_L = \infty \end{matrix} \right)$

b) $R_{IN1} = \frac{V_o (15\text{ V}) - V_o (12\text{ V})}{V_o (12\text{ V})} \times 100$

c) $R_{IN2} = \frac{V_o (40\text{ V}) - V_o (12\text{ V})}{V_o (12\text{ V})} \times 100$

d) $R_{LD} = \frac{V_o (1\text{ mA}) - V_o (50\text{ mA})}{V_o (1\text{ mA})} \times 100$

e) $I_{SC} = I_L$ ($R_L = 0$)

f) $R_T = \frac{V_o (\text{MAX}) - V_o (\text{MIN})}{V_o (25\text{ }^\circ\text{C})} \times 100$

Note: (b) to (f)
 ($V_o = 5\text{ V}$ setting, $R_1 = 1.5\text{ k}\Omega$, $R_2 = \infty$, $R_3 = 2.15\text{ k}\Omega$, $R_4 = 5\text{ k}\Omega$, $R_L = 5\text{ k}\Omega$)

TYPICAL CHARACTERISTICS CURVES

Fig. 3 - INPUT-TO-OUTPUT VOLTAGE DIFFERENTIAL vs. MAXIMUM LOAD CURRENT

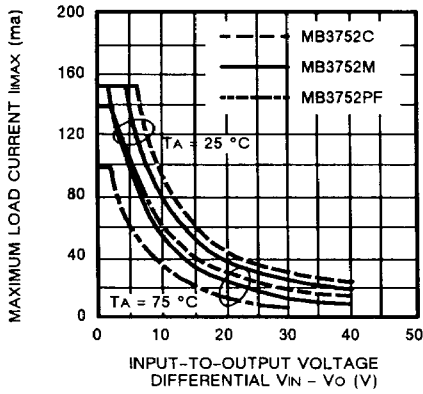


Fig. 4 - INPUT VOLTAGE vs. BIAS CURRENT

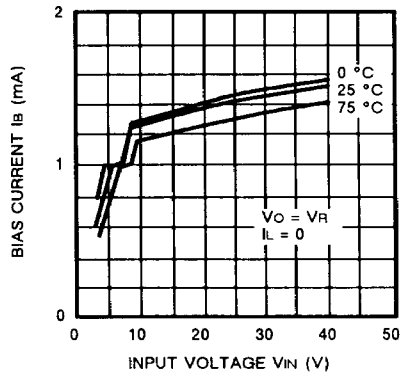


Fig. 5 - LOAD CURRENT vs. LOAD REGULATION

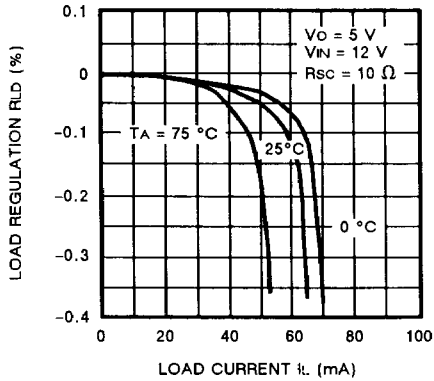
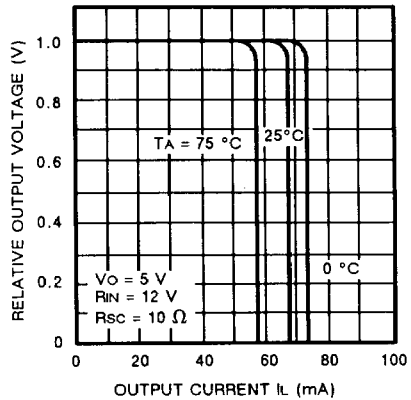


Fig. 6 - CURRENT LIMIT



TYPICAL CHARACTERISTICS CURVES (Continued)

Fig. 7 - LOAD CURRENT vs. LOAD REGULATION

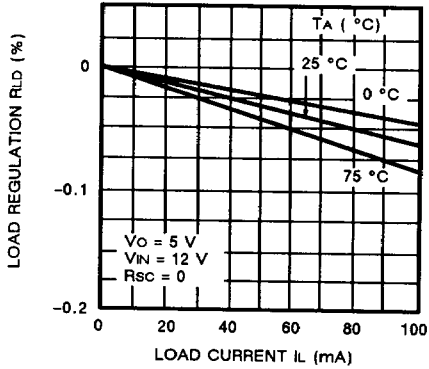


Fig. 8 - JUNCTION TEMPERATURE vs. CURRENT LIMIT SENSE VOLTAGE

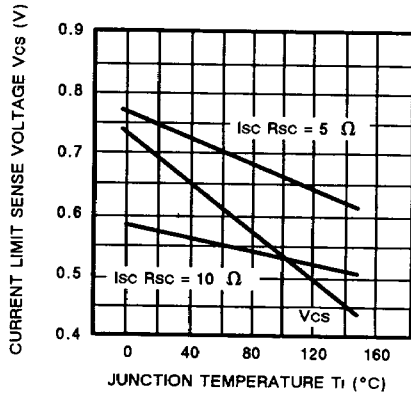


Fig. 9 - INPUT-TO-OUTPUT VOLTAGE DIFFERENTIAL vs. LINE REGULATION

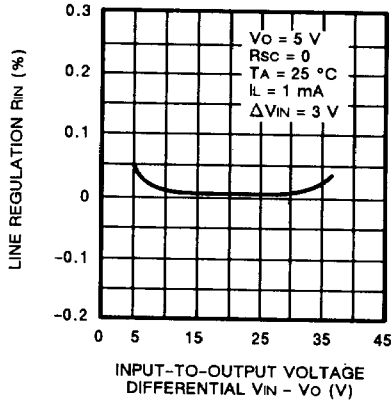
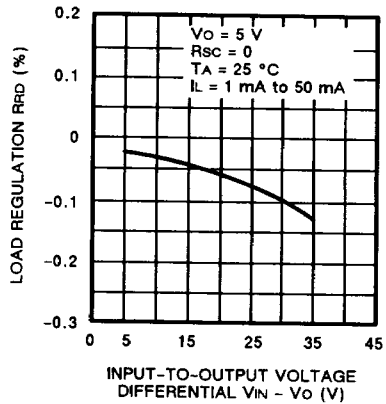


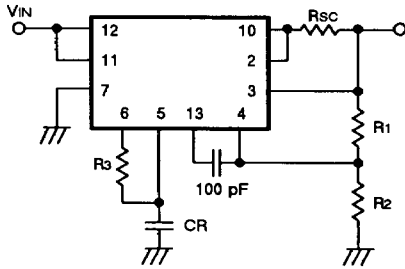
Fig. 10 - INPUT-TO-OUTPUT VOLTAGE DIFFERENTIAL vs. LOAD REGULATION



APPLICATION EXAMPLES

Fig. 11 - BASIC HIGH VOLTAGE REGULATOR

$$V_R \leq V_O \leq 37 \text{ V}$$

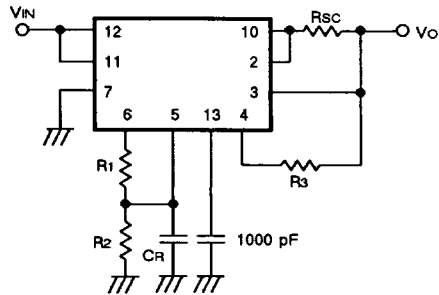


$$V_O = V_R \cdot \frac{R_1 + R_2}{R_2}$$

$$R_3 = \frac{R_1 \cdot R_2}{R_1 + R_2} \text{ for minimum temperature drift}$$

Fig. 12 - BASIC LOW VOLTAGE REGULATOR

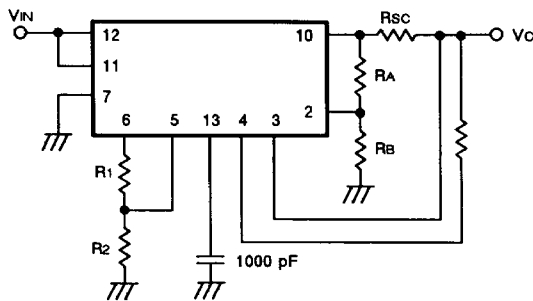
$$2 \text{ V} \leq V_O \leq V_R$$



$$V_O = V_R \cdot \frac{R_2}{R_1 + R_2}$$

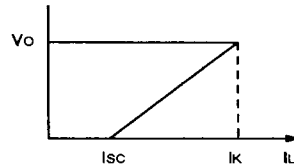
$$R_3 = \frac{R_1 \cdot R_2}{R_1 + R_2} \text{ for minimum temperature drift}$$

Fig. 13 - FOLDBACK CURRENT LIMITING REGULATOR



$$I_L \leq I_K \quad V_O = V_R \cdot \frac{R_2}{R_1 + R_2}$$

$$R_3 = \frac{R_1 \cdot R_2}{R_1 + R_2} \text{ for minimum temperature drift}$$



$$V_O = \frac{R_B \cdot R_{SC}}{R_A} \cdot I_L - V_{SC} \left(1 + \frac{R_B}{R_A} \right)$$

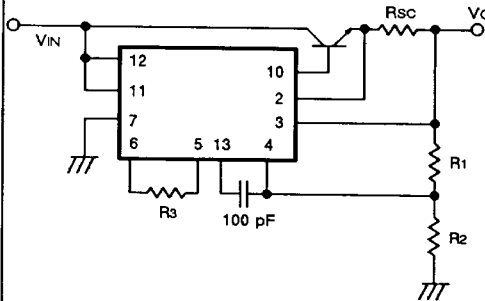
$$I_{SC} = \frac{V_{SC}}{R_{SC}} \cdot \left(1 + \frac{R_A}{R_B} \right), \quad V_{SC} \approx 0.7 \text{ V}$$

$$I_K = I_{SC} + \frac{V_O}{R_{SC}} \cdot \frac{R_A}{R_B}$$



APPLICATION EXAMPLES (Continued)

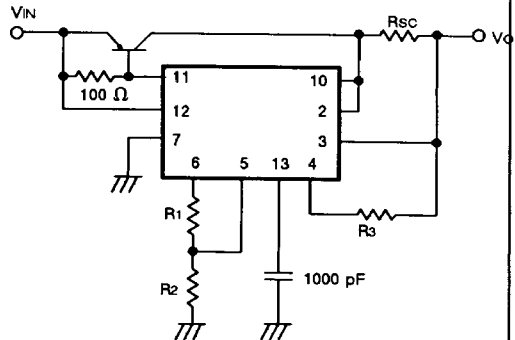
Fig. 14 - POSITIVE VOLTAGE REGULATOR NPN TRANSISTOR



$$V_O = V_R \cdot \frac{R_1 + R_2}{R_2}$$

$$R_3 = \frac{R_1 \cdot R_2}{R_1 + R_2} \text{ for minimum temperature drift}$$

Fig. 15 - POSITIVE VOLTAGE REGULATOR PNP TRANSISTOR

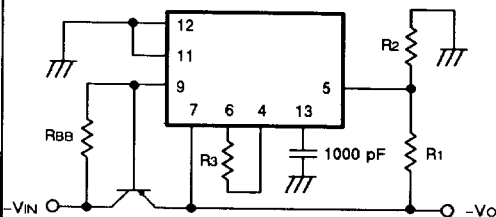


$$V_O = V_R \cdot \frac{R_2}{R_1 + R_2}$$

$$R_3 = \frac{R_1 \cdot R_2}{R_1 + R_2} \text{ for minimum temperature drift}$$

Fig. 16 - NEGATIVE VOLTAGE REGULATOR

$$|V_O| \geq 9.5 \text{ V}$$

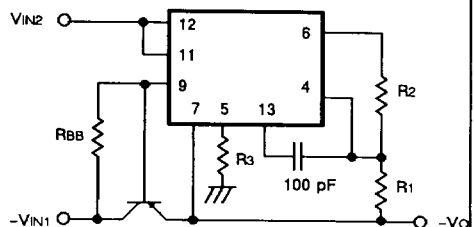


$$V_O = V_R \cdot \left(1 + \frac{R_2}{R_1}\right)$$

$$R_3 = \frac{R_1 \cdot R_2}{R_1 + R_2} \text{ for minimum temperature drift}$$

Fig. 17 - NEGATIVE VOLTAGE REGULATOR

$$0 \leq |V_O| \leq V_R$$

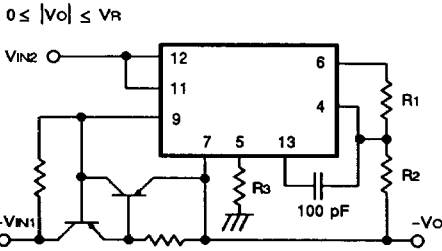


$$V_O = \frac{V_R}{1 + R_2/R_1}, \quad V_{IN2} + V_O \geq 9.5 \text{ V}$$

$$R_3 = \frac{R_1 \cdot R_2}{R_1 + R_2} \text{ for minimum temperature drift}$$

APPLICATION EXAMPLES (Continued)

Fig. 18 - NEGATIVE VOLTAGE REGULATOR (CURRENT LIMITING)



$$0 \leq |V_o| \leq V_R$$

$$I_L = \frac{V_{CS}}{R_{SC}} \quad (V_{CS} \approx 0.7 \text{ V}, V_o = 0)$$

$$I_L = \frac{V_R}{(1 + R_2/R_1)}, \quad V_{IN2} + V_o \geq 9.5 \text{ V}$$

$$R_3 = \frac{R_1 \cdot R_2}{R_1 + R_2} \quad \text{for minimum temperature drift}$$

Fig. 19 - SWITCHING REGULATOR

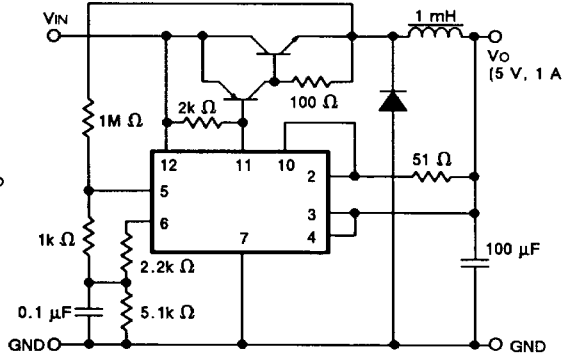


Fig. 20 DUAL TRACKING REGULATOR (CURRENT LIMITING)

$$V_{O1} = V_R \left(1 + \frac{R_1}{R_2} \right) \quad V_{O1} \geq V_R$$

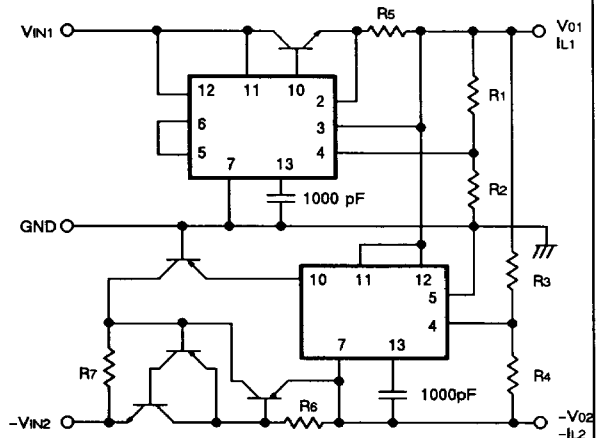
$$V_{O1} + V_{O2} \geq 40 \text{ V}$$

$$V_{O2} = \frac{R_4}{R_3} V_{O1}$$

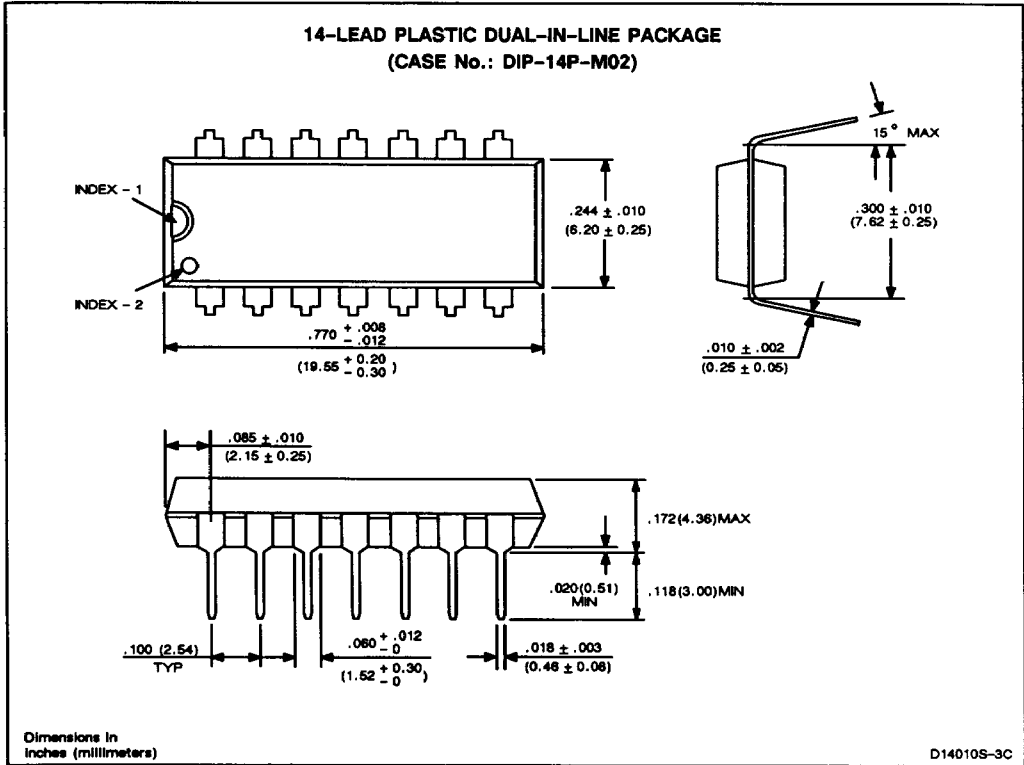
$$I_{L1MAX} \approx \frac{0.7}{R_5}$$

$$I_{L2MAX} \approx \frac{0.6}{R_5}$$

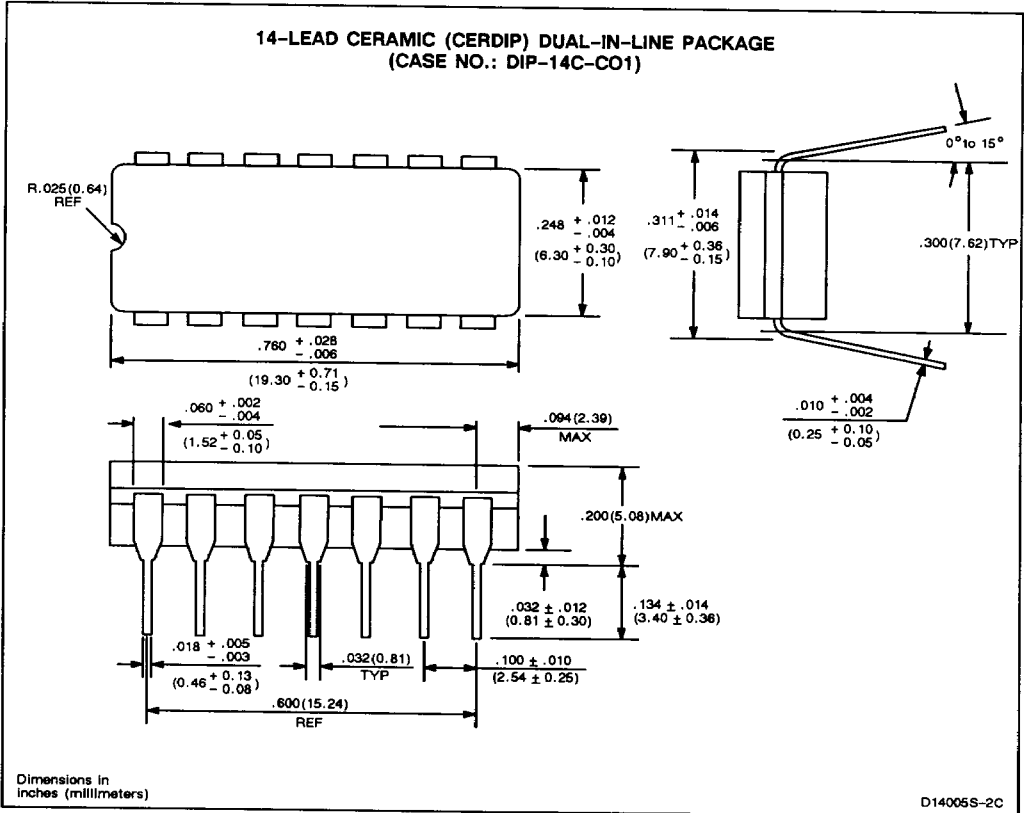
| Example for $\pm 15 \text{ V}, \pm 1 \text{ A}$ | |
|---|--|
| $R_1 = 8.2 \text{ k} \Omega$ | |
| $R_2 = 7.5 \text{ k} \Omega$ | |
| $R_3 = 15 \text{ k} \Omega$ | |
| $R_4 = 15 \text{ k} \Omega$ | |
| $R_5 = R_6 = 0.39 \Omega$ | |
| $R_7 = 2 \text{ k} \Omega$ | |



PACKAGE DIMENSIONS



PACKAGE DIMENSIONS (Continued)



4

PACKAGE DIMENSIONS (Continued)

