

SKUT 115

查询"SKUT115"供应商



SEMIPONT™ 5

Three phase antiparallel Thyristor Module

SKUT 115

Target Data

Features

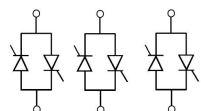
- Compact design
- Two screws mounting
- Heat transfer and isolation through direct copper board (Low R_{th})
- Low resistance in Steady-State and high reliability
- High surge currents
- Glass passivated thyristors chips
- Up to 1600V reverse voltage
- UL recognized, file no. E 63 532

Typical Applications

- Soft starter
- Light control (e.g. studios, theaters)
- Temperature control (e.g. oven, chemical processes)

V_{RSM} V	V_{RRM}, V_{DRM} V	$I_{RMS} = 105$ A (full conduction) ($T_s = 85^\circ\text{C}$)
1300	1200	SKUT 115/12
1700	1600	SKUT 115/16

Symbol	Conditions	Values	Units
I_{RMS}	W3C ; sin. 180° ; $T_s = 85^\circ\text{C}$; sin. 180° ;	105	A A
I_{TSM}	$T_{vj} = 25^\circ\text{C}$; 10 ms $T_{vj} = 125^\circ\text{C}$; 10 ms	1250	A A
i^2t	$T_{vj} = 25^\circ\text{C}$; 10 ms $T_{vj} = 125^\circ\text{C}$; 8,3...10 ms	7800	A ² s A ² s
V_T	$T_{vj} = 25^\circ\text{C}$, $I_T = 150$ A	max. 1,6	V
$V_{T(TO)}$	$T_{vj} = 125^\circ\text{C}$	max. 0,9	V
r_T	$T_{vj} = 125^\circ\text{C}$	max. 5	m Ω
I_{DD}, I_{RD}	$T_{vj} = 25^\circ\text{C}$, $V_{RD} = V_{RRM}$ $T_{vj} = 125^\circ\text{C}$, $V_{RD} = V_{RRM}$	max. 1 max. 20	mA mA
t_{gd}	$T_{vj} = 25^\circ\text{C}$, $I_G = 1$ A ; $di_G/dt = 1$ A/ μs	1	μs
t_{gr}	$V_D = 0,67 * V_{DRM}$	2	μs
$(dv/dt)_{cr}$	$T_{vj} = 125^\circ\text{C}$	500	V/ μs
$(di/dt)_{cr}$	$T_{vj} = 125^\circ\text{C}$; $f = 50...60$ Hz	100	A/ μs
t_q	$T_{vj} = 125^\circ\text{C}$; typ.	150	μs
I_H	$T_{vj} = 25^\circ\text{C}$; typ. / max.	200	mA
I_L	$T_{vj} = 25^\circ\text{C}$; $R_G = 33 \Omega$; typ. / max.	600	mA
V_{GT}	$T_{vj} = 25^\circ\text{C}$; d.c.	min. 3	V
I_{GT}	$T_{vj} = 25^\circ\text{C}$; d.c.	min. 150	mA
V_{GD}	$T_{vj} = 125^\circ\text{C}$; d.c.	max. 0,25	V
I_{GD}	$T_{vj} = 125^\circ\text{C}$; d.c.	max. 6	mA
$R_{th(j-s)}$	sin 180°C per Thyristor	0,63	K/W K/W
T_{vj}		-40...+125	$^\circ\text{C}$
T_{stg}		-40...+125	$^\circ\text{C}$
T_{sold}	Terminals, 10s max	260	$^\circ\text{C}$
V_{isol}	a. c. 50 Hz ; r.m.s. ; 1 s / 1 min.	3600 / 3000	V~
M_s	Mounting torque to Heatsink, SI units	2,5	Nm
M_t			Nm
a			m/s ²
m		75	g
Case	SEMIPONT 5	G62	

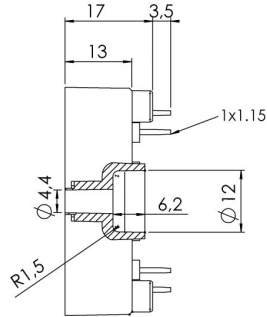
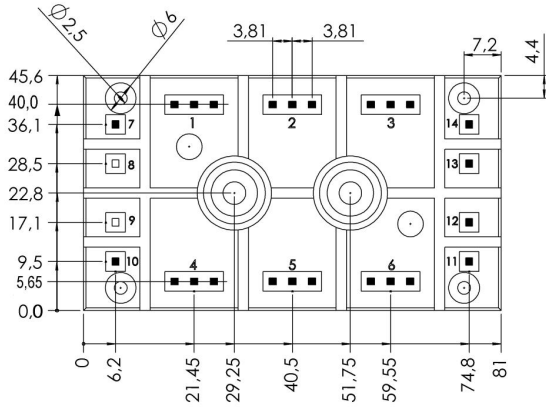
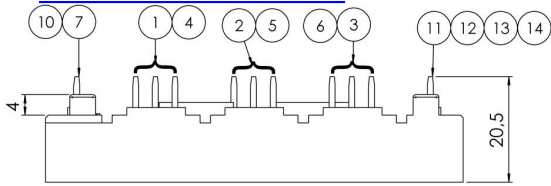


W3C

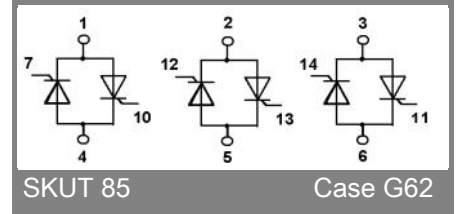
SKUT 115

查询"SKUT115"供应商

Dimensions in mm



Case G62



This technical information specifies semiconductor devices but promises no characteristics. No warranty or guarantee expressed or implied is made regarding delivery, performance or suitability.