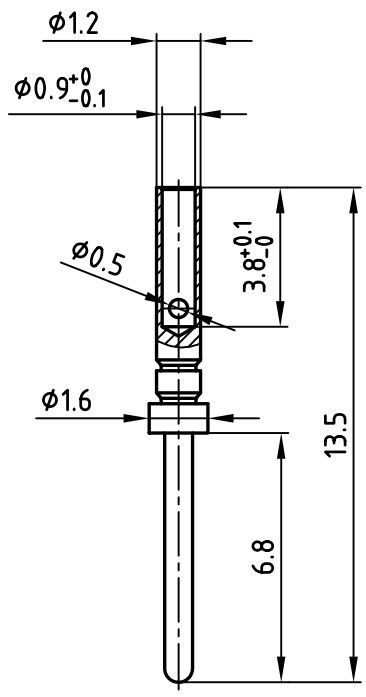
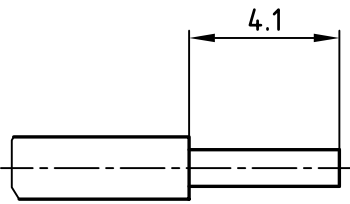


used for: D-SUB HD

(b) STRIPPING DIMENSIONS
[查询"161A18009X"供应商](#)

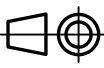



(b) NOTES:

1. CONTACTS: BRASS
 2. PLATING: 8µin HARD GOLD OVER min. 50µin NICKEL
 3. CRIMPING: USE CRIMP TOOL 360X10329X WITH TOOL INSERT 360X10629X
- SELECTOR SETTINGS: 4 for AWG 22
 3 for AWG 24
 2 for AWG 26
 1 for AWG 28

Directive 2002/95/EC
 „RoHS“
 Compliant

THIS DRAWING MAY NOT BE COPIED OR REPRODUCED IN ANY WAY, AND MAY NOT BE PASSED ON TO A THIRD PARTY WITHOUT WRITTEN PERMISSION.
 OWNERSHIP AND COPYRIGHT OF CONEC GmbH
 DO NOT ALTER CAD DRAWING BY HAND

| | | | | | |
|-----------|-------------|-----------------|--------|---|--|
| tolerance | | ISO 2768-m | |  | |
| 2001 | date | name | | | |
| drawn | 12.03. | Parei | | | |
| appd. | 12.03. | E. Mickenbecker | | | |
| norm | | | | | |
| d-old | | | | | |
| 2 x b | Ä 2647 | 11.01.2007 | Lehmen |  | |
| a | Origin | | | | |
| rev. | description | date | name | | |
| | | | | | |

| | | |
|-----------|-----------------------|---------|
| scale: | 5:1 | |
| material: | SEE NOTES | |
| title: | HD CRIMP PLUG CONTACT | |
| dwg no: | AutoCAD 2000 | DIN-A |
| | 16K1A152A | 4 |
| part no: | 161A18009X | sh: 1/1 |