

查询"2SA1045"供应商

SILICON RING EMITTER
DARLINGTON TRANSISTORS 10 AMP, 100 VOLT

7-33-33

10

ABSOLUTE MAXIMUM RATINGS

Rating	Symbol	2SC2435/2SA1045	Unit
Collector to Base Voltage	V_{CBO}	100	V
Emitter to Base Voltage	V_{EBO}	5	V
Collector to Emitter Voltage	V_{CEO}	100	V
Collector Current	I_C	10	A
Base Current	I_B	0.4	A
Collector Power Dissipation ($T_c = 25^\circ C$)	P_C	100	W
Junction Temperature	T_j	+175	$^\circ C$
Storage Temperature Range	T_{stg}	-65 ~ +175	$^\circ C$

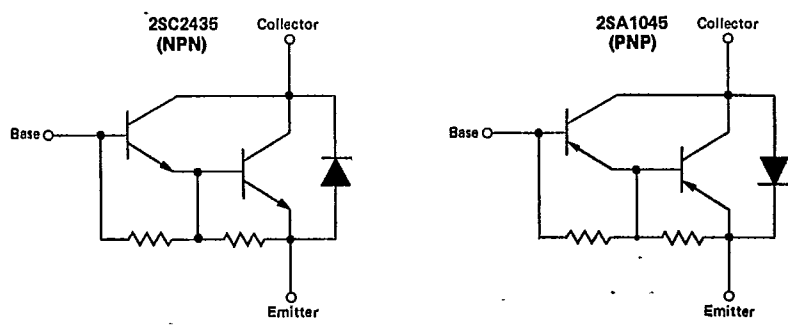


ELECTRICAL CHARACTERISTICS ($T_a = 25^\circ C$)

Parameter	Symbol	Test Conditions	Limits			Unit
			Min	Typ	Max	
Collector Cutoff Current	I_{CBO}	$V_{CB} = 100V, I_E = 0$	—	—	50	μA
Emitter Cutoff Current	I_{EBO}	$V_{EB} = 5V, I_C = 0$	—	—	5	mA
Collector to Base Breakdown Voltage	$V_{(BR)CBO}$	$I_L = 50\mu A, I_E = 0$	100	—	—	V
Emitter to Base Breakdown Voltage	$V_{(BR)EBO}$	$I_E = 5mA, I_C = 0$	5	—	—	V
Collector to Emitter Breakdown Voltage	$V_{(BR)CEO}$	$I_C = 10mA, R_{BE} = \infty$	100	—	—	V
DC Current Gain	h_{FE1}	$V_{CE} = 3V, I_C = 2A^*$	1000	4000	20000	
DC Current Gain	h_{FE2}	$V_{CE} = 3V, I_C = 10A^*$	100	—	—	
Collector to Emitter Saturation Voltage	$V_{CE(sat)}$	$I_C = 5A, I_B = 10mA^*$	—	1.5	2.0	V
Base to Emitter Saturation Voltage	$V_{BE(sat)}$		—	2.0	3.0	V
Rise Time	t_r	$I_C = 7.5A, R_L = 4\Omega$ $I_{B1} = -I_{B2} = 30mA$	—	0.4	—	μs
Storage Time	t_{stg}		—	1.5	—	μs
Fall Time	t_f		—	0.4	—	μs

*Pulsed; Pulse Width $\leq 300\mu s$, Duty cycle $\leq 6\%$.

DARLINGTON CIRCUIT SCHEMATICS



PACKAGE TYPE: TO-3. See page 5-23 for dimensions.

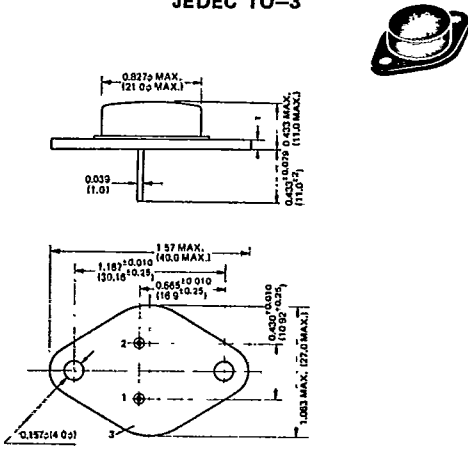
FUJITSU MICROELECTRONICS 37C 3749762 001863 0

T-90-20

查询"2SA1045"供应商

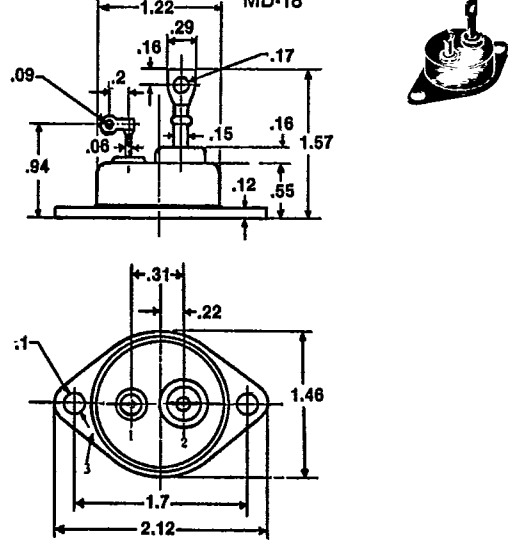
TRANSISTOR PACKAGING INFORMATION

JEDEC TO-3



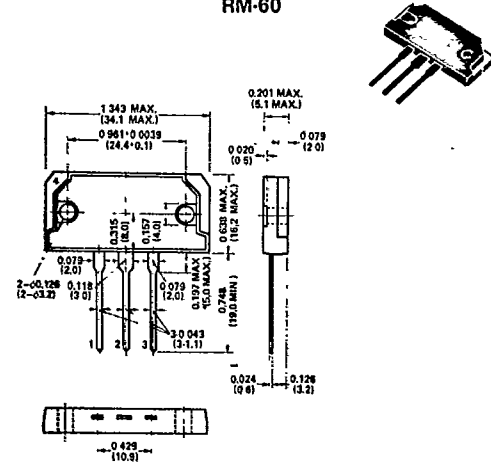
1: Base 2: Emitter 3: Collector (Case)
Dimension in inches and (millimeters)

MD-18



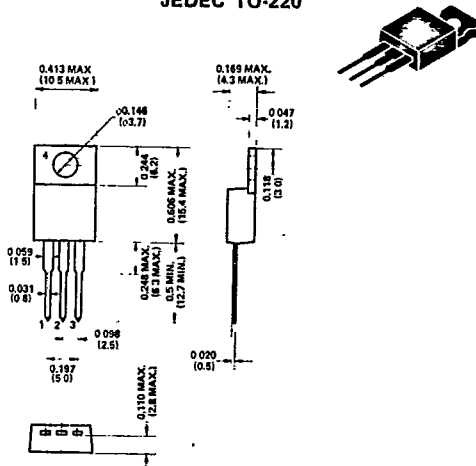
1: Base 2: Emitter 3: Collector

RM-60



1: Base 2: Collector 3: Emitter 4: Fin (Collector)
Dimension in inches and (millimeters)

JEDEC TO-220



1: Base 2: Collector 3: Emitter 4: Fin (Collector)
Dimension in inches and (millimeters)