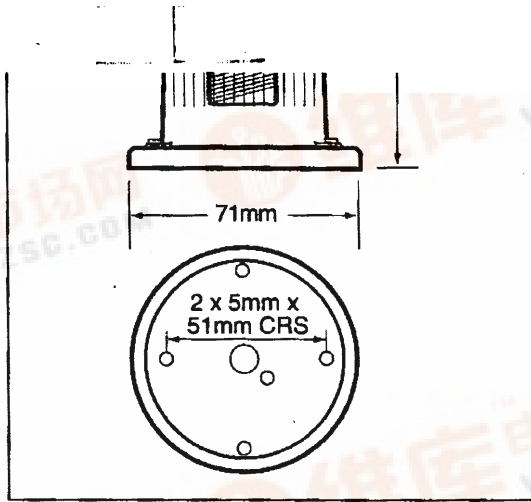


309-9544

查询"50019FA"供应商

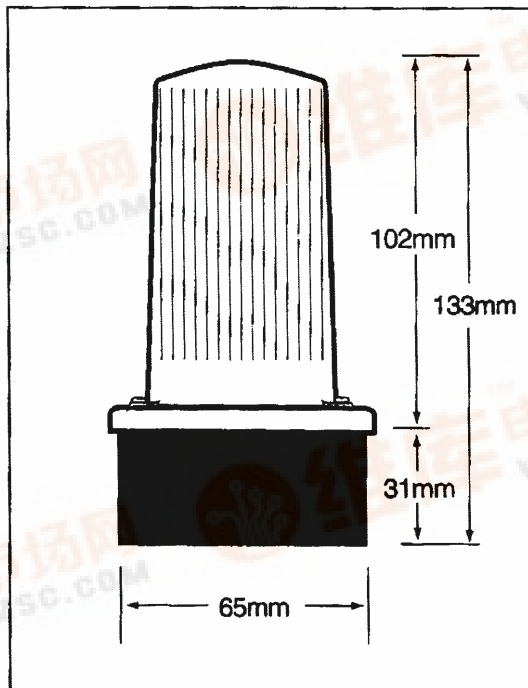
Ac~	Ba15d x 15w	0.12 A
Ac~	Ba15d x 15w	0.05 A



04 05
65 50/60 Hz Kg 0.17

FLUORESCENT BEACONS

Voltage:	Light Source:	Current:
c/Dc ~	Ba15d x 21w	1.75 A
c/Dc ~	Ba15d x 21w	0.88 A
Ac ~	Ba15d x 15w	0.12 A
Ac~	Ba15d x 15w	0.05 A



04 05
65 50/60 Hz Kg 0.17

FLUORESCENT BEACONS

Voltage:	Light Source:	Current:
c/Dc ~	H1 x 55w	4.60 A
c/Dc ~	H1 x 70w	2.90 A
c/Dc ~	Ba15d x 48w	4.00 A
c/Dc ~	Ba15d x 48w	2.00 A
c/Dc ~	Ba15d x 48w	1.00 A

