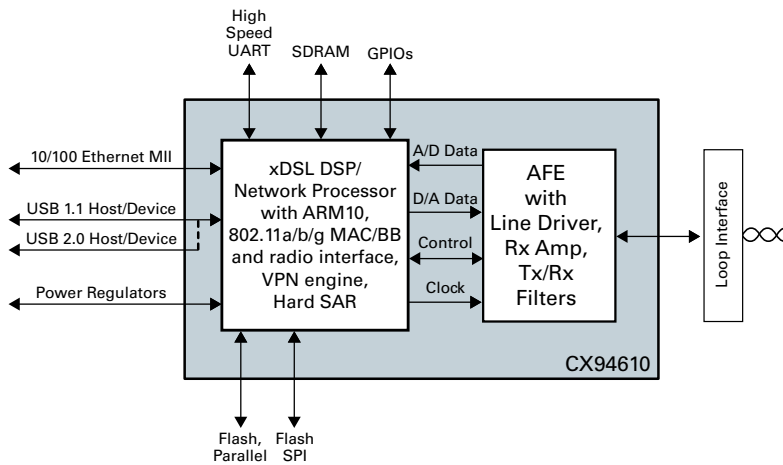


查询"CX94610"供应商



CX94610 Block Diagram

Product Features

- Support for ADSL/ADSL2/ADSL2plus (G.992.1, G.992.2, T1.413, G992.3, G.992.5) with optimized AFE designed to meet ADSL (TR-067) and ADSL2plus (WT-100) requirements
- Integrated field-proven xDSL DSP core with Annex A, B, M, I, J, and L support
- Integrated 10/100 Ethernet MAC with MII interface
- Optimized power management with support for dying gasp
- QoS features including support for extended (INP for better IPTV quality)
- Support for Parallel and Serial (SPI) Flash
- Support for DSLHome including TR-064, TR-068, TR-069, TR-098, TR-104, TR-106, TR-110, TR-111, TR-124, TR-133
- Memory and feature optimized binary and source software releases for targeted deployments
- Advanced wireless features including WPS and Smart Antenna support
- Easy to use HTML based graphical user interface (GUI) tools for customization of user configuration web pages.
- Modular IP stack with comprehensive networking protocol support including advanced bridging and routing capabilities, dynamic host configuration protocol (DHCP), point-to-point protocol over Ethernet (PPPoE), point-to-point protocol over ATM (PPPoA)

- PPP and tunneling features and routing information protocol (RIP)
- Simple network management protocol (SNMP) agent and tools
- Stateful packet inspection (SPI) firewall and network address translation (NAT) security solution
- ATM SAR engine supporting unspecified bit rate (UBR), constant bit rate (CBR) and other service classes
- UPnP for seamless network interconnectivity
- Common customer development environment and tools across ADSL to VDSL2 products
- Reference designs available for rapid prototyping
- Pin compatible option to the CX94615 Family (ADSL2plus Chipset with Integrated Wireless LAN and Voice) for platform flexibility.

Applications

- Wireless DSL bridge
- Wireless DSL router
- Integrated Wireless DSL gateway

Conexant Product Portfolio

The company's broad portfolio of semiconductor products also includes client-side DSL and cable modem solutions, home network processors, broadcast video encoders and decoders, digital set-top box components and systems solutions, and dial-up modems. In addition to its IEEE 802.11a/b/g-compliant WLAN chipsets, software, and reference designs, Conexant offers a suite of networking components that includes solutions for applications based on HomePlug® and HomePNA™. Additional products include a complete line of asymmetric and symmetric DSL central office solutions, which are used by service providers worldwide to deliver broadband data, voice, and video over copper telephone lines.

© 2007, Conexant Systems, Inc. All Rights Reserved. Conexant and the Conexant logo are registered trademarks of Conexant Systems, Inc. All other trademarks are owned by their respective owners. Although Conexant strives for accuracy in all its publications, this material may contain errors or omissions and is subject to change without notice. **THIS MATERIAL IS PROVIDED AS IS AND WITHOUT ANY EXPRESS OR IMPLIED WARRANTIES, INCLUDING MERCHANTABILITY, FITNESS FOR A PARTICULAR PURPOSE AND NON-INFRINGEMENT.** Conexant shall not be liable for any special, indirect, incidental or consequential damages as a result of its use.

www.conexant.com
General Information:
 U.S. and Canada: (888) 855-4562
 International: (732) 345-7500
Headquarters
 4000 MacArthur Blvd.
 Newport Beach, CA 92660
 Doc# PBR-201235

