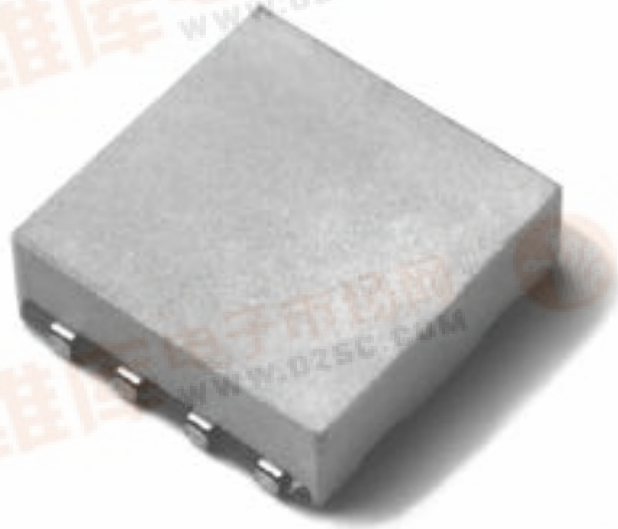


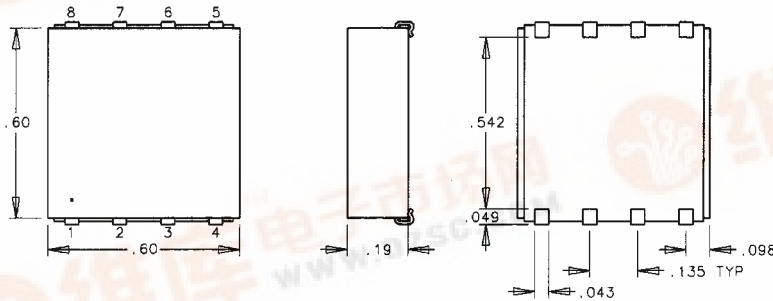
COMMERCIAL SURFACE MOUNT DETECTOR



ELECTRICAL CHARACTERISTICS

PART #	TYPE	FREQ RANGE GHz	INPUT OPERAT RANGE	FLATNESS dB	VSWR	RESP TIME μ s	MAX RF POWER dBm	DC SUPPLY Volts
4038	Thresh	.05-1	-17-0	± 1	2.1:1	25	15	+5

PACKAGE OUTLINE



DESCRIPTION

► Ideal for high volume applications, this threshold detector pinpoints RF power and allows the user to program an acceptable/unacceptable power level.

CONNECTORS

► ■ Surface mount (J-Lead)

OPERATING ENVIRONMENT

► ■ Operating Temperature: -55 to 100°C
 ■ Storage Temperature: -65 to +125°C
 ■ Impedance: 50 ohm

APPLICATIONS

► ■ Radio receivers/transmitters:
 Cellular systems
 Video systems