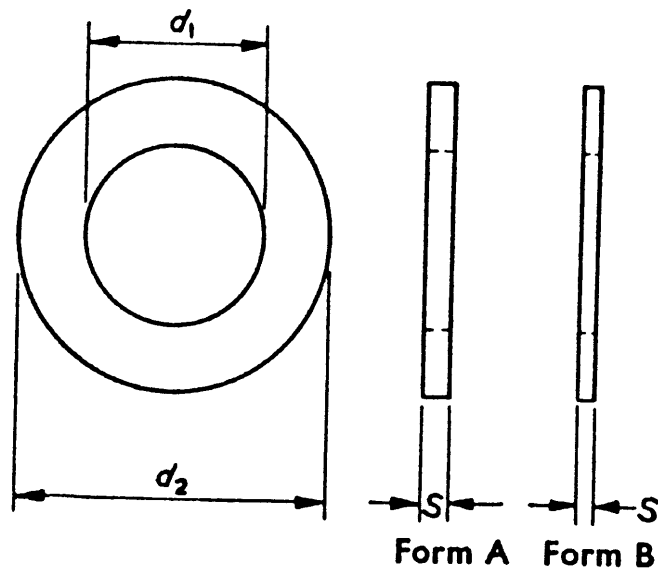


查询"4320/14"供应商

TABLE 1. BRIGHT WASHERS—NORMAL DIAMETER. METRIC SERIES
(Forms A and B)



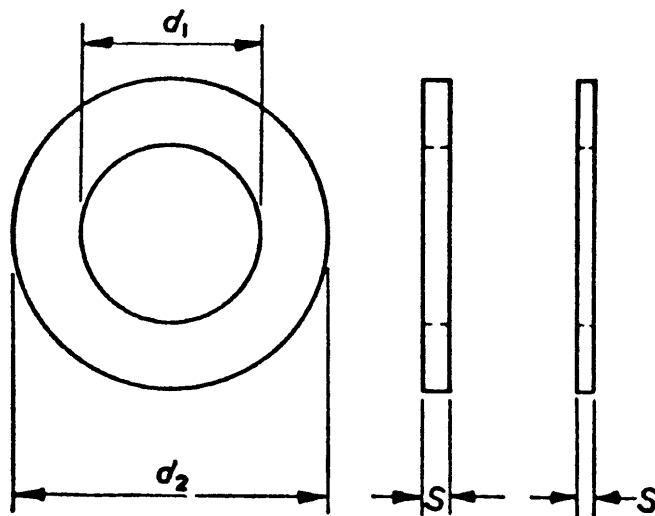
Dimensions in millimetres

1 Nominal size of bolt or screw	2 Inside diameter			5 Outside diameter			8 Thickness s					
	3 d_1			6 d_2			9 Form A (Normal range)			10 Form B (Light range)		
	4 nom.	max.	min.	nom.	max.	min.	nom.	max.	min.	nom.	max.	min.
	7	11	12	13								
M 1-0	1-1	1-25	1-1	2-5	2-5	2-3	0-3	0-4	0-2	—	—	—
M 1-2	1-3	1-45	1-3	3-0	3-0	2-8	0-3	0-4	0-2	—	—	—
(M 1-4)	1-5	1-65	1-5	3-0	3-0	2-8	0-3	0-4	0-2	—	—	—
M 1-6	1-7	1-85	1-7	4-0	4-0	3-7	0-3	0-4	0-2	—	—	—
M 2-0	2-2	2-35	2-2	5-0	5-0	4-7	0-3	0-4	0-2	—	—	—
(M 2-2)	2-4	2-55	2-4	5-0	5-0	4-7	0-5	0-6	0-4	—	—	—
M 2-5	2-7	2-85	2-7	6-5	6-5	6-2	0-5	0-6	0-4	—	—	—
M 3	3-2	3-4	3-2	7	7	6-7	0-5	0-6	0-4	—	—	—
(M 3-5)	3-7	3-9	3-7	7	7	6-7	0-5	0-6	0-4	—	—	—
M 4	4-3	4-5	4-3	9	9	8-7	0-8	0-9	0-7	—	—	—
(M 4-5)	4-8	5-0	4-8	9	9	8-7	0-8	0-9	0-7	—	—	—
M 5	5-3	5-5	5-3	10	10	9-7	1-0	1-1	0-9	—	—	—
M 6	6-4	6-7	6-4	12-5	12-5	12-1	1-6	1-8	1-4	0-8	0-9	0-7

continued on next page

TABLE 1. BRIGHT WASHERS—NORMAL DIAMETER.

METRIC SERIES (Forms A and B)—continued



Dimensions in millimetres

Form A Form B

1 Nominal size of bolt or screw	2 Inside diameter			5 Outside diameter			8 Thickness s					
	3 d_1			6 d_2			9 Form A (Normal range)			10 Form B (Light range)		
	4 nom.	max.	min.	nom.	max.	min.	nom.	max.	min.	nom.	max.	min.
	7	8	9	10	11	12	13	14	15	16	17	18
(M 7)	7.4	7.7	7.4	14	14	13.6	1.6	1.8	1.4	0.8	0.9	0.7
M 8	8.4	8.7	8.4	17	17	16.6	1.6	1.8	1.4	1.0	1.1	0.9
M 10	10.5	10.9	10.5	21	21	20.5	2.0	2.2	1.8	1.25	1.45	1.05
M 12	13.0	13.4	13.0	24	24	23.5	2.5	2.7	2.3	1.6	1.80	1.40
(M 14)	15.0	15.4	15.0	28	28	27.5	2.5	2.7	2.3	1.6	1.8	1.4
M 16	17.0	17.4	17.0	30	30	29.5	3.0	3.3	2.7	2.0	2.2	1.8
(M 18)	19.0	19.5	19.0	34	34	33.2	3.0	3.3	2.7	2.0	2.2	1.8
M 20	21	21.5	21	37	37	36.2	3.0	3.3	2.7	2.0	2.2	1.8
(M 22)	23	23.5	23	39	39	38.2	3.0	3.3	2.7	2.0	2.2	1.8
M 24	25	25.5	25	44	44	43.2	4.0	4.3	3.7	2.5	2.7	2.3
(M 27)	28	28.5	28	50	50	49.2	4.0	4.3	3.7	2.5	2.7	2.3
M 30	31	31.6	31	56	56	55.0	4.0	4.3	3.7	2.5	2.7	2.3
(M 33)	34	34.6	34	60	60	59.0	5.0	5.6	4.4	3.0	3.3	2.7
M 36	37	37.6	37	66	66	65.0	5.0	5.6	4.4	3.0	3.3	2.7
(M 39)	40	40.6	40	72	72	71.0	6.0	6.6	5.4	3.0	3.3	2.7

Sizes shown in brackets are non-preferred.