

Ø 3.5mm EARPHONE JACK

查询"010164FR"供应商

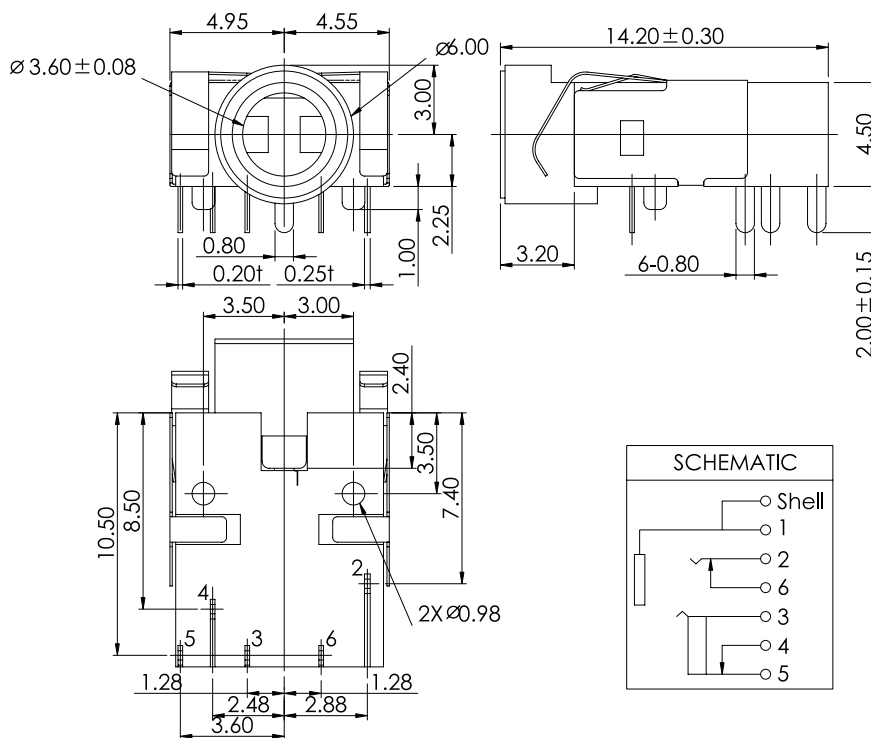
(NORMAL CLOSE TYPE)



010164FR Series

Specifications:

- **Insulator Material** : Black High Temp. Plastic
- **Operating Type Range** : -40°C TO +105°C
- **Terminal Material** : Phos. Bronze
- **Platings** : Contact Gold Plated
- **Max. Current Rating** : 1.5A
- **Max. Voltage Rating** : 12V AC
- **Dielectric Strength** : 500V AC For 60 Seconds



Order Information

010164FR006□□□□□□

1 2 3 6 4 5

1. 'R' : Right Angle Dip Type
2. No. of pins.
3. Plating
4. Color 'Z' : Black
'I' : Blue(284C)
'J' : Pink(701C)
'H' : Green(577C)
5. Package
'U' : Tube Package Without Cap
'L' : Reel Package Without Cap

6. Similar Type

Dimensional Information

SUYIN P/NO.

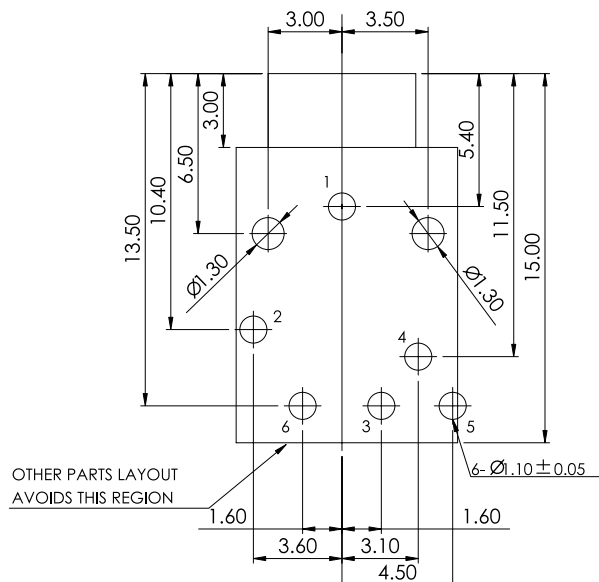
010164FR006□□07ZU

010164FR006□□08ZU

010164FR006□□10ZU

Reference Page 11

Recommended P.C.B Layout



Mobile

AUDIO JACK