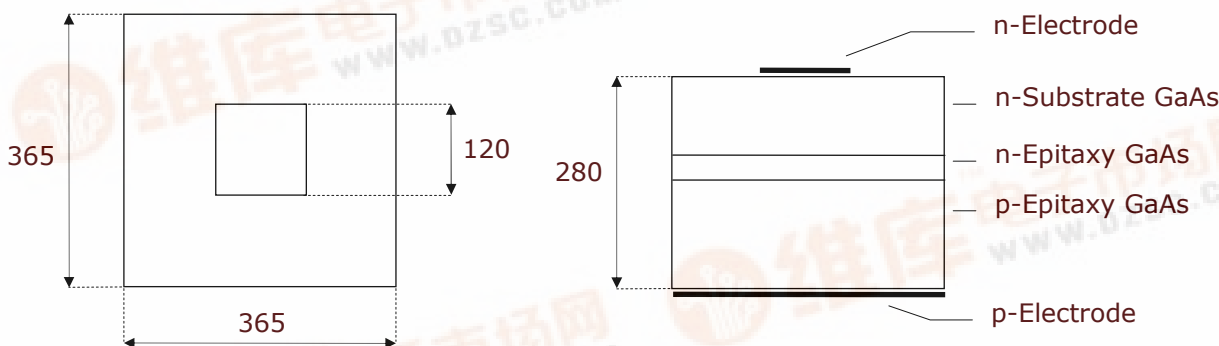


INFRA-RED **Item No.: 120134**

1. This specification applies to GaAs / GaAs LED Chips
2. Structure
 - 2.1 Mesa structure
 - 2.2 Electrodes

p-side (anode)	Au alloy
n-side (cathode)	Au alloy
3. Outlines (dimensions in microns)



Wire bond contacts can also have a spider shape

4. Electrical and optical characteristics (T=25°C)

Parameter	Symbol	Conditions	min	typ	max	Unit
Forward voltage	V_F	$I_F = 20 \text{ mA}$		1,25	1,40	V
Reverse current	I_R	$V_R = 5 \text{ V}$			10	μA
output Power *	Φ_e	$I_F = 20 \text{ mA}$	1,0	1,5		mW
		$I_F = 50 \text{ mA}$	2,5	3,5		
Switching time	t_r, t_f	$I_F = 20 \text{ mA}$		0,6		μs
Peak wavelength	λ_p	$I_F = 20 \text{ mA}$		950		nm

* On request, wafers will be delivered according to output power classes
Power measurement at OSA on gold plate

5. Packing

Dice on adhesive film with 1) wire bond side on top
2) back contact on top

6. Labeling

Type	Lot No.	Φ_e typ min max	Quantity
------	---------	----------------------------	----------

