

**DUAL OPERATIONAL AMPLIFIERS**

**AZ4558**

**General Description**

The AZ4558 consists of two high performance operational amplifiers. The IC features high gain, high input resistance, excellent channel separation, wide range of operating voltage and internal frequency compensation. It can work with  $\pm 18V$  maximum power supply voltage.

The AZ4558 is specifically suitable for applications in differential-in, differential-out as well as in potential-metric amplifiers and where gain and phase matched channels are mandatory.

The AZ4558 is available in DIP-8 and SOIC-8 package.

**Features**

- Internal Frequency Compensation
- Large Signal Voltage Gain with 100 dB Typical
- High Input Resistance with  $5M\Omega$  Typical
- Maximum Power Supply Voltages:  $\pm 18V$
- Compatible with NJM 4558
- Low Input Voltage Noise with  $10nV/\sqrt{Hz}$  at 1KHz

**Applications**

- Audio AC-3 Decoder System
- Audio Amplifier

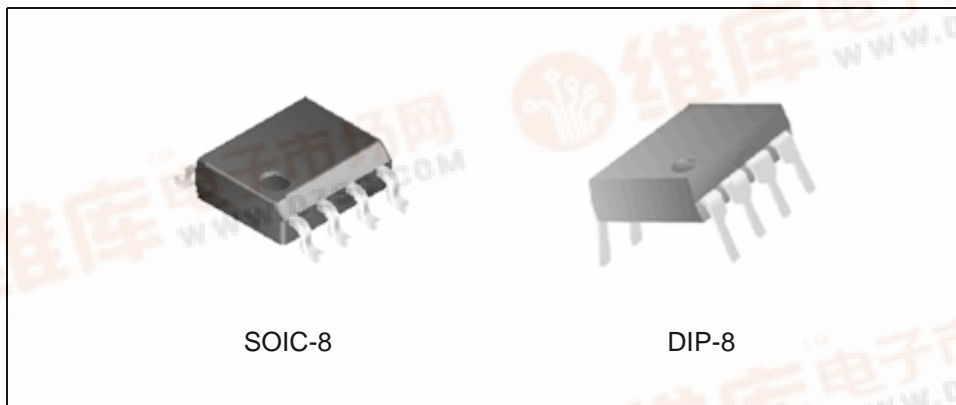


Figure 1. Package Types of AZ4558



**DUAL OPERATIONAL AMPLIFIERS**

**AZ4558**

**Pin Configuration**

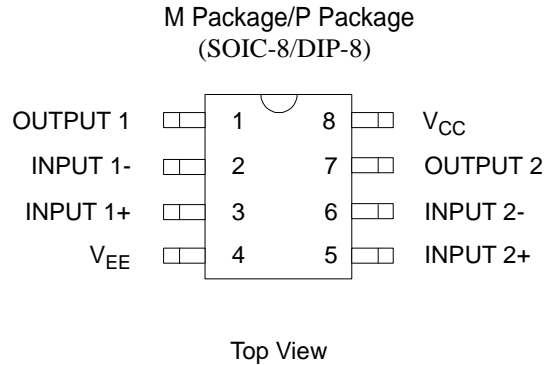


Figure 2. Pin Configuration of AZ4558

**Functional Block Diagram**

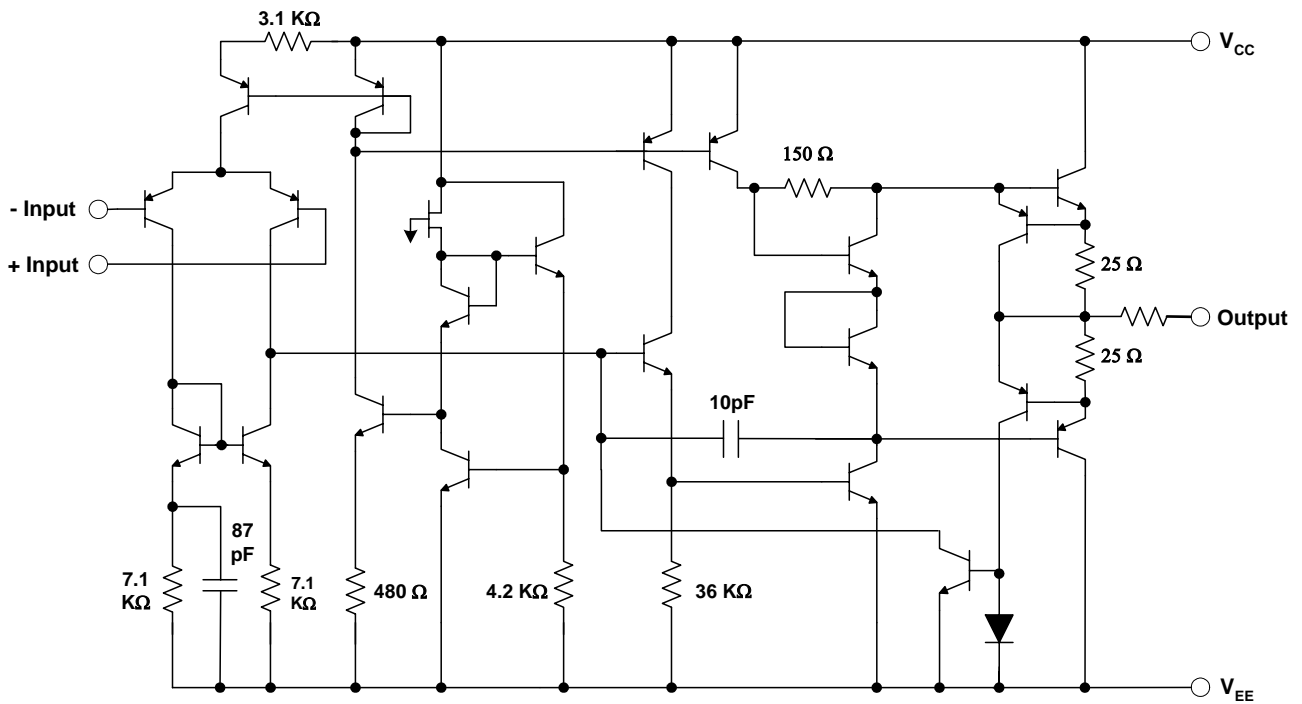


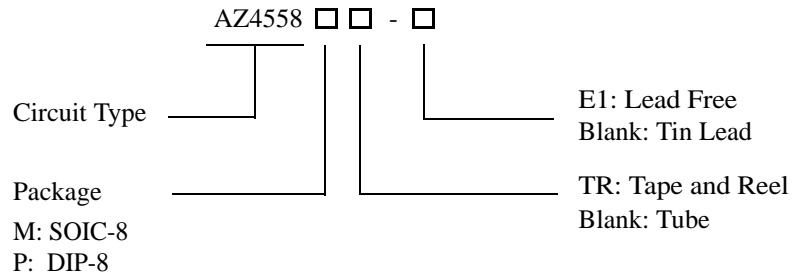
Figure 3. Representative Schematic Diagram of AZ4558 (Each Amplifier)



**DUAL OPERATIONAL AMPLIFIERS**

**AZ4558**

**Ordering Information**



Package	Temperature Range	Part Number		Marking ID		Packing Type
		Tin Lead	Lead Free	Tin Lead	Lead Free	
SOIC-8	-40 to 85°C	AZ4558M	AZ4558M-E1	4558M	4558M-E1	Tube
		AZ4558MTR	AZ4558MTR-E1	4558M	4558M-E1	Tape & Reel
DIP-8	-40 to 85°C	AZ4558P	AZ4558P-E1	AZ4558P	AZ4558P-E1	Tube

BCD Semiconductor's Pb-free products, as designated with "E1" suffix in the part number, are RoHS compliant.

**DUAL OPERATIONAL AMPLIFIERS**

**AZ4558**

**Absolute Maximum Ratings (Note 1)**

Parameter	Symbol	Value		Unit
Power Supply Voltage	V <sub>CC</sub>	+20		V
	V <sub>EE</sub>	-20		
Input Voltage	V <sub>I</sub>	±15		V
Differential Input Voltage	V <sub>ID</sub>	±30		V
Operating Junction Temperature	T <sub>J</sub>	150		°C
Storage Temperature Range	T <sub>STG</sub>	-65 to 150		°C
Lead Temperature (Soldering 10s)	T <sub>L</sub>	260		°C
Power Dissipation	P <sub>D</sub>	DIP-8	800	mW
		SOIC-8	500	

Note 1: Stresses greater than those listed under "Absolute Maximum Ratings" may cause permanent damage to the device. These are stress ratings only, and functional operation of the device at these or any other conditions beyond those indicated under "Recommended Operating Conditions" is not implied. Exposure to "Absolute Maximum Ratings" for extended periods may affect device reliability.

**Recommended Operating Conditions**

Parameter	Min	Max	Unit
Supply Voltage	±4	±18	V
Operating Temperature Range	-40	85	°C

**DUAL OPERATIONAL AMPLIFIERS**

**AZ4558**

**Electrical Characteristics**

Operating Conditions:  $V_{CC}=+15V$ ,  $V_{EE}=-15V$ ,  $T_A=25^{\circ}C$  unless otherwise specified.

Parameter	Conditions	Min	Typ	Max	Unit
Input Offset Voltage			0.5	6	mV
Input Bias Current	$V_{CM}=0V$		25	250	nA
Input Offset Current	$V_{CM}=0V$		2.5	100	nA
Input Resistance		0.3	5		MΩ
Supply Current	$R_L=\infty$ , Over full temperature range		3.3	5.7	mA
Large Signal Voltage Gain	$R_L \geq 2K$ , $V_O = \pm 10V$	85	100		dB
Common Mode Rejection Ratio	$R_S \leq 10k\Omega$	80	92		dB
Power Supply Rejection Ratio	$R_S \leq 10k\Omega$	80	95		dB
Output Current	Source	$V_+=1V$ , $V_-=0V$ , $V_O=2V$	50		mA
	Sink	$V_+=0V$ , $V_-=1V$ , $V_O=2V$	50		mA
Output Voltage Swing	$R_L \geq 2K\Omega$	$\pm 10$	$\pm 13$		V
	$R_L \geq 10K\Omega$	$\pm 12$	$\pm 14$		
Slew Rate	$R_L=2K\Omega$ , $C_L=100pF$		1.3		V/ $\mu S$
Equivalent Input Noise Voltage Density	$R_S=50\Omega$ , $f=1KHz$		10		nV/ $\sqrt{Hz}$
Gain Bandwidth Product	$R_L=2K\Omega$ , $f=10KHz$		3.4		MHz

**DUAL OPERATIONAL AMPLIFIERS**

**AZ4558**

**Typical Performance Characteristics**

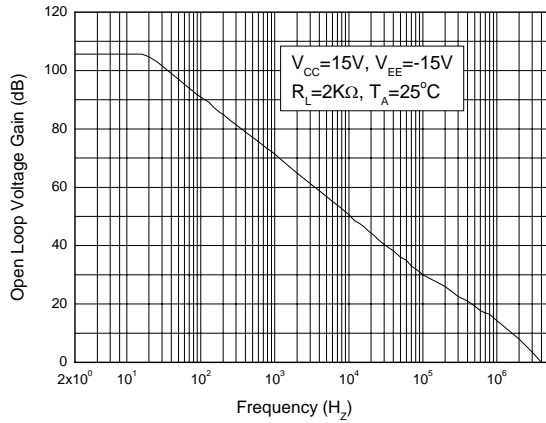


Figure 4. Open Loop Voltage Gain vs. Frequency

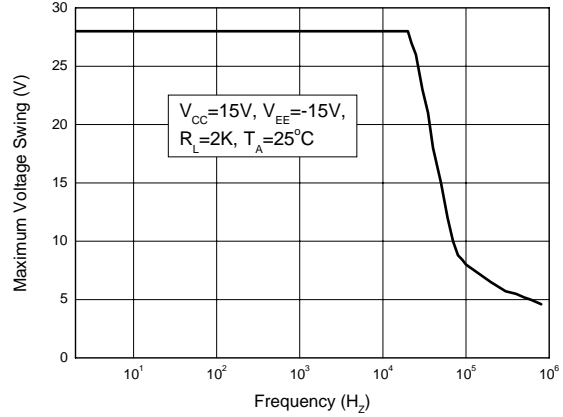


Figure 5. Maximum Output Voltage Swing vs. Frequency

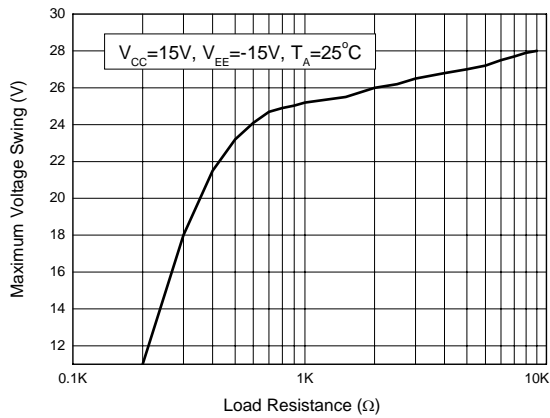


Figure 6. Maximum Output Voltage Swing vs. Load Resistance

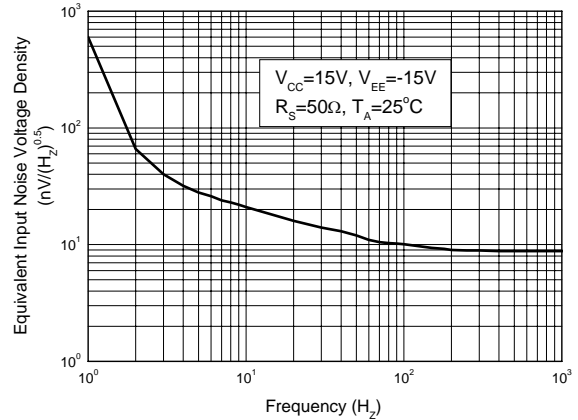


Figure 7. Equivalent Input Noise Voltage Density vs. Frequency

**DUAL OPERATIONAL AMPLIFIERS**

**AZ4558**

**Typical Performance Characteristics (Continued)**

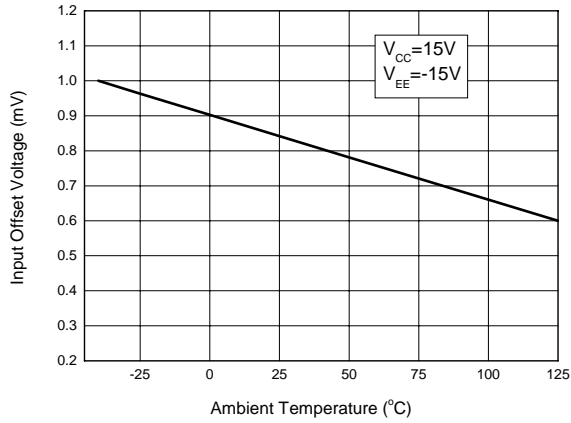


Figure 8. Input Offset Voltage vs. Temperature

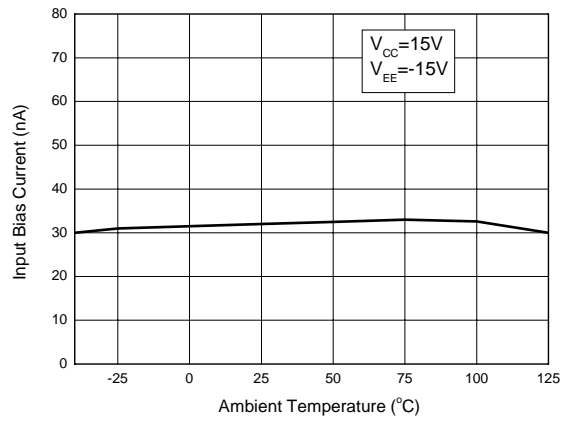


Figure 9. Input Bias Current vs. Temperature

**Typical Application**

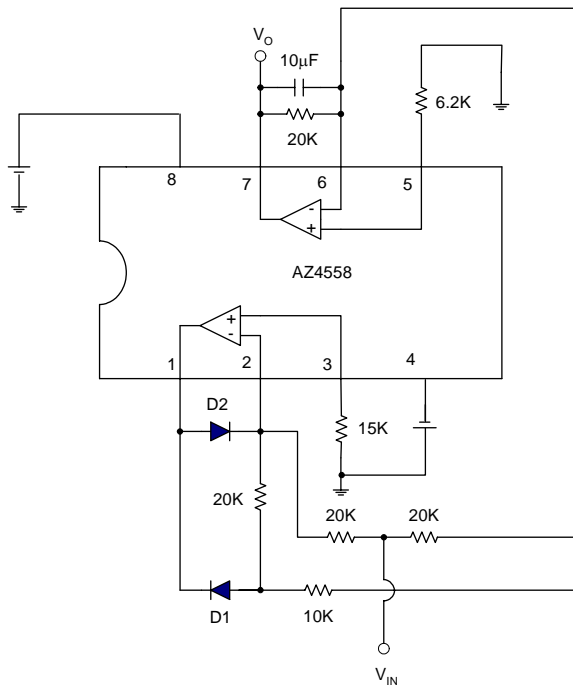


Figure 10. Application of AZ4558 in an AC/DC Converter

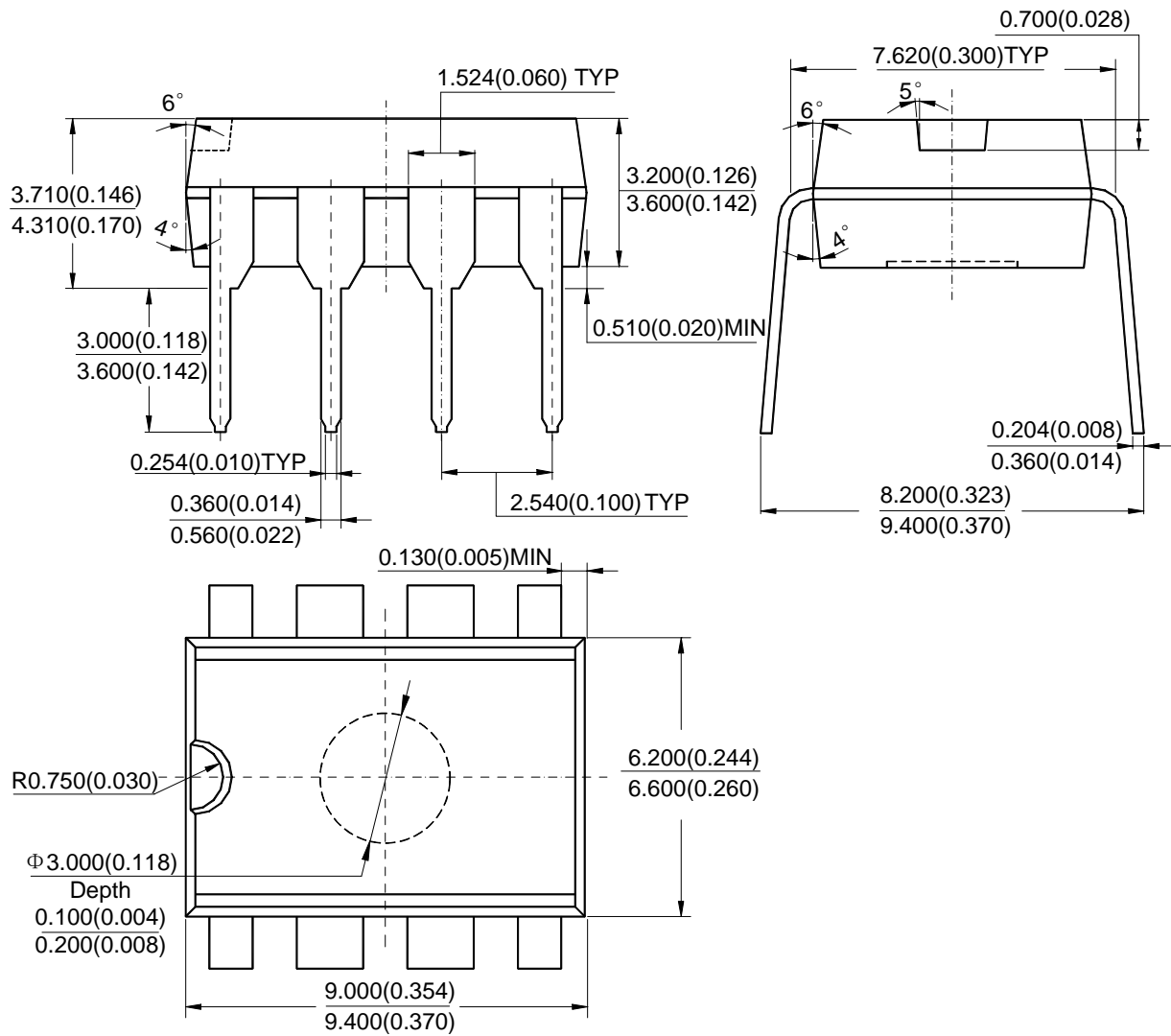
**DUAL OPERATIONAL AMPLIFIERS**

**AZ4558**

**Mechanical Dimensions**

**DIP-8**

**Unit: mm(inch)**





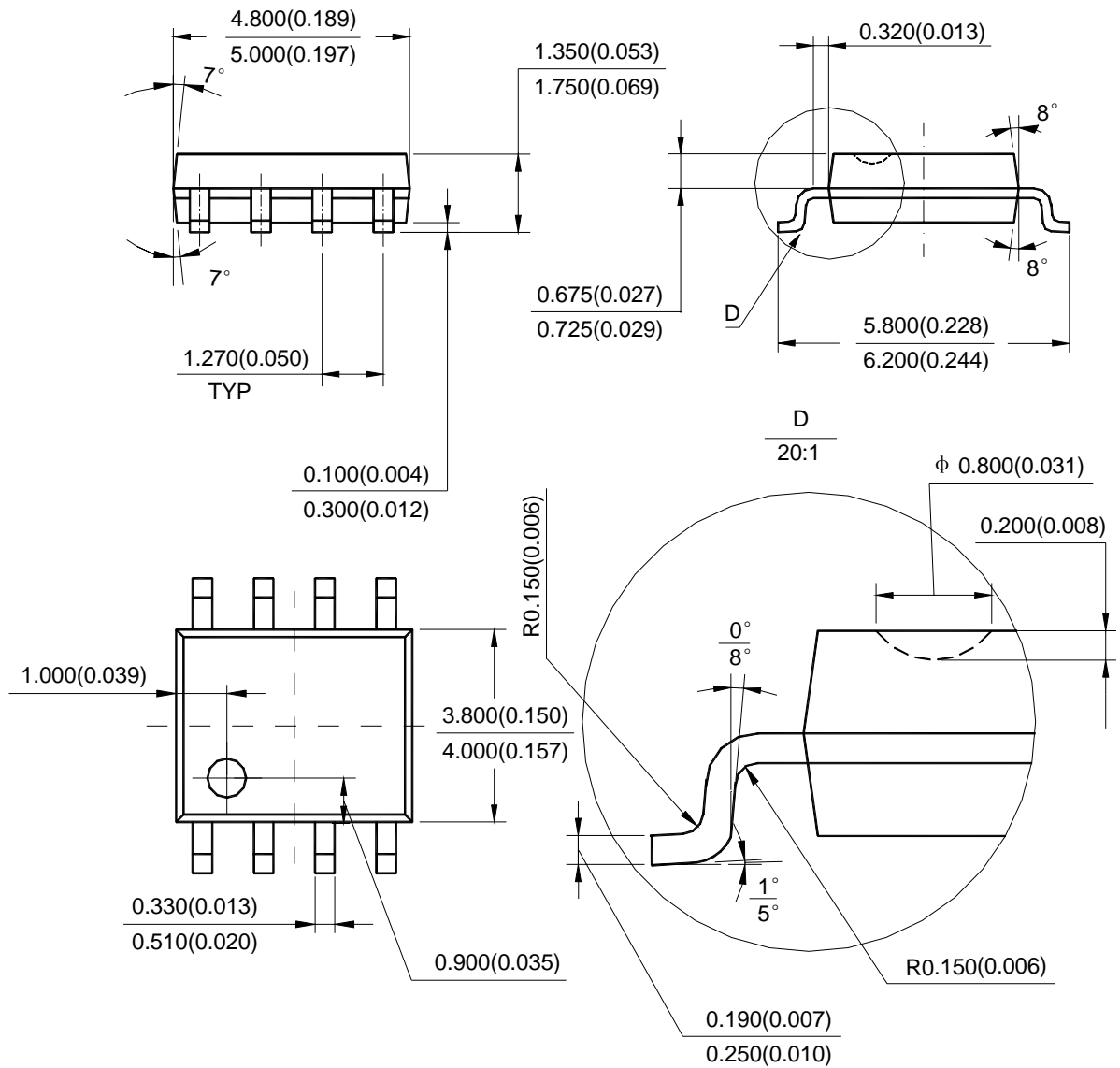
**DUAL OPERATIONAL AMPLIFIERS**

**AZ4558**

**Mechanical Dimensions (Continued)**

**SOIC-8**

**Unit: mm(inch)**



[查询"4558M"供应商](#)



BCD Semiconductor Manufacturing Limited

<http://www.bcdsemi.com>

#### IMPORTANT NOTICE

BCD Semiconductor Manufacturing Limited reserves the right to make changes without further notice to any products or specifications herein. BCD Semiconductor Manufacturing Limited does not assume any responsibility for use of any its products for any particular purpose, nor does BCD Semiconductor Manufacturing Limited assume any liability arising out of the application or use of any its products or circuits. BCD Semiconductor Manufacturing Limited does not convey any license under its patent rights or other rights nor the rights of others.

---

#### MAIN SITE

**BCD Semiconductor Manufacturing Limited**  
- Wafer Fab  
Shanghai SIM-BCD Semiconductor Manufacturing Limited  
800, Yi Shan Road, Shanghai 200233, China  
Tel: +86-21-6485 1491, Fax: +86-21-5450 0008

**BCD Semiconductor Manufacturing Limited**  
- IC Design Group  
Advanced Analog Circuits (Shanghai) Corporation  
8F, Zone B, 900, Yi Shan Road, Shanghai 200233, China  
Tel: +86-21-6495 9539, Fax: +86-21-6485 9673

#### REGIONAL SALES OFFICE

**Shenzhen Office**  
Shanghai SIM-BCD Semiconductor Manufacturing Co., Ltd. Shenzhen Office  
Advanced Analog Circuits (Shanghai) Corporation Shenzhen Office  
27B, Tower C, 2070, Middle Shen Nan Road, Shenzhen 518031, China  
Tel: +86-755-8368 3987, Fax: +86-755-8368 3166

**Taiwan Office**  
BCD Semiconductor (Taiwan) Company Limited  
4F, 298-1, Rui Guang Road, Nei-Hu District, Taipei,  
Taiwan  
Tel: +886-2-2656 2808, Fax: +886-2-2656 2806

**USA Office**  
BCD Semiconductor Corporation  
3170 De La Cruz Blvd., Suite 105, Santa Clara,  
CA 95054-2411, U.S.A  
Tel: +1-408-988 6388, Fax: +1-408-988 6386