

15V, 75mA High Efficient Buck Converter

Check for Samples: [TPS62120](#) , [TPS62122](#)

FEATURES

- Wide Input Voltage Range 2V to 15V
- Up to 96% Efficiency
- Power Save Mode with 11 μ A Quiescent Current
- Output Current 75mA
- Output Voltage Range 1.2V to 5.5V
- Up to 800kHz Switch Frequency
- Synchronous Converter, no External Rectifier
- Low Output Ripple Voltage
- 100% Duty Cycle for Lowest Dropout
- Small SOT 8 pin (TPS62120) and 2x2 SON 6 pin (TPS62122) Package
- Internal Soft Start
- Power Good Open Drain Output TPS62120
- Open Drain Output for Output Discharge TPS62120
- 2.5V Rising / 1.85V Falling UVLO Thresholds

APPLICATIONS

- Low Power RF Applications
- Ultra Low Power Microprocessor
- Energy Harvesting
- Industrial Measuring

DESCRIPTION

The TPS6212X device family is a high efficient synchronous step down DC-DC converter optimized for low power applications. It supports up to 75mA output current and allows the use of tiny external inductors and capacitors.

The wide operating input voltage range of 2V to 15V supports energy harvesting, battery powered and as well 9V or 12V line powered applications.

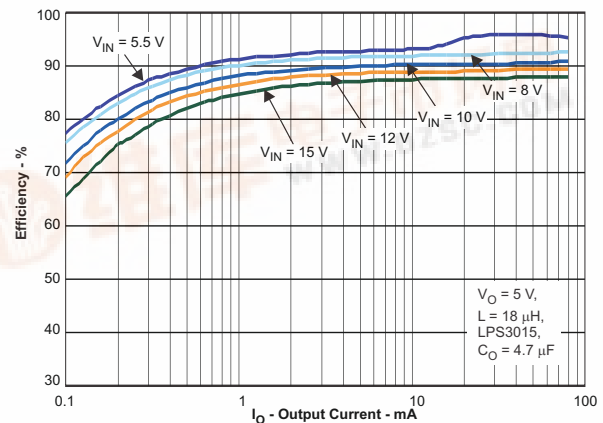
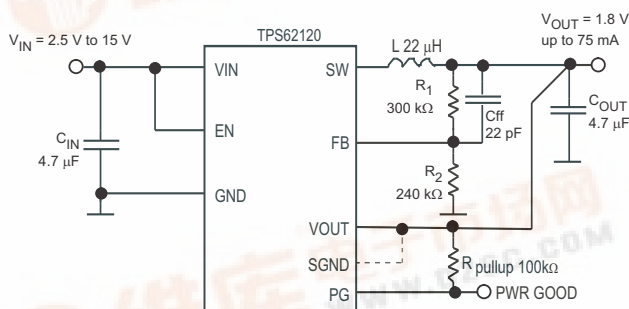
With its advanced hysteretic control scheme the converter provides power save mode operation. At light loads the converter operates in PFM mode (pulse frequency modulation) and transitions automatically in PWM (pulse width modulation) mode at higher load currents. The Power Save Mode maintains high efficiency over the entire load current range. The hysteretic control scheme is optimized for low output ripple voltage in PFM mode in order to reduce output noise to a minimum. It consumes only 10uA quiescent current from VIN in PFM mode operation.

In shutdown mode, the device is turned off.

An open drain power good output is available in the TPS62120 and indicates once the output voltage is in regulation.

TPS62120 has an additional SGND pin which is connected to GND during shutdown mode. This output can be used to discharge the output capacitor.

The TPS62120 is available in a small 3x3 mm² 8 pin SOT 23 package and the TPS62122 in a 2x2 mm² 6 pin SON package.



Please be aware that an important notice concerning availability, standard warranty, and use in critical applications of Texas Instruments semiconductor products and disclaimers thereto appears at the end of this data sheet.

PRODUCTION DATA information is current as of publication date. Products conform to specifications per the terms of the Texas Instruments standard warranty. Production processing does not necessarily include testing of all parameters.

Copyright © 2010, Texas Instruments Incorporated





These devices have limited built-in ESD protection. The leads should be shorted together or the device placed in conductive foam during storage or handling to prevent electrostatic damage to the MOS gates.

ORDERING INFORMATION

TA	PART NUMBER	ACTIVE DISCHARGE SWITCH	POWER GOOD	V _{OUT}	PACKAGE	PACKAGE DESIGNATOR CODE	ORDERING ⁽¹⁾	PACKAGE MARKING
-40°C to 85°C	TPS62120 ⁽²⁾	yes	Open Drain	adjustable	SOT 23-8	DCN	TPS62120DCN	QTX
	TPS62121	yes	yes	2V fixed	SOT 23-8	DCN	samples available	-
	TPS62122 ⁽³⁾	no	no	adjustable	DFN 2x2-6	DRV	TPS62122DRV	OFZ

- (1) For the most current package and ordering information see the Package Option Addendum at the end of this document, or see the TI Web site at www.ti.com
 (2) The DCN package is available in tape on reel. Add R suffix to order quantities of 3000 parts per reel, T suffix for 250 parts per reel.
 (3) The DRV package is available in tape on reel. Add R suffix to order quantities of 3000 parts per reel, T suffix for 250 parts per reel.

ABSOLUTE MAXIMUM RATINGS⁽¹⁾

over operating free-air temperature range (unless otherwise noted)

		VALUE		UNIT	
		MIN	MAX		
V _I	Voltage at VIN ⁽²⁾	-0.3	17	V	
	Voltage at SW PIN	dynamically during switching t < 10µs		17	V
		static DC	-0.3	6	
	Voltage at EN PIN ⁽²⁾	-0.3	VIN +0.3, but ≤17	V	
	Voltage on FB Pin	-0.3	3.6	V	
Voltage at PG, VOUT, SGND (2)	-0.3	6	V		
I _{IN}	Current into PG pin		0.5	mA	
ESD rating ⁽³⁾	HBM Human body model		2	kV	
	CDM Charge device model		1		
	Machine model		100	V	
Maximum operating junction temperature, T _J		-40	125	°C	
Storage temperature range, T _{stg}		-65	150	°C	

- (1) Stresses beyond those listed under *absolute maximum ratings* may cause permanent damage to the device. These are stress ratings only and functional operation of the device at these or any other conditions beyond those indicated under *recommended operating conditions* is not implied. Exposure to absolute-maximum-rated conditions for extended periods may affect device reliability.
 (2) All voltage values are with respect to network-ground terminal GND.
 (3) The human body model is a 100-pF capacitor discharged through a 1.5-kΩ resistor into each pin. The machine model is a 200-pF capacitor discharged directly into each pin.

THERMAL INFORMATION

THERMAL METRIC ⁽¹⁾		TPS62120	TPS62122	UNITS
		DCN	DRV	
		8 PINS	6 PINS	
θ _{JA}	Junction-to-ambient thermal resistance	259.7	114.4	°C/W
θ _{JC(top)}	Junction-to-case(top) thermal resistance	114.1	73.7	
θ _{JB}	Junction-to-board thermal resistance	185.8	201.9	
ψ _{JT}	Junction-to-top characterization parameter	21.6	0.8	
ψ _{JB}	Junction-to-board characterization parameter	121.6	94.9	
θ _{JC(bottom)}	Junction-to-case(bottom) thermal resistance	n/a	122.7	

- (1) For more information about traditional and new thermal metrics, see the *IC Package Thermal Metrics* application report, [SPRA953](#)

RECOMMENDED OPERATING CONDITIONS

		MIN	NOM	MAX	UNIT
Supply voltage V_{IN} , device in operation		2		15	V
Output current capability	$V_{IN} = 2\text{ V}$, $V_{OUT} = 1.8\text{ V}$, $DCR_L = 0.7\ \Omega$	25			mA
	$V_{IN} \geq 2.5\text{ V}$, $V_{OUT} = 1.8\text{ V}$, $DCR_L = 0.7\ \Omega$	75			
Effective inductance		10	22	33	μH
Effective output capacitance		1.0	2	33	μF
Output voltage range		1.2		5.5	V
Operating ambient temperature T_A ⁽¹⁾ , (Unless Otherwise Noted)		-40		85	$^{\circ}\text{C}$
Operating junction temperature range, T_J		-40		125	$^{\circ}\text{C}$

(1) In applications where high power dissipation and/or poor package thermal resistance is present, the maximum ambient temperature may have to be derated. Maximum ambient temperature ($T_{A(max)}$) is dependent on the maximum operating junction temperature ($T_{J(max)}$), the maximum power dissipation of the device in the application ($P_{D(max)}$), and the junction-to-ambient thermal resistance of the part/package in the application (θ_{JA}), as given by the following equation: $T_{A(max)} = T_{J(max)} - (\theta_{JA} \times P_{D(max)})$.

ELECTRICAL CHARACTERISTICS

$V_{IN} = 8\text{ V}$, $V_{OUT} = 1.8\text{ V}$, $EN = V_{IN}$, $T_J = -40^{\circ}\text{C}$ to 85°C , typical values are at $T_J = 25^{\circ}\text{C}$ (unless otherwise noted), $C_{IN} = 4.7\ \mu\text{F}$, $L = 22\ \mu\text{H}$, $C_{OUT} = 4.7\ \mu\text{F}$, see Parameter Measurement Information

PARAMETER		TEST CONDITIONS	MIN	TYP	MAX	UNIT	
SUPPLY							
V_{IN}	Input voltage range ⁽¹⁾	Device operating	2		15	V	
I_Q	Quiescent current	$I_{OUT} = 0\text{ mA}$, Device not switching, $EN = V_{IN}$, regulator sleeps		11	18	μA	
		$I_{OUT} = 0\text{ mA}$, Device switching, $V_{IN} = 8\text{ V}$, $V_{OUT} = 1.8\text{ V}$		13		μA	
I_{Active}	Active mode current consumption	$V_{IN} = 5.5\text{ V} = V_{OUT}$, $T_J = 25^{\circ}\text{C}$, high-side MOSFET switch fully turned on		240	275	μA	
I_{SD}	Shutdown current	$EN = \text{GND}$, $V_{OUT} = \text{SW} = 0\text{ V}$, $V_{IN} = 3.6\text{ V}$ ⁽²⁾		0.3	1.2	μA	
V_{UVLO}	Undervoltage lockout threshold	Falling V_{IN}		1.85	1.95	V	
		Rising V_{IN}		2.5	2.61	V	
ENABLE, THRESHOLD							
$V_{IH\ TH}$	Threshold for detecting high EN	$2\text{ V} \leq V_{IN} \leq 15\text{ V}$, rising edge		0.8	1.1	V	
$V_{IL\ TH\ HYS}$	Threshold for detecting low EN	$2\text{ V} \leq V_{IN} \leq 15\text{ V}$, falling edge		0.4	0.6	V	
I_{IN}	Input bias current, EN	$EN = \text{GND}$ or V_{IN}		0	50	nA	
POWER SWITCH							
$R_{DS(ON)}$	high-side MOSFET on-resistance	$V_{IN} = 3.6\text{ V}$		2.3	3.4	Ω	
		$V_{IN} = 8\text{ V}$		1.75	2.5		
	low-side MOSFET on-resistance	$V_{IN} = 3.6\text{ V}$		1.3	2.5		
		$V_{IN} = 8\text{ V}$		1.2	1.75		
I_{LIMF}	Forward current limit MOSFET high-side	$V_{IN} = 8\text{ V}$, Open loop		200	250	400	mA
T_{SD}	Thermal shutdown	Increasing junction temperature		150		$^{\circ}\text{C}$	
	Thermal shutdown hysteresis	Decreasing junction temperature		20		$^{\circ}\text{C}$	

(1) The typical required supply voltage for startup is 2.5V. The part is functional down to the falling UVLO (Under Voltage Lockout) threshold

(2) Shutdown current into V_{IN} pin, includes internal leakage

ELECTRICAL CHARACTERISTICS (continued)

$V_{IN} = 8V$, $V_{OUT} = 1.8V$, $EN = V_{IN}$, $T_J = -40^{\circ}C$ to $85^{\circ}C$, typical values are at $T_J = 25^{\circ}C$ (unless otherwise noted), $C_{IN} = 4.7\mu F$, $L = 22\mu H$, $C_{OUT} = 4.7\mu F$, see Parameter Measurement Information

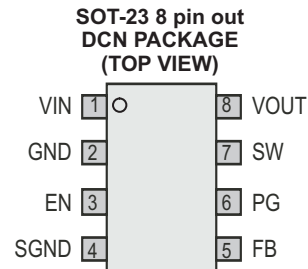
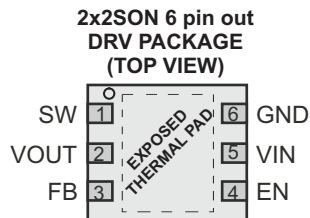
PARAMETER		TEST CONDITIONS	MIN	TYP	MAX	UNIT
REGULATOR						
t_{ONmin}	Minimum ON time	$V_{IN} = 3.6V$, $V_{OUT} = 1.8V$		700		ns
t_{OFFmin}	Minimum OFF time	$V_{IN} = 3.6V$, $V_{OUT} = 1.8V$		60		ns
V_{REF}	Internal reference voltage			0.8		V
V_{FB}	Feedback FB voltage comparator threshold	Referred to 0.8V internal reference	-2.5%	0%	2.5%	
	Feedback FB voltage line regulation	$I_{OUT} = 50mA$, ⁽³⁾		0.04		%/V
I_{IN}	Input bias current FB	$V_{FB} = 0.8V$		0	50	nA
t_{Start}	Regulator start-up time	Time from active EN to device starts switching, $V_{IN} = 2.6V$		50	150	μs
t_{Ramp}	Output voltage ramp time	Time to ramp up $V_{OUT} = 1.8V$, no load ⁽⁴⁾		120	300	
I_{LK_SW}	Leakage current into SW pin	$V_{OUT} = V_{IN} = V_{SW} = 1.8V$, $EN = GND$, device in shutdown mode		1	1.5	μA
POWER GOOD OUTPUT (TPS62120)						
V_{THPG}	Power Good threshold voltage	Rising V_{FB} feedback voltage	93%	95%	97%	
		Falling V_{FB} feedback voltage	87%	90%	93%	
V_{OL}	Output low voltage	Current into PG pin $I = 500\mu A$, $V_{OUT} > 1.5V$			165	mV
		Current into PG pin $I = 100\mu A$, $1.2V < V_{OUT} < 1.5V$			50	
V_H	Output high voltage	Open drain output, external pull up resistor			5.5	V
I_{LKG}	Leakage current into PG pin	$V_{(PG)} = 1.8V$, $EN = high$, $FB = 0.85V$		0	50	nA
	Leakage into VOUT pin	$V_{(OUT)} = 1.8V$		0	50	nA
T_{PGDL}	Internal power good comparator delay time	$V_{OUT} = 1.8V$		2	5	μs
SGND OPEN DRAIN OUTPUT (TPS62120)						
R_{DSON}	NMOS drain source resistance	$SGND = 1.8V$, $V_{IN} = 2V$		370		Ω
I_{LKG}	Leakage current into SGND pin	$EN = V_{IN}$, $SGND = 1.8V$		0	50	nA

(3) $V_{OUT} + 1V \leq V_{IN}$; $V_{OUT} \leq 5.5V$

(4) Maximum value not production tested

DEVICE INFORMATION

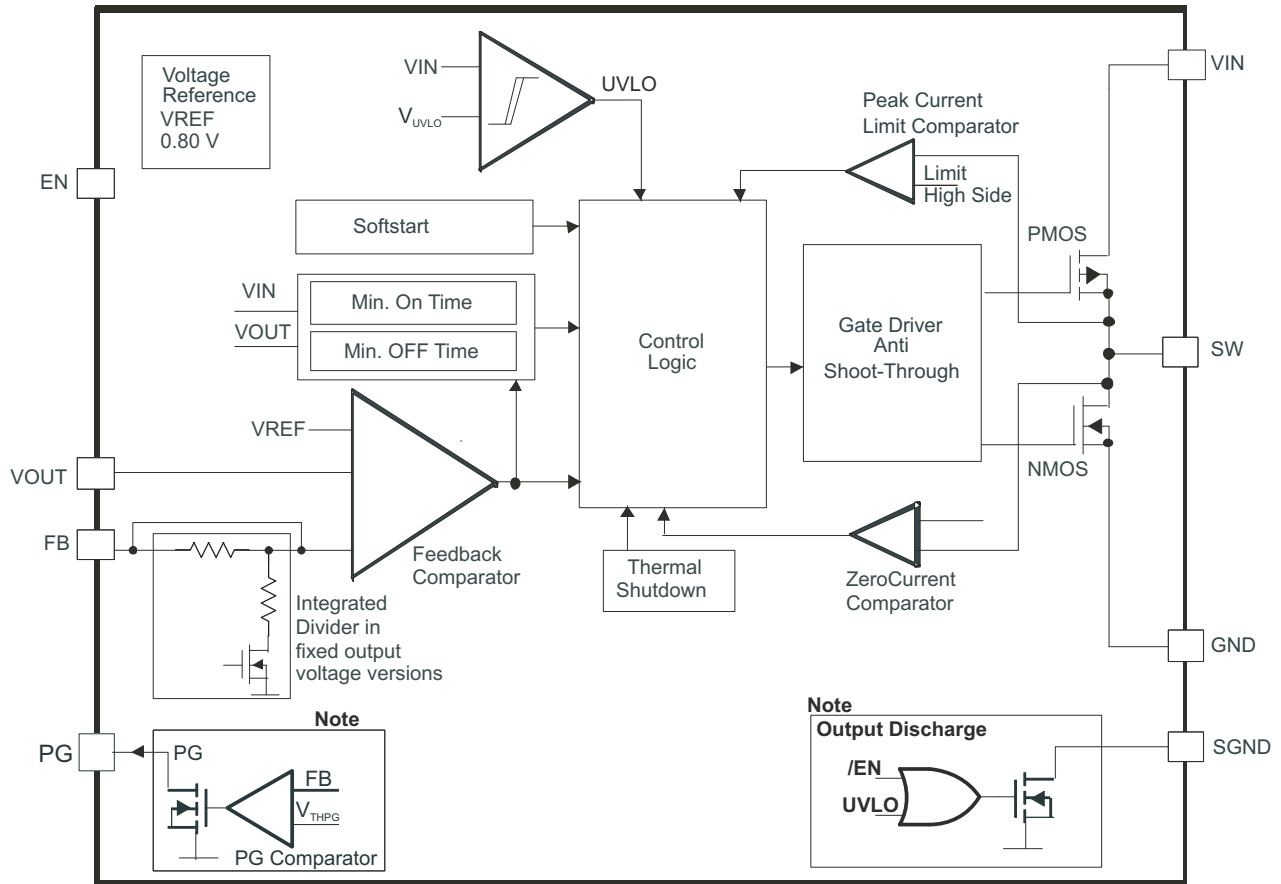
PIN ASSIGNMENTS



PIN FUNCTIONS

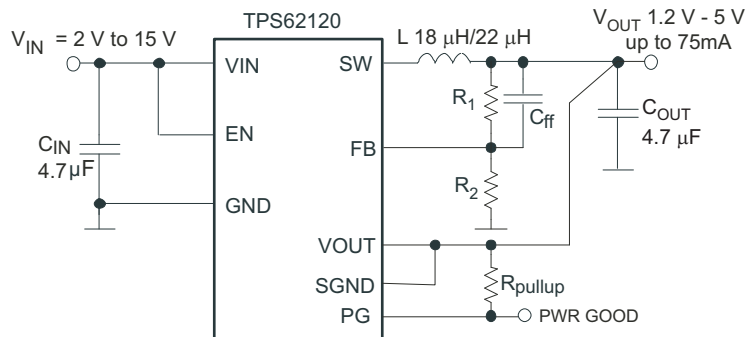
PIN			I/O	DESCRIPTION
NAME	DRV NO.	DCN NO.		
VIN	5	1	PWR	V _{IN} power supply pin.
GND	6	2	PWR	GND supply pin.
EN	4	3	IN	Pulling this pin to high activates the device. Low level shuts it down. This pin must be terminated.
SW	1	7	OUT	This is the switch pin and is connected to the internal MOSFET switches. Connect the inductor to this terminal. Do not tie this pin to VIN, VOUT or GND.
FB	3	5	IN	This is the feedback pin for the regulator. Connect external resistor divider to this pin.
SGND	–	4	IN	This pin is available in TPS62120 only. Open drain output which is turned on during shutdown mode (EN = 0) or VIN is below the UVLO threshold. It connects the SGND pin to GND via an internal MOSFET with typical 370Ω R _{DS(ON)} . When the device is enabled (EN = 1), this output is high impedance. To discharge the output capacitor during shutdown mode, connect this pin to VOUT (output capacitor) or leave it open.
VOUT	2	8	IN	This pin must be connected to the output capacitor.
PG	–	6	OUT	This pin is available in TPS62120 only. Open drain power good output. Connect this terminal via a pull up resistor to a voltage rail up to 5.5V or leave it open. This pin can sink 500μA.
	Exposed Thermal PAD	-		Exposed Thermal Pad available only in DRV package option. This pad must be connected to GND.

FUNCTIONAL BLOCK DIAGRAM



NOTE: Function available in TPS62120

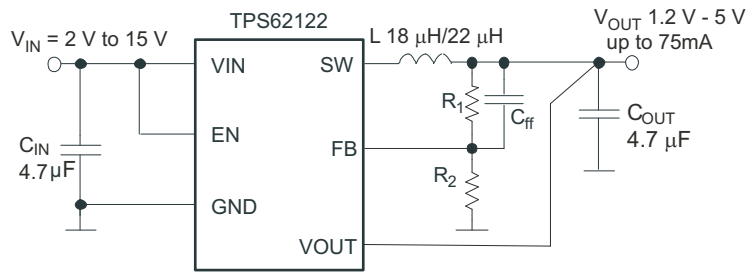
PARAMETER MEASUREMENT INFORMATION



L = 18 μ H LPS3015 Coilcraft
22 μ H LQH3NPN Murata

C_{IN}: 4.7 μ F GRM21B series X5R (0805size) 25V Murata
C_{OUT}: 4.7 μ F GRM188 series X5R (0603size) 6.3V Murata

PARAMETER MEASUREMENT INFORMATION (continued)



L = 18 μH LPS3015 Coilcraft
 22 μH LQH3NPN Murata
 C_{IN} : 4.7 μF GRM21B series X5R (0805size) 25V Murata
 C_{OUT} : 4.7 μF GRM188 series X5R (0603size) 6.3V Murata

TYPICAL CHARACTERISTICS

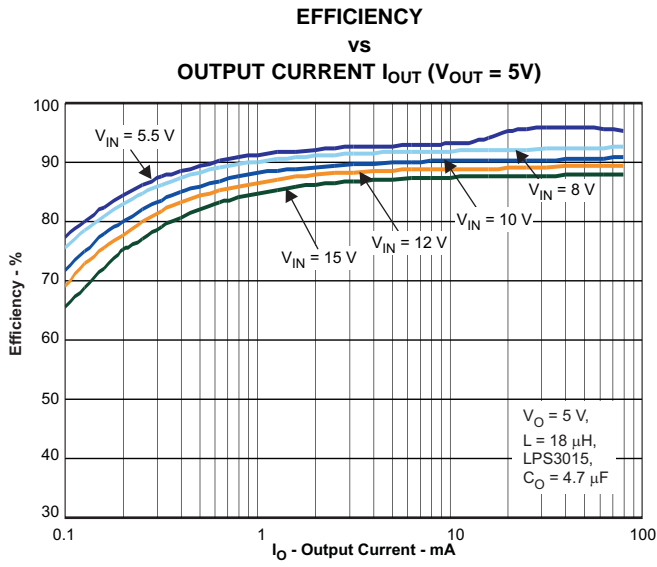


Figure 1.

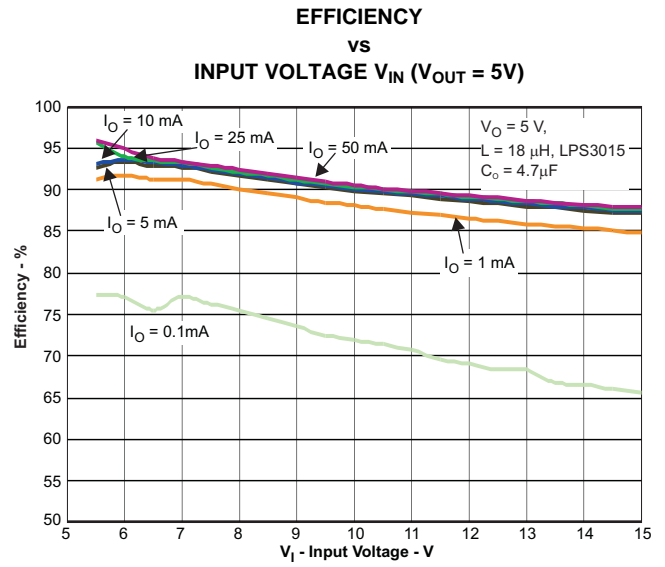


Figure 2.

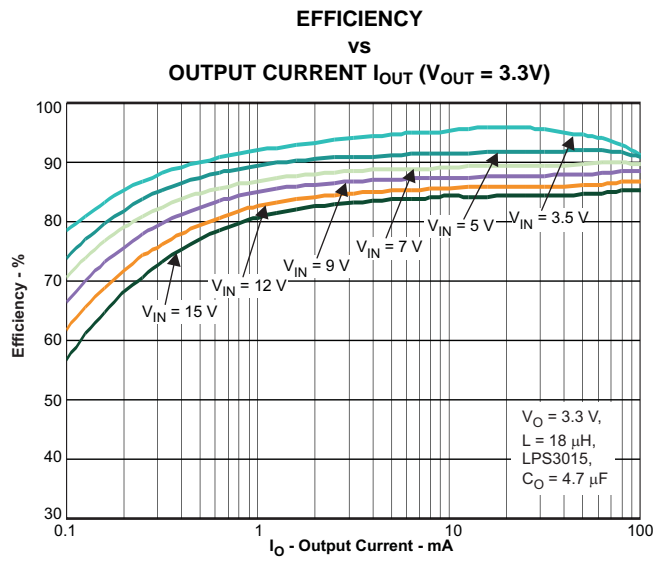


Figure 3.

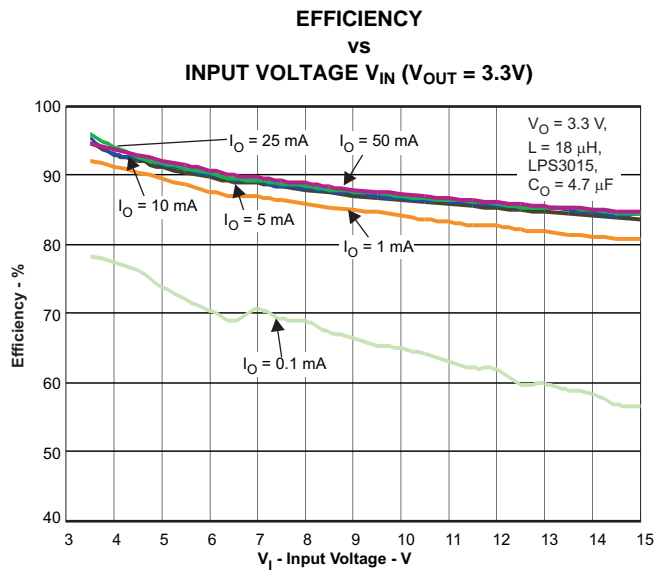


Figure 4.

TYPICAL CHARACTERISTICS (continued)

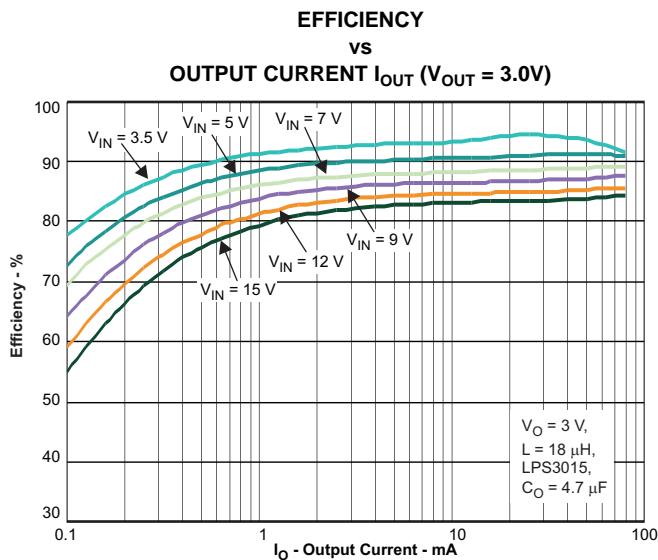


Figure 5.

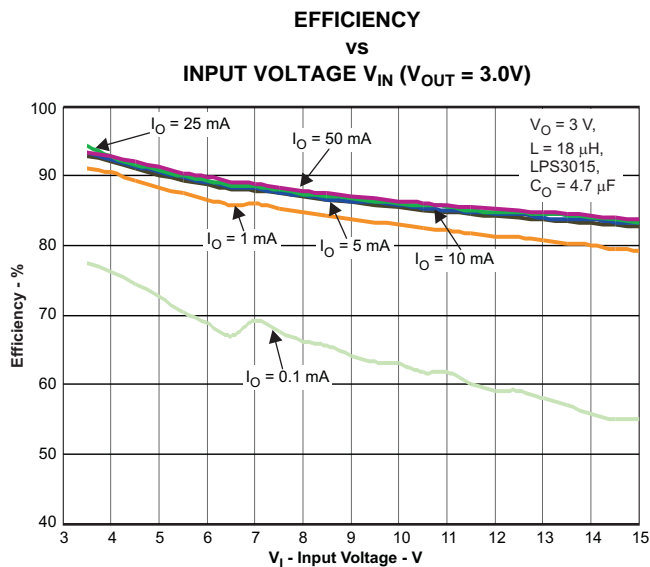


Figure 6.

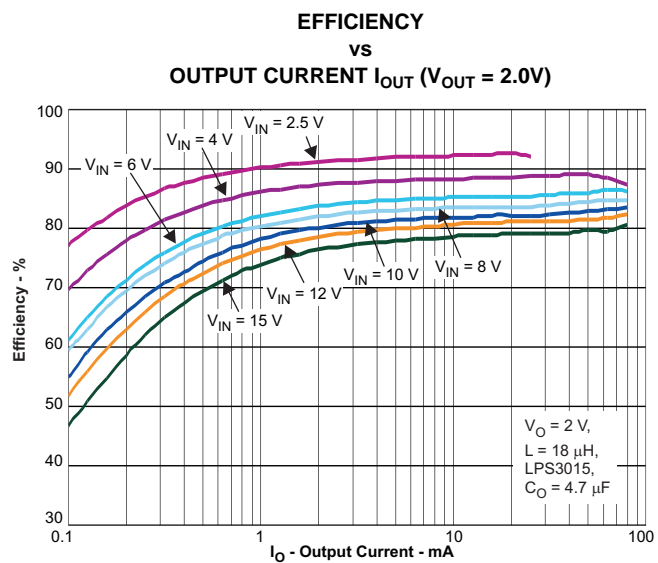


Figure 7.

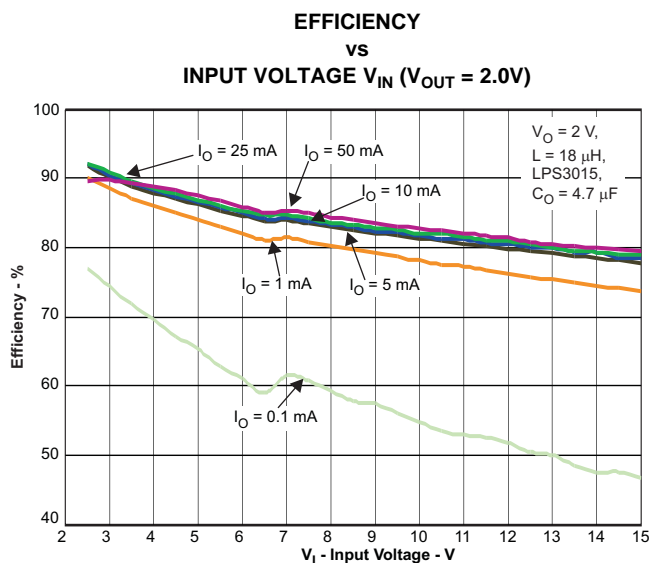


Figure 8.

TYPICAL CHARACTERISTICS (continued)

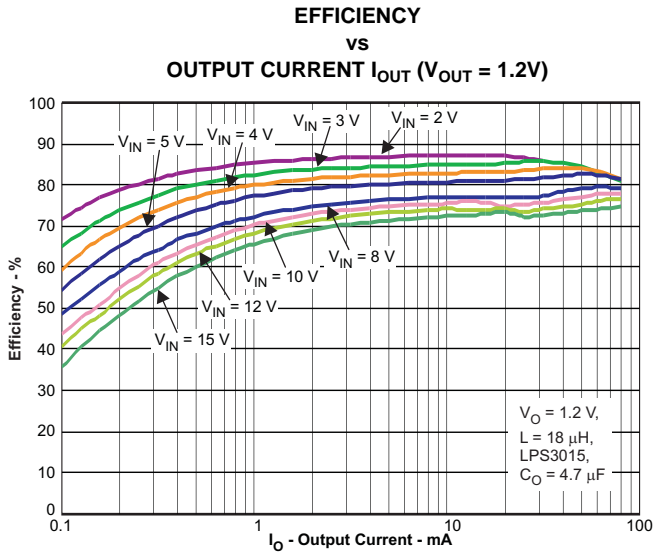


Figure 9.

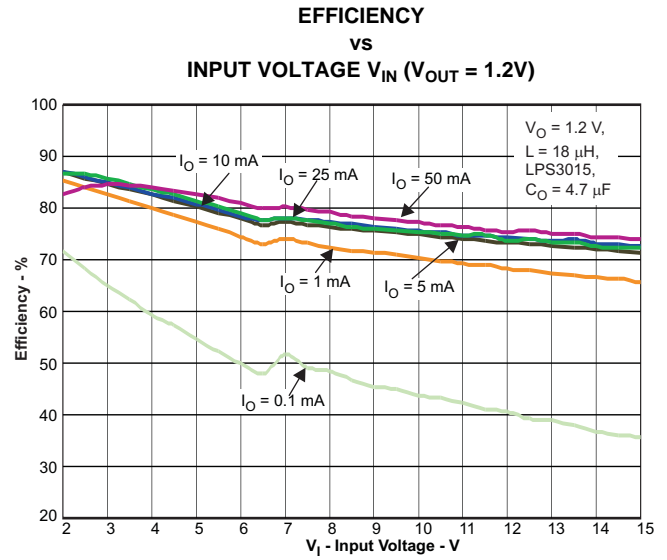


Figure 10.

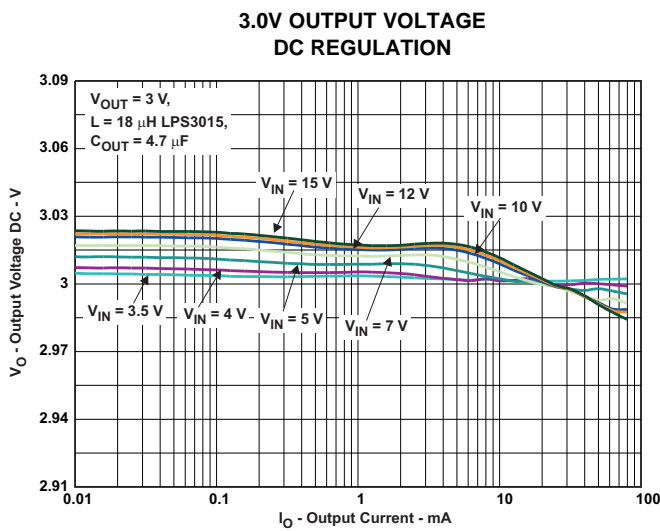


Figure 11.

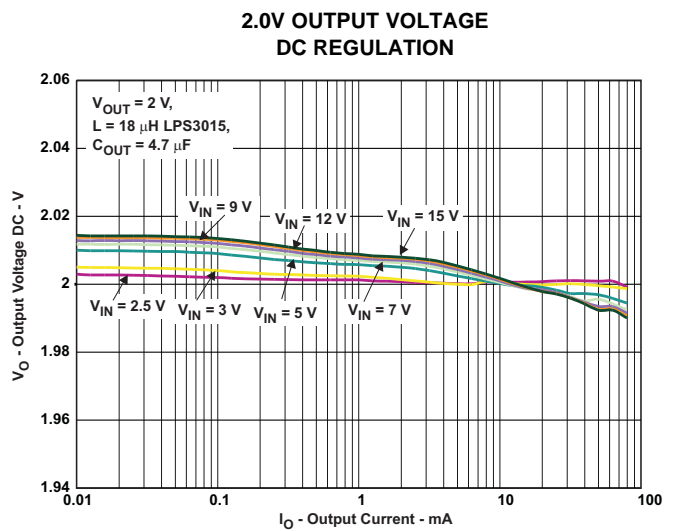


Figure 12.

TYPICAL CHARACTERISTICS (continued)

LOW-SIDE SWITCH RESISTANCE $R_{DS(ON)}$
VS
 V_{IN}

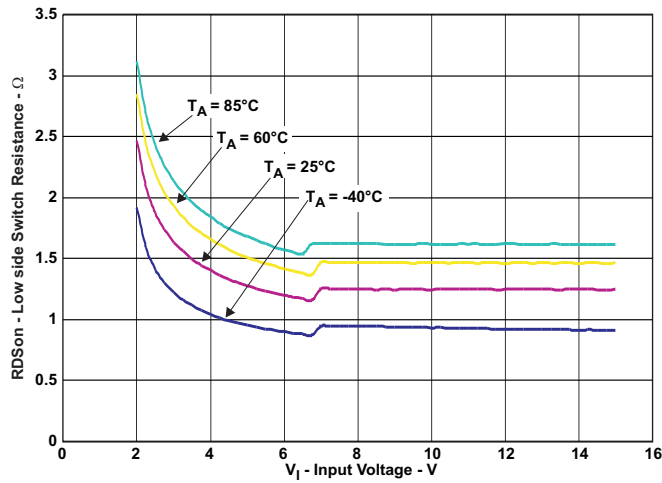


Figure 13.

QUIESCENT CURRENT
VS
 V_{IN}

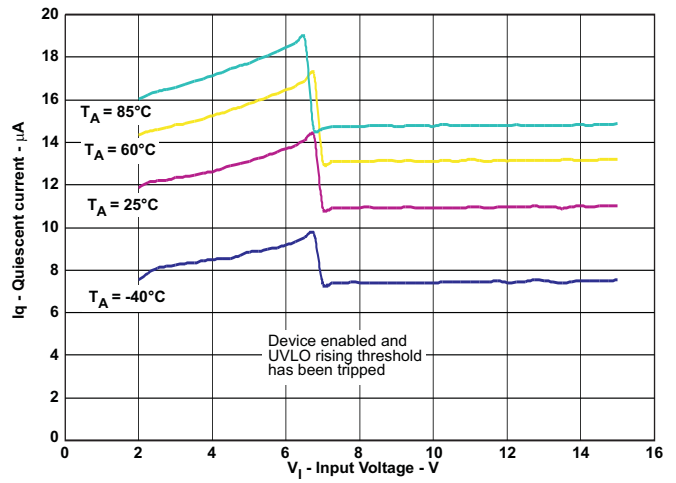


Figure 14.

SHUTDOWN CURRENT
VS
 V_{IN}

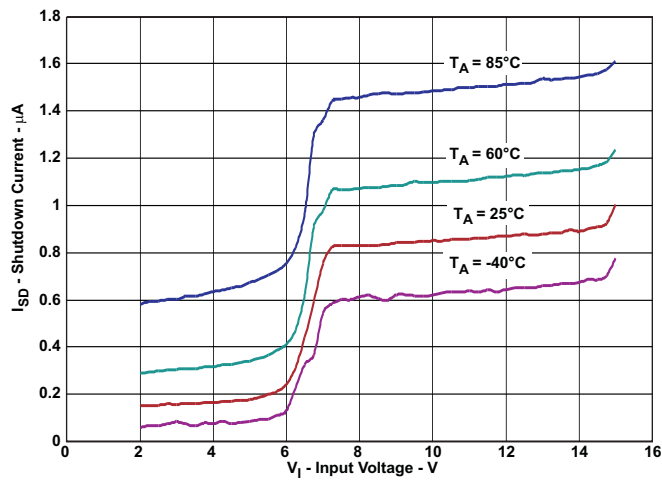


Figure 15.

SWITCH FREQUENCY
VS
OUTPUT CURRENT I_{OUT} ($V_{OUT} = 2.0V$)

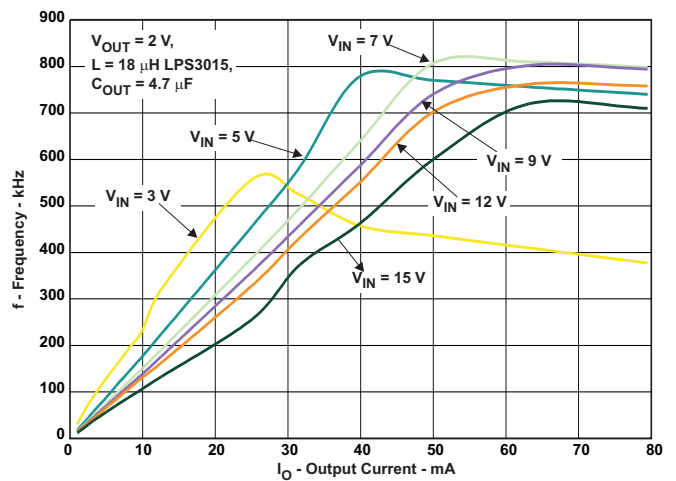


Figure 16.

TYPICAL CHARACTERISTICS (continued)

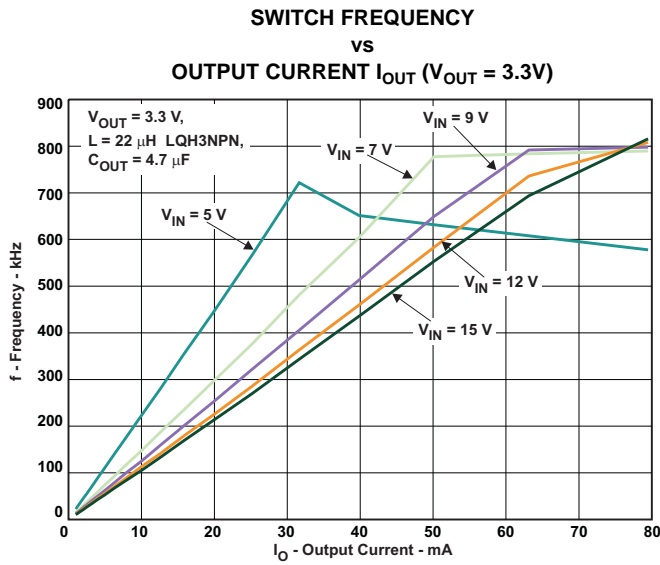


Figure 17.

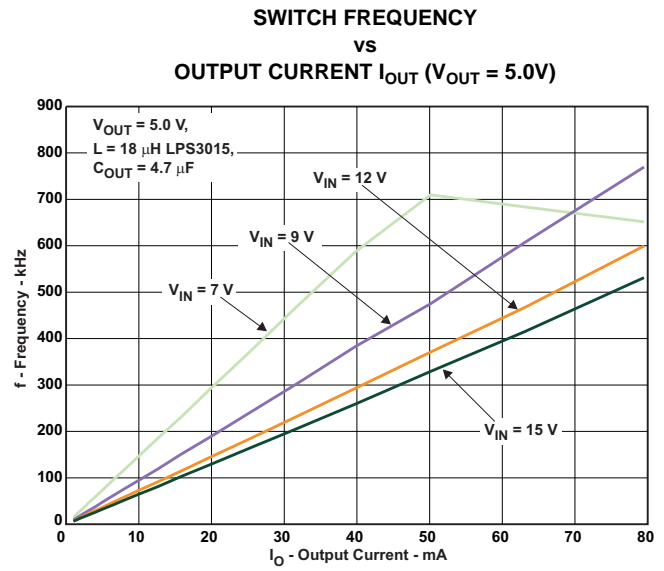


Figure 18.

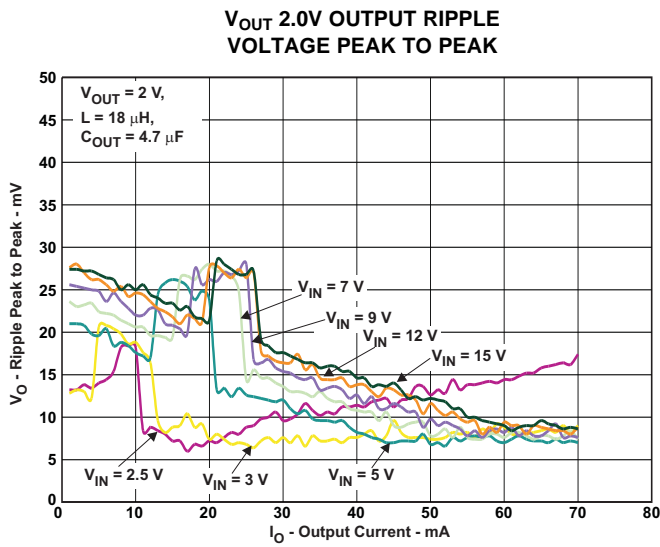


Figure 19.

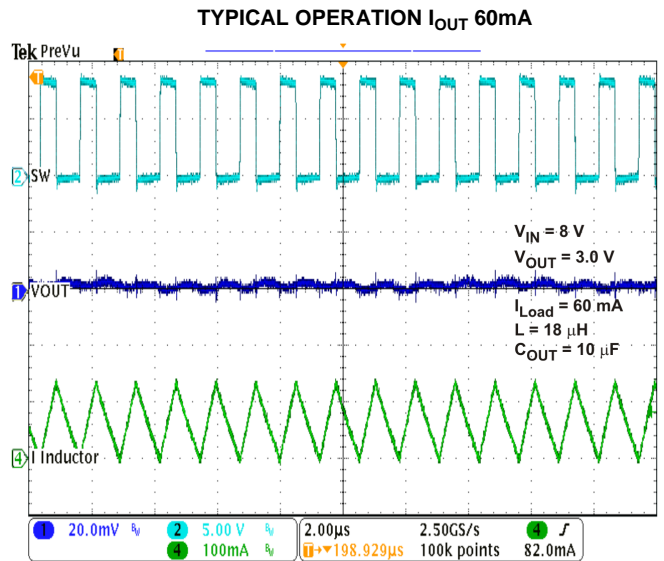


Figure 20.

TYPICAL CHARACTERISTICS (continued)

TYPICAL OPERATION I_{OUT} 10mA

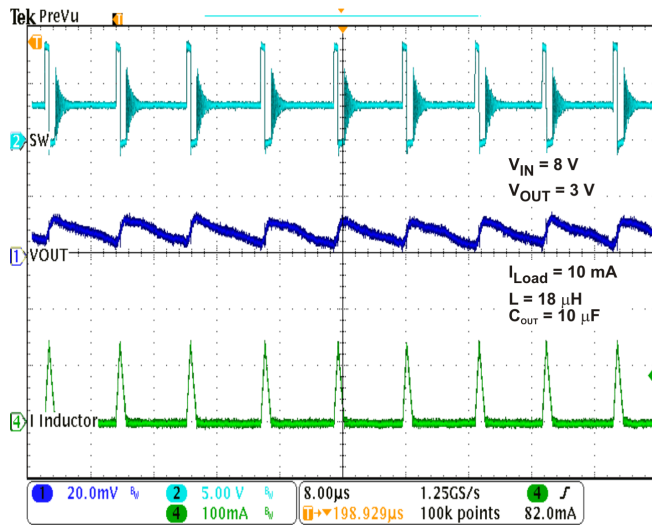


Figure 21.

LINE TRANSIENT RESPONSE FOR 3V OUTPUT VOLTAGE

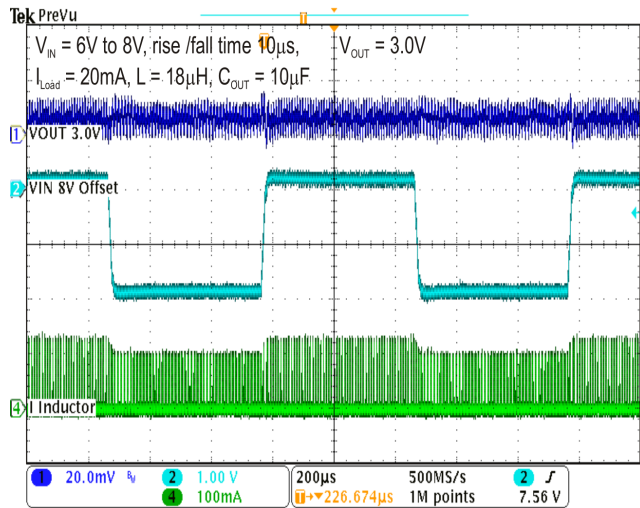


Figure 22.

LOAD TRANSIENT RESPONSE FOR 3V OUTPUT VOLTAGE

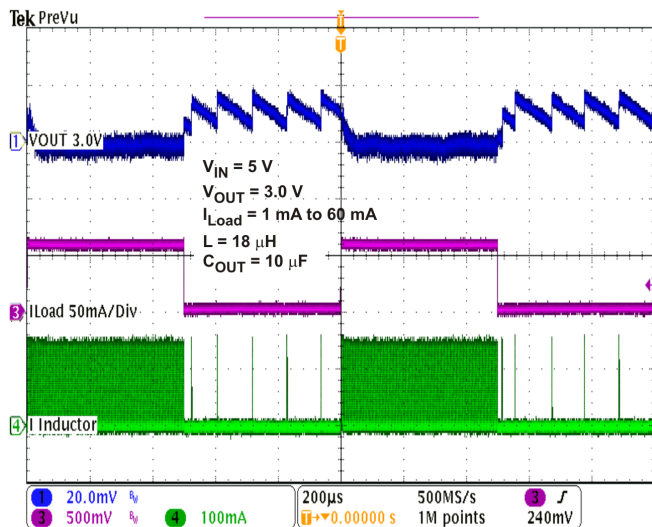


Figure 23.

AC LOAD REGULATION PERFORMANCE FOR 3V OUTPUT VOLTAGE

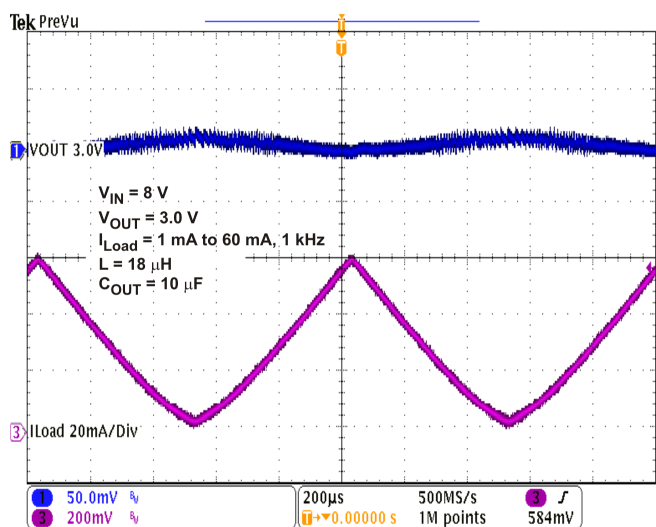


Figure 24.

TYPICAL CHARACTERISTICS (continued)

TPS62120 SPURIOUS OUTPUT NOISE
 $C_{OUT} = 4.7 \mu F$

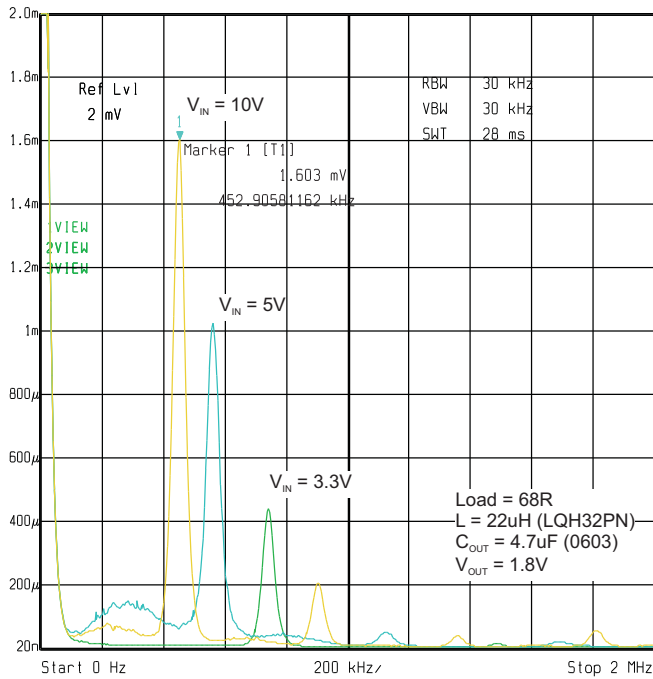


Figure 25.

TPS62120 SPURIOUS OUTPUT NOISE
 $C_{OUT} = 10 \mu F$

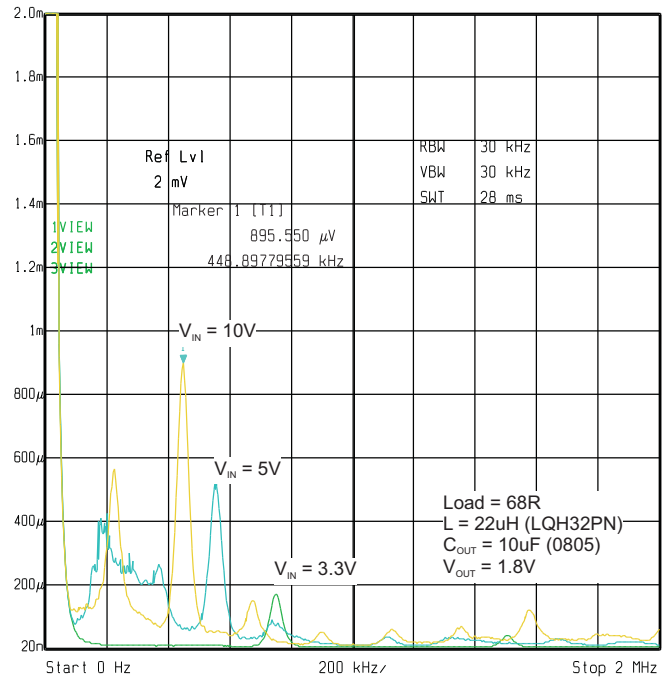


Figure 26.

AC LOAD REGULATION PERFORMANCE
FOR 1.8V OUTPUT VOLTAGE

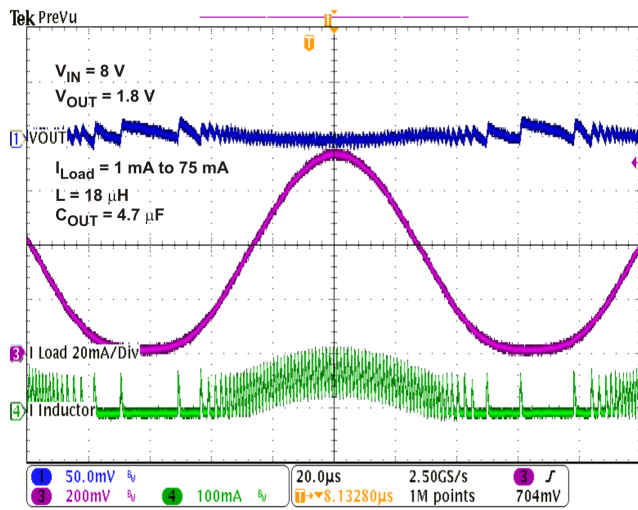


Figure 27.

OUTPUT DISCHARGE WITH SGND PIN
CONNECTED TO VOUT

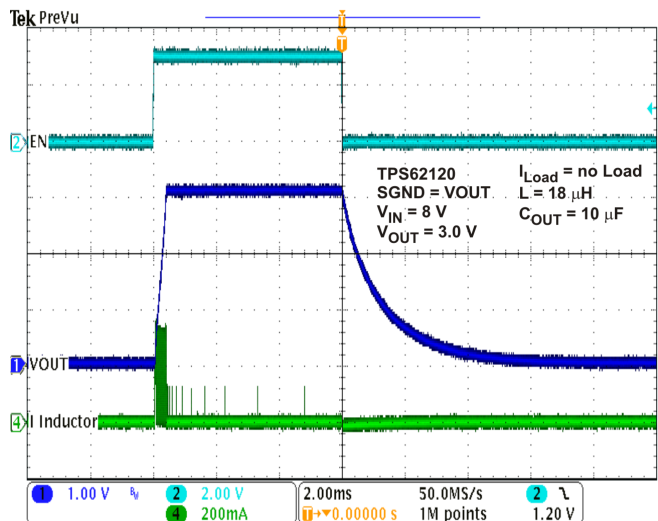


Figure 28.

TYPICAL CHARACTERISTICS (continued)

STARTUP VOUT = 3.0V

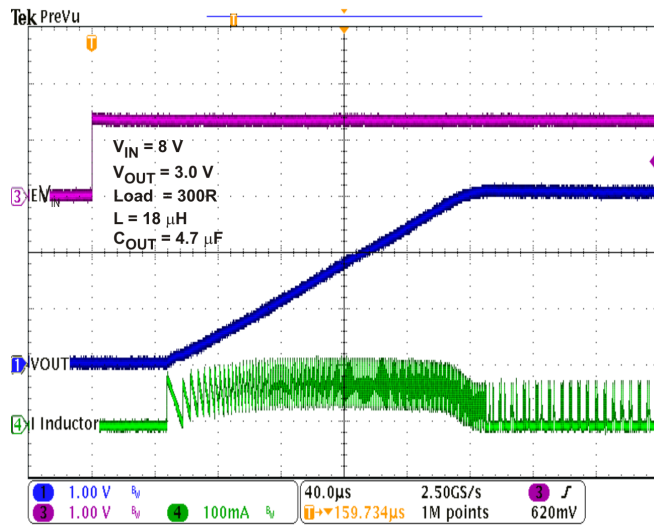


Figure 29.

POWER GOOD OUTPUT DURING STARTUP

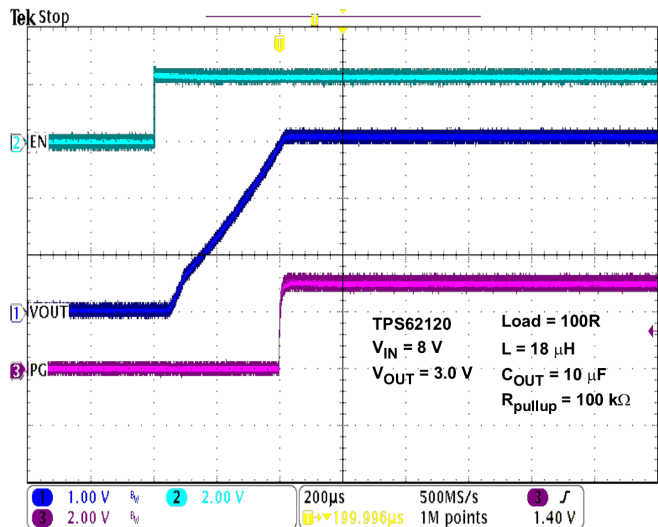


Figure 30.

STARTUP VOUT 1.8V

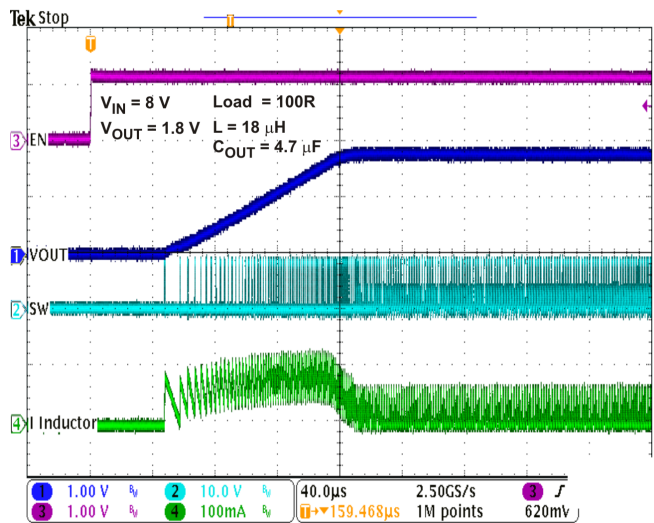


Figure 31.

OUTPUT OVERLOAD PROTECTION

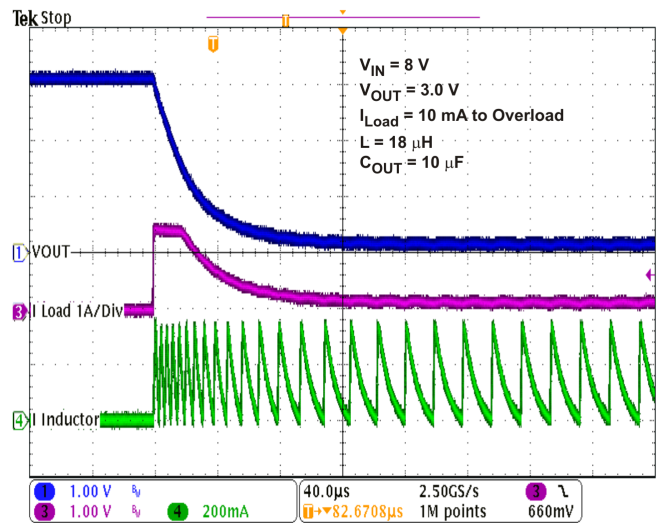


Figure 32.

TYPICAL CHARACTERISTICS (continued)

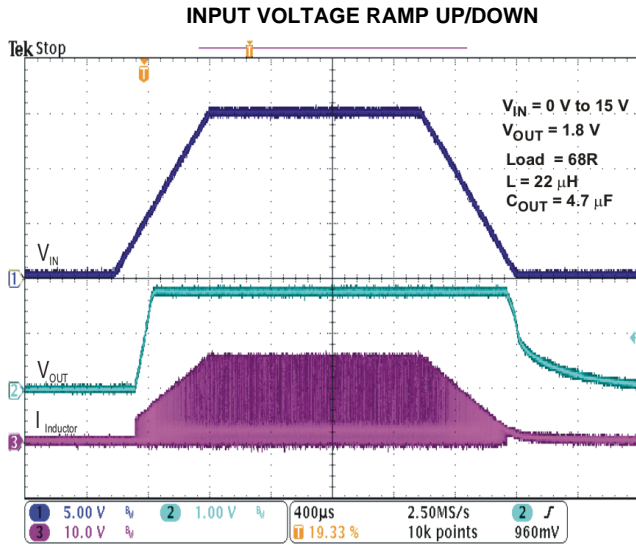


Figure 33.

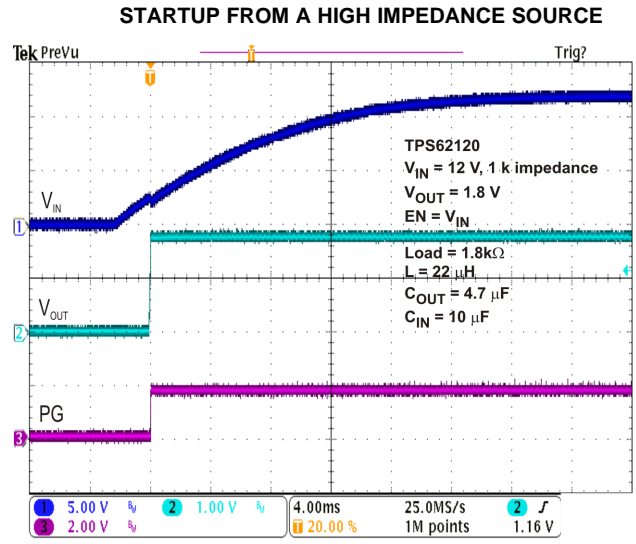


Figure 34.

DETAILED DESCRIPTION

OPERATION

The TPS6212x synchronous step down converter family uses an unique hysteretic PFM/PWM controller scheme which enables switching frequencies of up to 800kHz, excellent transient response and AC load regulation at operation with small output capacitors.

At high load currents the converter operates in quasi fixed frequency PWM mode operation and at light loads in PFM (Pulse Frequency Modulation) mode to maintain highest efficiency over the full load current range. In PFM Mode, the device generates a single switch pulse to ramp the inductor current and charge the output capacitor, followed by a sleep period where most of the internal circuits are shutdown to achieve a quiescent current of typically 10µA. During this time, the load current is supported by the output capacitor. The duration of the sleep period depends on the load current and the inductor peak current.

A significant advantage of TPS6212x compared to other hysteretic controller topologies is its excellent DC and AC load regulation capability in combination with low output voltage ripple over the entire load range which makes this part well suited for audio and RF applications.

Main Control Loop

The feedback comparator monitors the voltage on the FB pin and compares it to an internal 800mV reference voltage.

The feedback comparator trips once the FB voltage falls below the reference voltage. A switching pulse is initiated and the high-side MOSFET switch is turned on. It remains turned on at least for the minimum On Time T_{ONmin} of typical 700ns until the feedback voltage is above the reference voltage or the inductor current reaches the high-side MOSFET switch current limit I_{LIMF} . Once the high-side MOSFET switch turns off, the low-side MOSFET switch is turned on and the inductor current ramps down. It is turned on at least for the minimum Off Time T_{OFFmin} of typically 60ns. The low-side MOSFET switch stays turned on until the FB voltage falls below the internal reference and trips the FB comparator again. This will turn on the high-side MOSFET switch for a new switching cycle.

If the feedback voltage stays above the internal reference the low-side MOSFET switch is turned on until the zero current comparator trips and indicates that the inductor current has ramped down to zero. In this case, the load current is much lower than the average inductor current provided during one switching cycle. The regulator turns the low-side and high-side MOSFET switches off (high impedance state) and enters a sleep cycle with reduced quiescent current of typically 10uA until the output voltage falls below the internal reference voltage and the feedback comparator trips again. This is called PFM Mode and the switching frequency depends on the load current, input voltage, output voltage and the external inductor value.

Once the high-side switch current limit comparator has tripped its threshold of I_{LIMF} , the high-side MOSFET switch is turned off and the low-side MOSFET switch is turned on until the inductor current has ramped down to zero.

The minimum On Time T_{ONmin} for a single pulse can be estimated to:

$$T_{ON} = \frac{V_{OUT}}{V_{IN}} \times 1.3 \mu s \quad (1)$$

Therefore the peak inductor current in PFM mode is approximately:

$$I_{LPMpeak} = \frac{(V_{IN} - V_{OUT})}{L} \times T_{ON} \quad (2)$$

The transition from PFM mode to PWM mode operation and back occurs at a load current of approximately $\frac{1}{2} I_{LPMpeak}$.

With:

T_{ON} : high-side MOSFET switch on time [μs]

V_{IN} : Input voltage [V]

V_{OUT} : Output voltage [V]

L : Inductance [μH]

$I_{LPMpeak}$: PFM inductor peak current [mA]

The maximum switch frequency can be estimated to:

$$f_{\text{SWmax}} \approx \frac{1}{1.3 \mu\text{s}} = 770 \text{ kHz} \quad (3)$$

100% DUTY CYCLE LOW DROPOUT OPERATION

The device will increase the On Time of the high-side MOSFET switch once the input voltage comes close to the output voltage in order to keep the output voltage in regulation. This will reduce the switch frequency.

With further decreasing input voltage V_{IN} the high-side MOSFET switch is turned on completely. In this case the converter provides a low input-to-output voltage difference. This is particularly useful in applications with widely variable supply voltage to achieve longest operation time by taking full advantage of the whole supply voltage span.

The minimum input voltage to maintain regulation depends on the load current and output voltage, and can be calculated as:

$$V_{\text{in}_{\text{min}}} = V_{\text{out}_{\text{max}}} + I_{\text{out}_{\text{max}}} \times (R_{\text{DS(ON)max}} + R_{\text{L}}) \quad (4)$$

With:

I_{OUTmax} = maximum output current

$R_{\text{DS(ON)max}}$ = maximum P-channel switch $R_{\text{DS(ON)}}$.

R_{L} = DC resistance of the inductor

V_{OUTmax} = nominal output voltage plus maximum output voltage tolerance

UNDER-VOLTAGE LOCKOUT

The under-voltage lockout circuit prevents the device from misoperation at low input voltages. It prevents the converter from turning on the high-side MOSFET switch or low-side MOSFET under undefined conditions. The UVLO threshold is set to 2.5V typical for rising V_{IN} and 1.85V typical for falling V_{IN} . The hysteresis between rising and falling UVLO threshold ensures proper start up even with high impedance sources. Fully functional operation is permitted for an input voltage down to the falling UVLO threshold level. The converter starts operation again once the input voltage trips the rising UVLO threshold level.

SOFT START

The TPS6212X has an internal soft-start circuit which controls the ramp up of the output voltage and limits the inrush current during start-up. This limits input voltage drop when a battery or a high-impedance power source is connected to the input of the converter.

The soft-start system generates a monotonic ramp up of the output voltage with a ramp of typically 15mV/ μs and reaches an output voltage of 1.8V in typically 170 μs after EN pin was pulled high. TPS6212X is able to start into a pre biased output capacitor. The converter starts with the applied bias voltage and ramps the output voltage to its nominal value.

During start up the device can provide an output current of half of the high-side MOSFET switch current limit I_{LIMF} . Large output capacitors and high load currents may exceed the current capability of the device during start up. In this case the start up ramp of the output voltage will be slower.

ENABLE/SHUTDOWN

The device starts operation when EN pin is set high and the input voltage V_{IN} has tripped the under voltage lockout threshold UVLO for rising V_{IN} . It starts switching after the regulator start up time t_{start} of typically 50 μs has expired and enters the soft start as previously described. For proper operation, the EN pin must be terminated and must not be left floating.

EN pin low forces the device into shutdown, with a shutdown quiescent current of typically 0.3 μA .

In this mode, the high-side and low-side MOSFET switches as well as the entire internal-control circuitry are switched off.

In TPS62120 the internal N-MOSFET at pin SGND is activated and connects SGND to GND.

POWER GOOD OUTPUT

The Power Good Output is an open drain output available in TPS62120. The circuit is active once the device is enabled. It is driven by an internal comparator connected to the FB voltage and internal reference. The PG output provides a high level (open drain high impedance) once the feedback voltage exceeds typical 95% of its nominal value. The PG output is driven to low level once the feedback voltage falls below typ. 90% of its nominal value. The PG output is high (high impedance) with an internal delay of typically 2 μ s. A pullup resistor is needed to generate a high level and limit the current into the PG pin to 0.5mA. The PG pin can be connected via an pull up resistors to a voltage up to 5.5V

The PG output is pulled low if the device is enabled but the input voltage is below the undervoltage lockout threshold UVLO or the device is turned into shutdown mode.

SGND OPEN DRAIN OUTPUT

This is an NMOS open drain output with a typical $R_{DS(on)}$ of 370 Ω and can be used to discharge the output capacitor. The internal NMOS connects SGND pin to GND once the device is in shutdown mode or V_{IN} falls below the UVLO threshold during operation. SGND becomes high impedance once the device is enabled and V_{IN} is above the UVLO threshold. If SGND is connected to the output, the output capacitor is discharged through SGND.

SHORT-CIRCUIT PROTECTION

The TPS6212X integrates a high-side MOSFET switch current limit I_{LIMF} to protect the device against short circuit. The current in the high-side MOSFET switch is monitored by current limit comparator and once the current reaches the limit of I_{LIMF} , the high-side MOSFET switch is turned off and the low-side MOSFET switch is turned on to ramp down the inductor current. The high-side MOSFET switch is turned on again once the zero current comparator trips and the inductor current has become zero. In this case, the output current is limited to half of the high-side MOSFET switch current limit $\frac{1}{2} I_{LIMF}$.

THERMAL SHUTDOWN

As soon as the junction temperature, T_J , exceeds 150°C (typical) the device goes into thermal shutdown. In this mode, the high-side and low-side MOSFETs are turned-off. The device continues its operation when the junction temperature falls below the thermal shutdown hysteresis.

APPLICATION INFORMATION

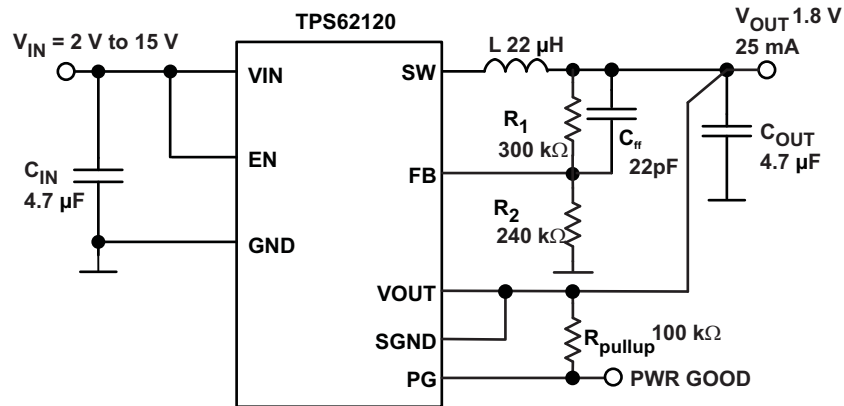


Figure 35. TPS62120 1.8V Output Voltage Configuration

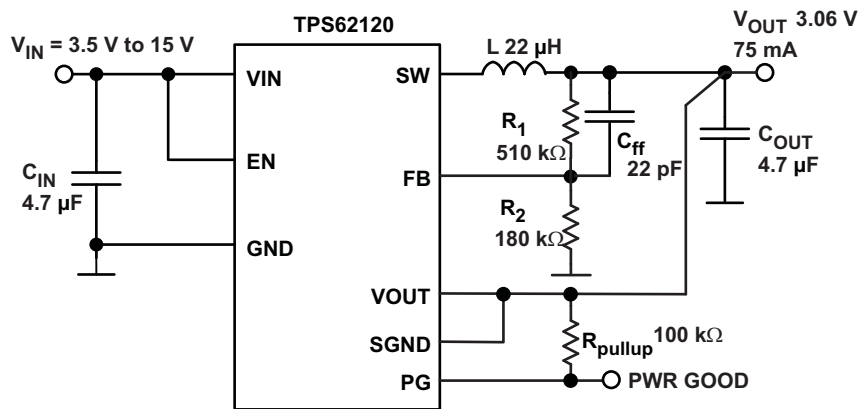


Figure 36. TPS62120 3.06V Output Voltage Configuration

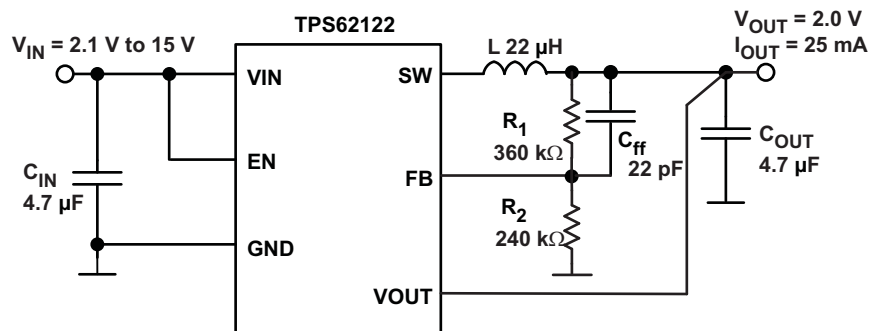


Figure 37. TPS62122 2.0V Output Voltage Configuration

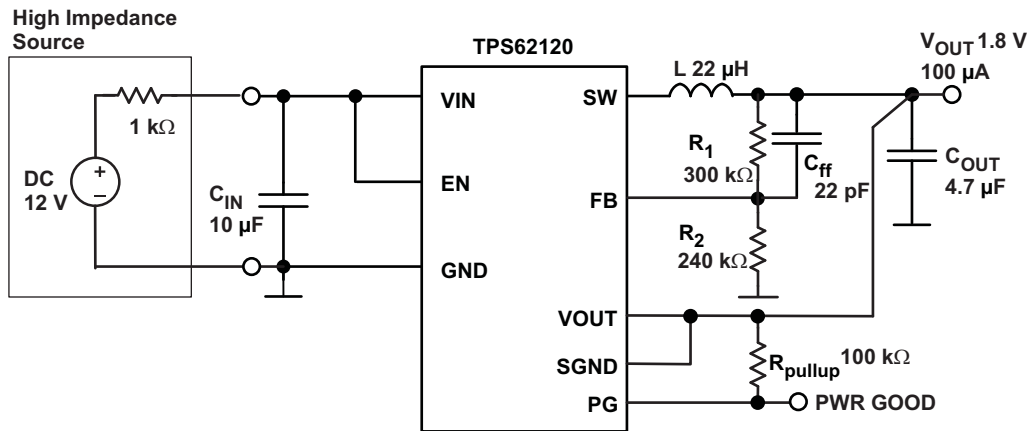


Figure 38. TPS62120 1.8V VOUT Configuration Powered from a High-Impedance Source

OUTPUT VOLTAGE SETTING

The output voltage can be calculated to:

$$V_{OUT} = V_{REF} \times \left(1 + \frac{R_1}{R_2}\right) \text{ with an internal reference voltage } V_{REF} \text{ typical } 0.8 \text{ V}$$

$$R_1 = \left(\frac{V_{OUT}}{V_{REF}} - 1\right) \times R_2 \quad (5)$$

To minimize the current through the feedback divider network, R_2 should be within the range of 82kΩ to 360k. The sum of R_1 and R_2 should not exceed ~1MΩ, to keep the network robust against noise. An external feed-forward capacitor C_{ff} is required for optimum regulation performance. R_1 and C_{ff} places a zero in the feedback loop.

$$f_z = \frac{1}{2 \times \pi \times R_1 \times C_{ff}} = 25 \text{ kHz} \quad (6)$$

The value for C_{ff} can be calculated as:

$$C_{ff} = \frac{1}{2 \times \pi \times R_1 \times 25 \text{ kHz}} \quad (7)$$

Table 1 shows a selection of suggested values for the feedback divider network for most common output voltages.

Table 1. Suggested Values for Feedback Divider Network

Voltage Setting [V]	3.06	3.29	2.00	1.80	1.20	5.00
R1 [kΩ]	510	560	360	300	180	430
R2 [kΩ]	180	180	240	240	360	82
Cff [pF]	15	22	22	22	27	15

OUTPUT FILTER DESIGN (INDUCTOR AND OUTPUT CAPACITOR)

The TPS6212X operates with effective inductance values in the range of 10μH to 33μH and with effective output capacitance in the range of 1μF to 33μF. The device is optimized to operate for an output filter of $L = 22\mu\text{H}$ and $C_{OUT} = 4.7\mu\text{F}$. Larger or smaller inductor/capacitor values can be used to optimize the performance of the device for specific operation conditions. For more details, see the CHECKING LOOP STABILITY section.

INDUCTOR SELECTION

The inductor value affects its peak-to-peak ripple current, the PWM-to-PFM transition point, the output voltage ripple and the efficiency. The selected inductor has to be rated for its DC resistance and saturation current. The inductor ripple current (ΔI_L) decreases with higher inductance and increases with higher V_{IN} or V_{OUT} and can be estimated according [Equation 8](#).

[Equation 9](#) calculates the maximum inductor current under static load conditions. The saturation current of the inductor should be rated higher than the maximum inductor current as calculated with [Equation 9](#). This is recommended because during heavy load transient the inductor current will rise above the calculated value. A more conservative way is to select the inductor saturation current according to the high-side MOSFET switch current limit I_{LIMF} .

$$\Delta I_L = \frac{(V_{IN} - V_{OUT})}{L} \times T_{ON} \quad (8)$$

$$I_{Lmax} = I_{outmax} + \frac{\Delta I_L}{2} \quad (9)$$

With:

T_{ON} = see equation (3)

L = Inductor Value

ΔI_L = Peak to Peak inductor ripple current

I_{Lmax} = Maximum Inductor current

In DC/DC converter applications, the efficiency is essentially affected by the inductor AC resistance (i.e. quality factor) and by the inductor DCR value. To achieve high efficiency operation, care should be taken in selecting inductors featuring a quality factor above 25 at the switching frequency. Increasing the inductor value produces lower RMS currents, but degrades transient response. For a given physical inductor size, increased inductance usually results in an inductor with lower saturation current.

The total losses of the coil consist of both the losses in the DC resistance $R_{(DC)}$ and the following frequency-dependent components:

- The losses in the core material (magnetic hysteresis loss, especially at high switching frequencies)
- Additional losses in the conductor from the skin effect (current displacement at high frequencies)
- Magnetic field losses of the neighboring windings (proximity effect)
- Radiation losses

The following inductor series from different suppliers have been used with the TPS6212X converters.

Table 2. List of Inductors

INDUCTANCE [μ H]	DIMENSIONS [mm^3]	INDUCTOR TYPE	SUPPLIER
22	3 × 3 × 1.5	LQH3NPN	Murata
18/22	3 × 3 × 1.5	LPS3015	Coilcraft

OUTPUT CAPACITOR SELECTION

The unique hysteretic PFM/PWM control scheme of the TPS6212x allows the use of ceramic capacitors. Ceramic capacitors with low ESR values have the lowest output voltage ripple and are recommended. The output capacitor requires either an X7R or X5R dielectric. Y5V and Z5U dielectric capacitors, aside from their wide variation in capacitance over temperature, become resistive at high frequencies.

At light load currents the converter operates in Power Save Mode and the output voltage ripple is dependent on the output capacitor value and the PFM peak inductor current. Higher output capacitor values minimize the voltage ripple in PFM Mode and tighten DC output accuracy in PFM Mode.

INPUT CAPACITOR SELECTION

Because of the nature of the buck converter having a pulsating input current, a low ESR input capacitor is required for best input voltage filtering and minimizing the interference with other circuits caused by high input voltage spikes. For most applications a 4.7 μ F to 10 μ F ceramic capacitor is recommended. The voltage rating and DC bias characteristic of ceramic capacitors need to be considered. The input capacitor can be increased without any limit for better input voltage filtering.

For specific applications like energy harvesting a tantalum or tantalum polymer capacitor can be used to achieve a specific DC/DC converter input capacitance. Tantalum capacitors provide much better DC bias performance compared to ceramic capacitors. In this case a 1 μ F or 2.2 μ F ceramic capacitor should be used in parallel to provide low ESR.

Take care when using only small ceramic input capacitors. When a ceramic capacitor is used at the input and the power is being supplied through long wires, such as from a wall adapter, a load step at the output or V_{IN} step on the input can induce large ringing at the VIN pin. This ringing can couple to the output and be mistaken as loop instability or could even damage the part by exceeding the maximum ratings.

Table 3 shows a list of input/output capacitors.

Table 3. List of Capacitor

CAPACITANCE [μ F]	SIZE	CAPACITOR TYPE	USAGE	SUPPLIER
4.7	0603	GRM188 series 6.3V X5R	C_{OUT}	Murata
2.2	0603	GRM188 series 6.3V X5R	C_{OUT}	Murata
4.7	0805	GRM21Bseries 25V X5R	C_{IN}	Murata
10	0805	GRM21Bseries 16V X5R	C_{IN}	Murata
8.2	B2(3.5 × 2.8 × 1.9)	20TQC8R2M (20V)	C_{IN}	Sanyo

CHECKING LOOP STABILITY

The first step of circuit and stability evaluation is to look from a steady-state perspective at the following signals:

- Switching node, SW
- Inductor current, I_L
- Output ripple voltage, $V_{O(AC)}$

These are the basic signals that need to be measured when evaluating a switching converter. When the switching waveform shows large duty cycle jitter or the output voltage or inductor current shows oscillations, the regulation loop may be unstable. This is often a result of board layout and/or L-C combination.

As a next step in the evaluation of the regulation loop, the load transient response is tested. During application of the load transient and the turn on of the high-side MOSFET switch, the output capacitor must supply all of the current required by the load. V_{OUT} immediately shifts by an amount equal to $\Delta I_{(LOAD)} \times ESR$, where ESR is the effective series resistance of C_{OUT} . $\Delta I_{(LOAD)}$ begins to charge or discharge C_{OUT} generating a feedback error signal used by the regulator to return V_{OUT} to its steady-state value. The results are most easily interpreted when the device operates in PWM mode.

During this recovery time, V_{OUT} can be monitored for settling time, overshoot or ringing that helps judge the converter's stability. Without any ringing, the loop has usually more than 45° of phase margin. Because the damping factor of the circuitry is directly related to several resistive parameters (e.g., MOSFET $R_{DS(on)}$) which are temperature dependent, the loop stability analysis should be done over the input voltage range, load current range, and temperature range

LAYOUT CONSIDERATIONS

As for all switching power supplies, the layout is an important step in the design. Proper function of the device demands careful attention to PCB layout. Care must be taken in board layout to get the specified performance. If the layout is not carefully done, the regulator could show poor line and/or load regulation, stability issues as well as EMI problems. It is critical to provide a low inductance, impedance ground path. Therefore, use wide and short traces for the main current paths. The input capacitor should be placed as close as possible to the IC pins as well as the inductor and output capacitor.

Use a common Power GND node and a different node for the signal GND to minimize the effects of ground noise. Keep the common path to the GND PIN, which returns the small signal components and the high current of the output capacitors as short as possible to avoid ground noise. The FB divider network and the VOUT line must be connected to the output capacitor. The VOUT pin of the converter should be connected via a short trace to the output capacitor. The FB line must be routed away from noisy components and traces (e.g., SW line).

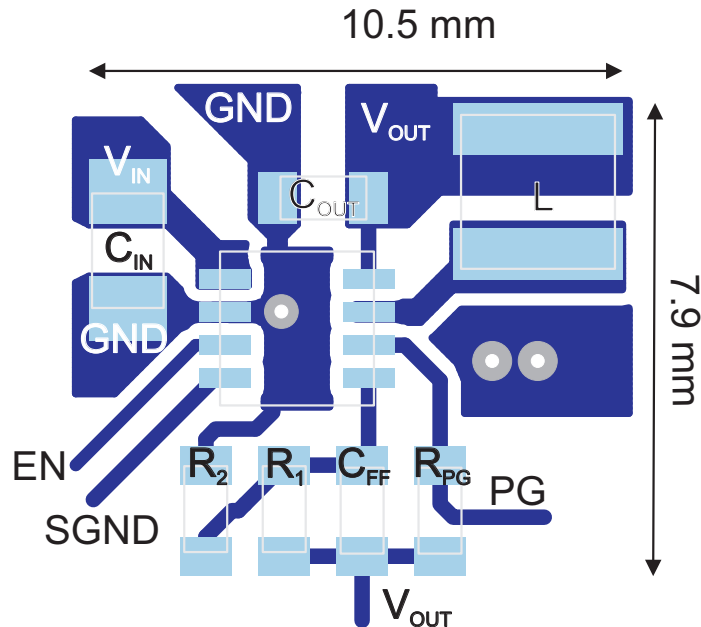


Figure 39. PCB Layout - DCN Package

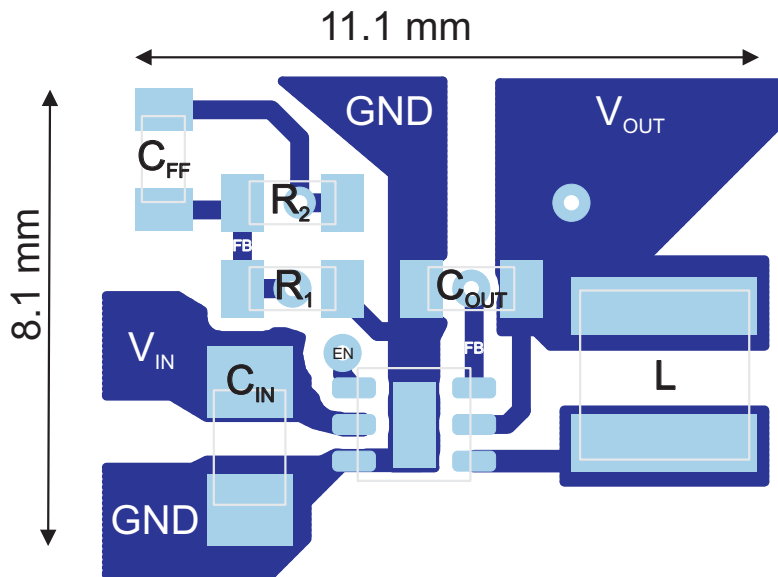


Figure 40. PCB Layout - DRV Package



www.ti.com

PACKAG

PACKAGING INFORMATION

Orderable Device	Status ⁽¹⁾	Package Type	Package Drawing	Pins	Package Qty	Eco Plan ⁽²⁾	Lead/Ball Finish	MSL Peak Temp
TPS62120DCNR	ACTIVE	SOT-23	DCN	8	3000	Green (RoHS & no Sb/Br)	CU NIPDAU	Level-1-2600
TPS62120DCNT	ACTIVE	SOT-23	DCN	8	250	Green (RoHS & no Sb/Br)	CU NIPDAU	Level-1-2600
TPS62122DRVR	ACTIVE	SON	DRV	6	3000	Green (RoHS & no Sb/Br)	CU NIPDAU	Level-2-2600
TPS62122DRVT	ACTIVE	SON	DRV	6	250	Green (RoHS & no Sb/Br)	CU NIPDAU	Level-2-2600

⁽¹⁾ The marketing status values are defined as follows:

ACTIVE: Product device recommended for new designs.

LIFEBUY: TI has announced that the device will be discontinued, and a lifetime-buy period is in effect.

NRND: Not recommended for new designs. Device is in production to support existing customers, but TI does not recommend using this part in a new design.

PREVIEW: Device has been announced but is not in production. Samples may or may not be available.

OBSOLETE: TI has discontinued the production of the device.

⁽²⁾ Eco Plan - The planned eco-friendly classification: Pb-Free (RoHS), Pb-Free (RoHS Exempt), or Green (RoHS & no Sb/Br) - please check <http://www.ti.com> for more information and additional product content details.

TBD: The Pb-Free/Green conversion plan has not been defined.

Pb-Free (RoHS): TI's terms "Lead-Free" or "Pb-Free" mean semiconductor products that are compatible with the current RoHS requirements for all lead-based materials. Where designed to be soldered at high temperatures, TI Pb-Free products are suitable for use in applications that require high temperature soldering processes (i.e., wave soldering and reflow soldering).

Pb-Free (RoHS Exempt): This component has a RoHS exemption for either 1) lead-based flip-chip solder bumps used between the die and package, or 2) lead-based die attach between the die and leadframe. The component is otherwise considered Pb-Free (RoHS compatible) as defined above.

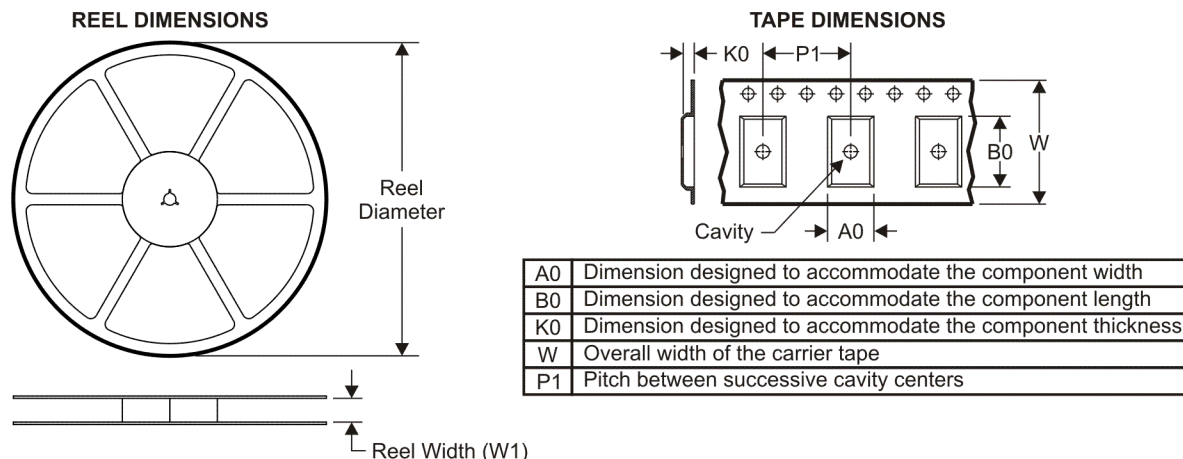
Green (RoHS & no Sb/Br): TI defines "Green" to mean Pb-Free (RoHS compatible), and free of Bromine (Br) and Antimony (Sb) based flame retardants (i.e., all RoHS compliant material except for flame retardants in homogeneous material).

⁽³⁾ MSL, Peak Temp. -- The Moisture Sensitivity Level rating according to the JEDEC industry standard classifications, and peak solder temperature.

Important Information and Disclaimer: The information provided on this page represents TI's knowledge and belief as of the date that it is provided. TI does not warrant the accuracy, reliability, or completeness of the information provided by third parties, and makes no representation or warranty as to the accuracy of such information. Efforts are underway to better integrate information from third parties and TI continues to take reasonable steps to provide representative and accurate information but may not have conducted destructive testing or chemical analysis on all TI and TI suppliers consider certain information to be proprietary, and thus CAS numbers and other limited information may not be available for release. TI and TI suppliers consider certain information to be proprietary, and thus CAS numbers and other limited information may not be available for release.

In no event shall TI's liability arising out of such information exceed the total purchase price of the TI part(s) at issue in this document sold by TI to Customer.

TAPE AND REEL INFORMATION



QUADRANT ASSIGNMENTS FOR PIN 1 ORIENTATION IN TAPE



*All dimensions are nominal

Device	Package Type	Package Drawing	Pins	SPQ	Reel Diameter (mm)	Reel Width W1 (mm)	A0 (mm)	B0 (mm)	K0 (mm)	P1 (mm)	W (mm)	Pin1 Quadrant
TPS62120DCNR	SOT-23	DCN	8	3000	180.0	8.4	3.23	3.17	1.37	4.0	8.0	Q3
TPS62120DCNT	SOT-23	DCN	8	250	180.0	8.4	3.23	3.17	1.37	4.0	8.0	Q3
TPS62122DRVT	SON	DRV	6	250	179.0	8.4	2.2	2.2	1.2	4.0	8.0	Q2

TAPE AND REEL BOX DIMENSIONS

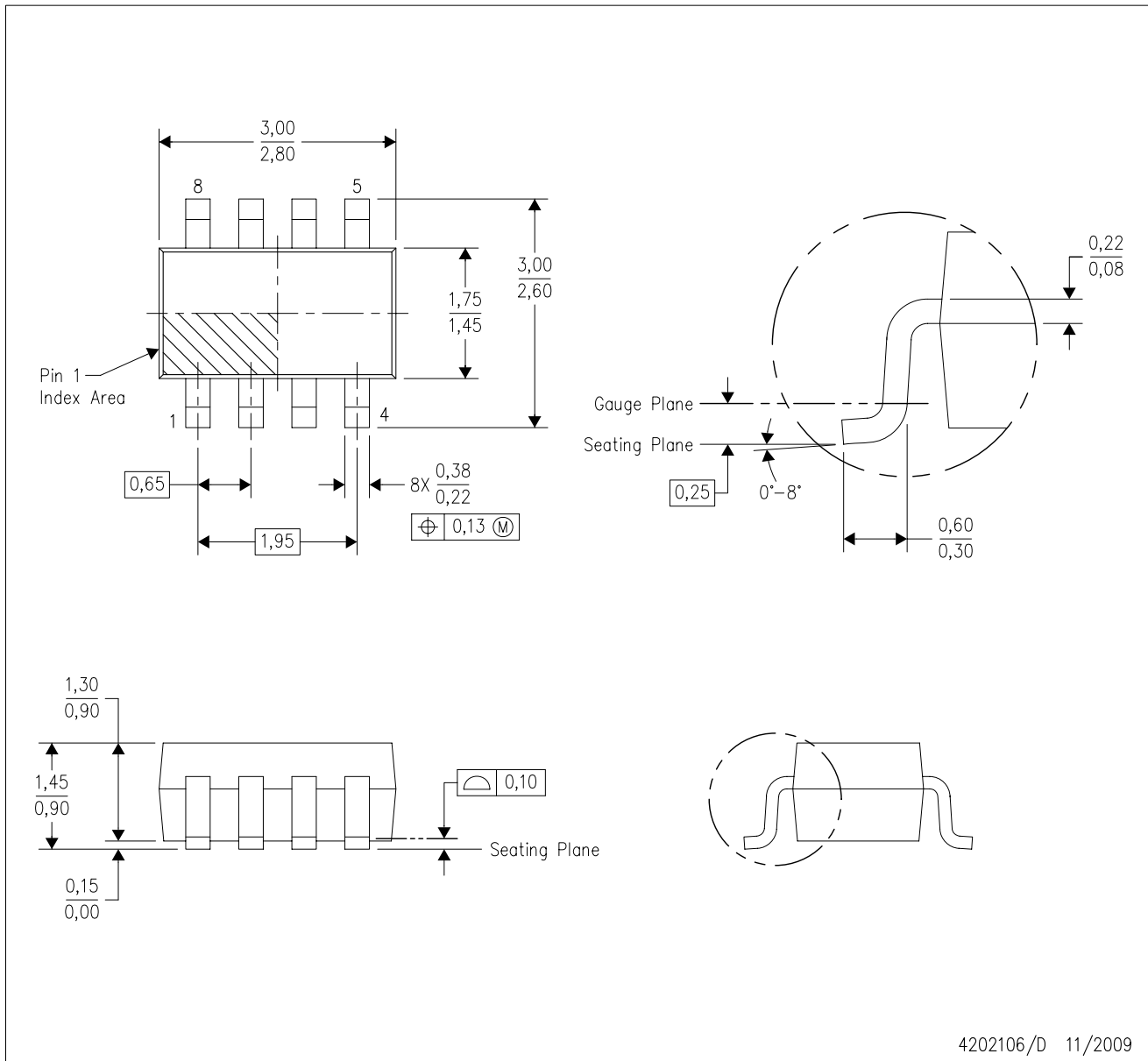


*All dimensions are nominal

Device	Package Type	Package Drawing	Pins	SPQ	Length (mm)	Width (mm)	Height (mm)
TPS62120DCNR	SOT-23	DCN	8	3000	202.0	201.0	28.0
TPS62120DCNT	SOT-23	DCN	8	250	202.0	201.0	28.0
TPS62122DRVT	SON	DRV	6	250	203.0	203.0	35.0

DCN (R-PDSO-G8)

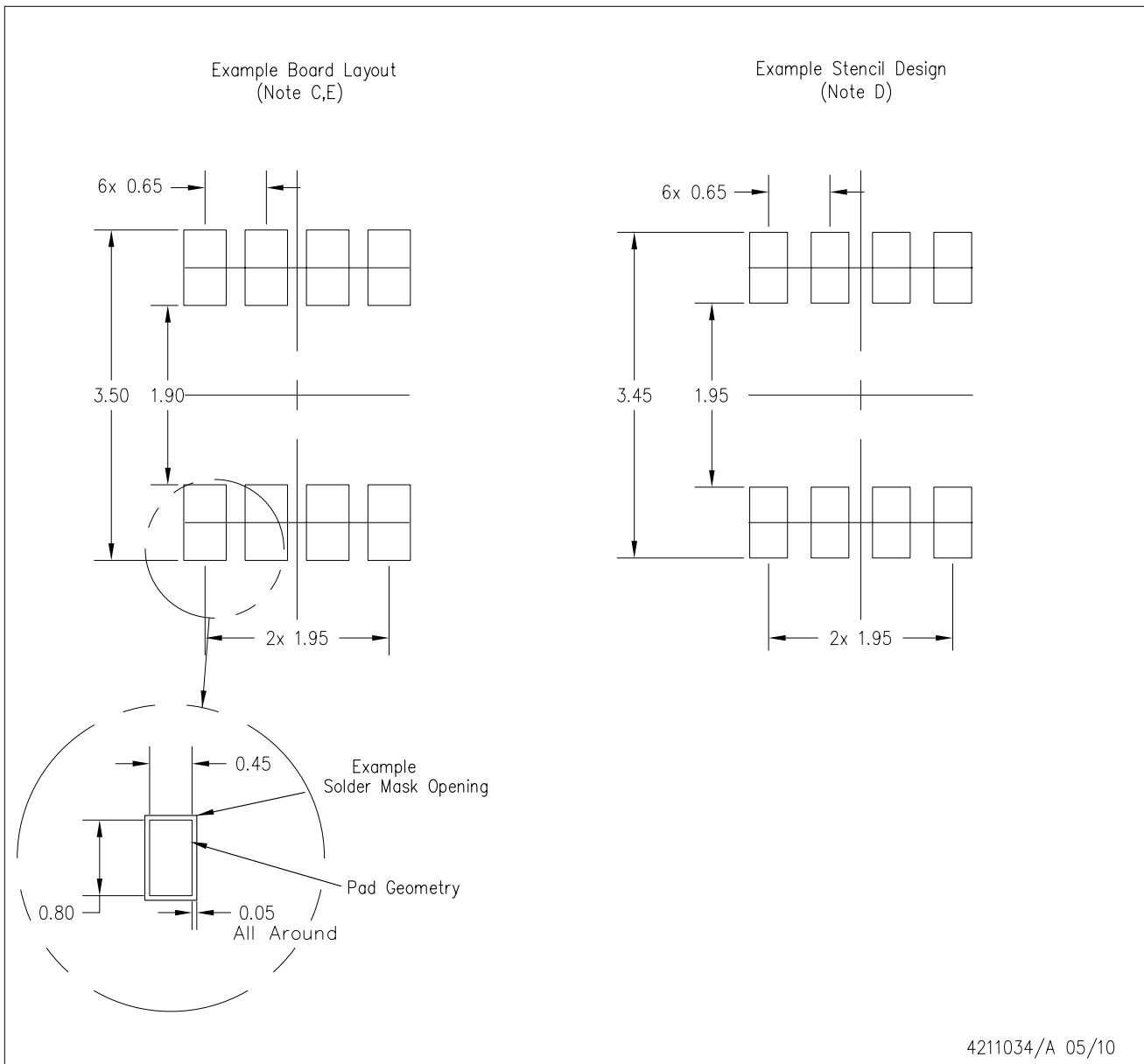
PLASTIC SMALL-OUTLINE PACKAGE (DIE DOWN)



- NOTES:
- A. All linear dimensions are in millimeters.
 - B. This drawing is subject to change without notice.
 - C. Package outline exclusive of metal burr & dambar protrusion/intrusion.
 - D. Package outline inclusive of solder plating.
 - E. A visual index feature must be located within the Pin 1 index area.
 - F. Falls within JEDEC MO-178 Variation BA.
 - G. Body dimensions do not include flash or protrusion. Mold flash and protrusion shall not exceed 0.25 per side.

DCN (R-PDSO-G8)

PLASTIC SMALL-OUTLINE PACKAGE (DIE DOWN)

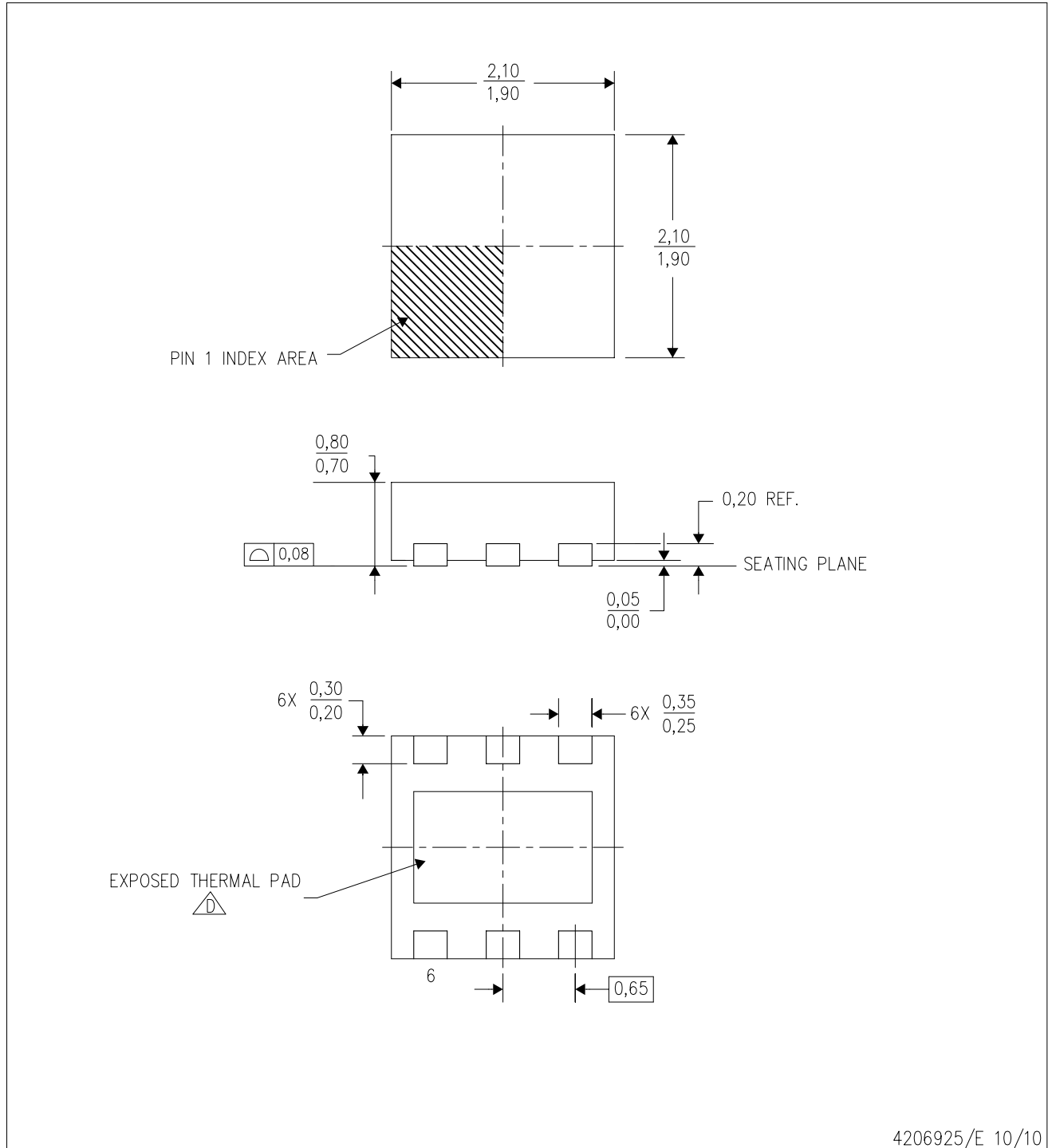


4211034/A 05/10


- NOTES:
- A. All linear dimensions are in millimeters.
 - B. This drawing is subject to change without notice.
 - C. Publication IPC-7351 is recommended for alternate designs.
 - D. Laser cutting apertures with trapezoidal walls and also rounding corners will offer better paste release. Customers should contact their board assembly site for stencil design recommendations. Refer to IPC-7525.
 - E. Customers should contact their board fabrication site for solder mask tolerances between and around signal pads.

DRV (S-PWSON-N6)

PLASTIC SMALL OUTLINE NO-LEAD



4206925/E 10/10

- NOTES:
- A. All linear dimensions are in millimeters. Dimensioning and tolerancing per ASME Y14.5M-1994.
 - B. This drawing is subject to change without notice.
 - C. Small Outline No-Lead (SON) package configuration.
 -  D. The package thermal pad must be soldered to the board for thermal and mechanical performance. See the Product Data Sheet for details regarding the exposed thermal pad dimensions.

DRV (S-PWSON-N6)

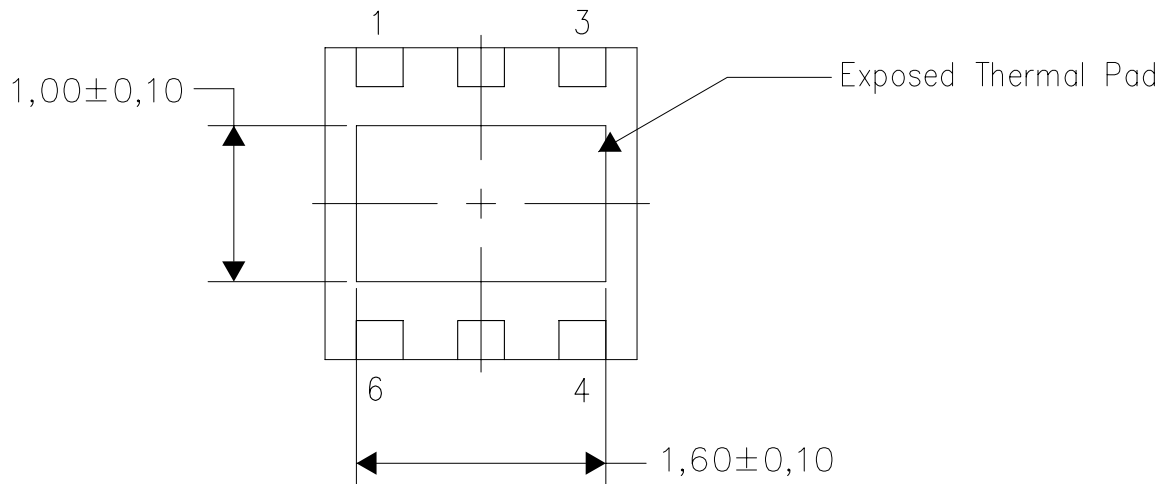
PLASTIC SMALL OUTLINE NO-LEAD

THERMAL INFORMATION

This package incorporates an exposed thermal pad that is designed to be attached directly to an external heatsink. The thermal pad must be soldered directly to the printed circuit board (PCB). After soldering, the PCB can be used as a heatsink. In addition, through the use of thermal vias, the thermal pad can be attached directly to the appropriate copper plane shown in the electrical schematic for the device, or alternatively, can be attached to a special heatsink structure designed into the PCB. This design optimizes the heat transfer from the integrated circuit (IC).

For information on the Quad Flatpack No-Lead (QFN) package and its advantages, refer to Application Report, QFN/SON PCB Attachment, Texas Instruments Literature No. SLUA271. This document is available at www.ti.com.

The exposed thermal pad dimensions for this package are shown in the following illustration.



Bottom View

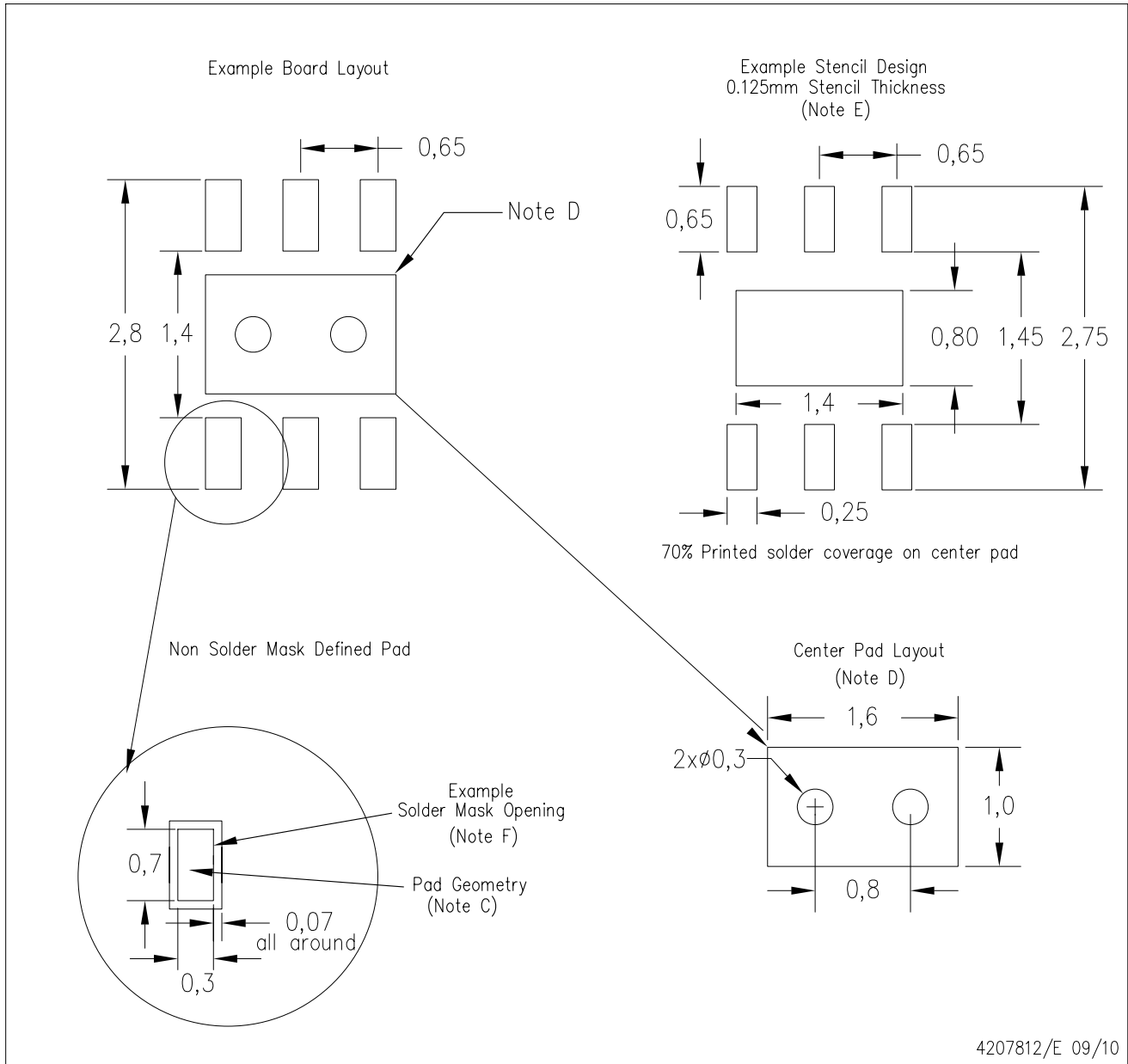
Exposed Thermal Pad Dimensions

4206926/J 09/10

NOTE: A. All linear dimensions are in millimeters

DRV (S-PWSON-N6)

PLASTIC SMALL OUTLINE NO-LEAD



- NOTES:
- A. All linear dimensions are in millimeters.
 - B. This drawing is subject to change without notice.
 - C. Publication IPC-7351 is recommended for alternate designs.
 - D. This package is designed to be soldered to a thermal pad on the board. Refer to Application Note, QFN/SON PCB Attachment, Texas Instruments Literature No. SLUA271, and also the Product Data Sheets for specific thermal information, via requirements, and recommended board layout. These documents are available at www.ti.com <<http://www.ti.com>>.
 - E. Laser cutting apertures with trapezoidal walls and also rounding corners will offer better paste release. Customers should contact their board assembly site for stencil design recommendations. Refer to IPC 7525 for stencil design considerations.
 - F. Customers should contact their board fabrication site for solder mask tolerances.

IMPORTANT NOTICE

Texas Instruments Incorporated and its subsidiaries (TI) reserve the right to make corrections, modifications, enhancements, improvements, and other changes to its products and services at any time and to discontinue any product or service without notice. Customers should obtain the latest relevant information before placing orders and should verify that such information is current and complete. All products are sold subject to TI's terms and conditions of sale supplied at the time of order acknowledgment.

TI warrants performance of its hardware products to the specifications applicable at the time of sale in accordance with TI's standard warranty. Testing and other quality control techniques are used to the extent TI deems necessary to support this warranty. Except where mandated by government requirements, testing of all parameters of each product is not necessarily performed.

TI assumes no liability for applications assistance or customer product design. Customers are responsible for their products and applications using TI components. To minimize the risks associated with customer products and applications, customers should provide adequate design and operating safeguards.

TI does not warrant or represent that any license, either express or implied, is granted under any TI patent right, copyright, mask work right, or other TI intellectual property right relating to any combination, machine, or process in which TI products or services are used. Information published by TI regarding third-party products or services does not constitute a license from TI to use such products or services or a warranty or endorsement thereof. Use of such information may require a license from a third party under the patents or other intellectual property of the third party, or a license from TI under the patents or other intellectual property of TI.

Reproduction of TI information in TI data books or data sheets is permissible only if reproduction is without alteration and is accompanied by all associated warranties, conditions, limitations, and notices. Reproduction of this information with alteration is an unfair and deceptive business practice. TI is not responsible or liable for such altered documentation. Information of third parties may be subject to additional restrictions.

Resale of TI products or services with statements different from or beyond the parameters stated by TI for that product or service voids all express and any implied warranties for the associated TI product or service and is an unfair and deceptive business practice. TI is not responsible or liable for any such statements.

TI products are not authorized for use in safety-critical applications (such as life support) where a failure of the TI product would reasonably be expected to cause severe personal injury or death, unless officers of the parties have executed an agreement specifically governing such use. Buyers represent that they have all necessary expertise in the safety and regulatory ramifications of their applications, and acknowledge and agree that they are solely responsible for all legal, regulatory and safety-related requirements concerning their products and any use of TI products in such safety-critical applications, notwithstanding any applications-related information or support that may be provided by TI. Further, Buyers must fully indemnify TI and its representatives against any damages arising out of the use of TI products in such safety-critical applications.

TI products are neither designed nor intended for use in military/aerospace applications or environments unless the TI products are specifically designated by TI as military-grade or "enhanced plastic." Only products designated by TI as military-grade meet military specifications. Buyers acknowledge and agree that any such use of TI products which TI has not designated as military-grade is solely at the Buyer's risk, and that they are solely responsible for compliance with all legal and regulatory requirements in connection with such use.

TI products are neither designed nor intended for use in automotive applications or environments unless the specific TI products are designated by TI as compliant with ISO/TS 16949 requirements. Buyers acknowledge and agree that, if they use any non-designated products in automotive applications, TI will not be responsible for any failure to meet such requirements.

Following are URLs where you can obtain information on other Texas Instruments products and application solutions:

Products		Applications	
Amplifiers	amplifier.ti.com	Audio	www.ti.com/audio
Data Converters	dataconverter.ti.com	Automotive	www.ti.com/automotive
DLP® Products	www.dlp.com	Communications and Telecom	www.ti.com/communications
DSP	dsp.ti.com	Computers and Peripherals	www.ti.com/computers
Clocks and Timers	www.ti.com/clocks	Consumer Electronics	www.ti.com/consumer-apps
Interface	interface.ti.com	Energy	www.ti.com/energy
Logic	logic.ti.com	Industrial	www.ti.com/industrial
Power Mgmt	power.ti.com	Medical	www.ti.com/medical
Microcontrollers	microcontroller.ti.com	Security	www.ti.com/security
RFID	www.ti-rfid.com	Space, Avionics & Defense	www.ti.com/space-avionics-defense
RF/IF and ZigBee® Solutions	www.ti.com/lprf	Video and Imaging	www.ti.com/video
		Wireless	www.ti.com/wireless-apps