



查询"LM125H"供应商

LM125/LM325/LM325A, LM126/LM326 Voltage Regulators

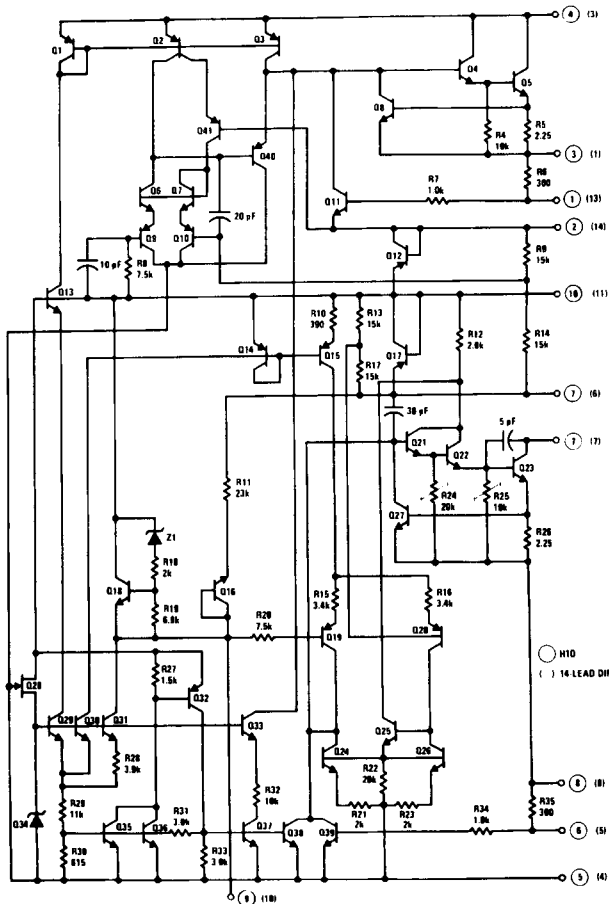
General Description

These are dual polarity tracking regulators designed to provide balanced positive and negative output voltages at current up to 100 mA, the devices are set for $\pm 15V$ and $\pm 12V$ outputs respectively. Input voltages up to $\pm 30V$ can be used and there is provision for adjustable current limiting. These devices are available in two package types to accommodate various power requirements and temperature ranges.

Features

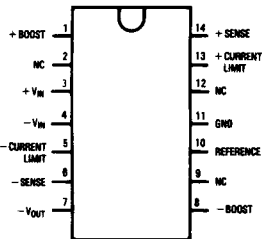
- $\pm 15V$ and $\pm 12V$ tracking outputs
- Output current to 100 mA
- Output voltage balanced to within 1% (LM125, LM126, LM325A)
- Line and load regulation of 0.06%
- Internal thermal overload protection
- Standby current drain of 3 mA
- Externally adjustable current limit
- Internal current limit

Schematic and Connection Diagrams



TL/H/7776-1

Dual-In-Line Package

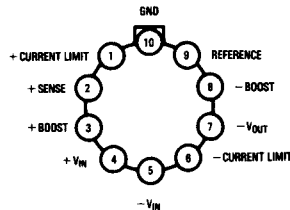


TL/H/7776-2

Top View

Order Number LM325AN,
LM325N or LM326N
See NS Package Number N14A

Metal Can Package



Case connected to $-V_{IN}$ TL/H/7776-3

Top View

Order Number LM125H,
LM325H, LM126H or LM326H
See NS Package Number H10C

Absolute Maximum Ratings

If Military/Aerospace specified devices are required, please contact the National Semiconductor Sales Office/Distributors for availability and specifications.

(Note 5)

| | |
|--|------------|
| Input Voltage | ±30V |
| Forced V_{O+} (Min) (Note 1) | -0.5V |
| Forced V_{O-} (Max) (Note 1) | +0.5V |
| Power Dissipation (Note 2) | P_{MAX} |
| Output Short-Circuit Duration (Note 3) | Continuous |

Operating Conditions

| | |
|---------------------------------------|-----------------|
| Operating Free Temperature Range | |
| LM125 | -55°C to +125°C |
| LM325, LM325A | 0°C to +70°C |
| Storage Temperature Range | -65°C to +150°C |
| Lead Temperature (Soldering, 10 sec.) | 300°C |

Electrical Characteristics LM125/LM325/LM325A (Note 2)

| Parameter | Conditions | Min | Typ | Max | Units |
|---|--|----------------|------------|----------------|--------------------|
| Output Voltage LM125/LM325A LM325 | $T_j = 25^\circ\text{C}$ | 14.8 14.5 | 15 15 | 15.2 15.5 | V V |
| Input-Output Differential | | 2.0 | | | V |
| Line Regulation | $V_{IN} = 18\text{V to }30\text{V}$, $I_L = 20\text{ mA}$, $T_j = 25^\circ\text{C}$ | | 2.0 | 10 | mV |
| Line Regulation Over Temperature Range | $V_{IN} = 18\text{V to }30\text{V}$, $I_L = 20\text{ mA}$, | | 2.0 | 20 | mV |
| Load Regulation V_{O+} V_{O-} | $I_L = 0\text{ to }50\text{ mA}$, $V_{IN} = \pm 30\text{V}$, $T_j = 25^\circ\text{C}$ | | 3.0 5.0 | 10 10 | mV mV |
| Load Regulation Over Temperature Range V_{O+} V_{O-} | $I_L = 0\text{ to }50\text{ mA}$, $V_{IN} = \pm 30\text{V}$ | | 4.0 7.0 | 20 20 | mV mV |
| Output Voltage Balance LM125, LM325A LM325 | $T_j = 25^\circ\text{C}$ | | | ±150 ±300 | mV mV |
| Output Voltage Over Temperature Range LM125, LM325A LM325 | $P \leq P_{MAX}$, $0 \leq I_O \leq 50\text{ mA}$, $18\text{V} \leq V_{IN} \leq 30$ | 14.65 14.27 | | 15.35 15.73 | V V |
| Temperature Stability of V_O | | | ±0.3 | | % |
| Short Circuit Current Limit | $T_j = 25^\circ\text{C}$ | | 260 | | mA |
| Output Noise Voltage | $T_j = 25^\circ\text{C}$, BW = 100 – 10 kHz | | 150 | | μVrms |
| Positive Standby Current | $T_j = 25^\circ\text{C}$ | | 1.75 | 3.0 | mA |
| Negative Standby Current | $T_j = 25^\circ\text{C}$ | | 3.1 | 5.0 | mA |
| Long Term Stability | | | 0.2 | | %/kHr |
| Thermal Resistance Junction to Case (Note 4) | | | | | |
| LM125H, LM325H | | | 20 | | $^\circ\text{C/W}$ |
| Junction to Ambient | (Still Air) | | 215 | | $^\circ\text{C/W}$ |
| Junction to Ambient | (400 Lf/min Air Flow) | | 82 | | $^\circ\text{C/W}$ |
| Junction to Ambient LM325AN, LM325N | (Still Air) | | 90 | | $^\circ\text{C/W}$ |

Note 1: That voltage to which the output may be forced without damage to the device.

Note 2: Unless otherwise specified these specifications apply for $T_j = 55^\circ\text{C}$ to $+150^\circ\text{C}$ on LM125, $T_j = 0^\circ\text{C}$ to $+125^\circ\text{C}$ on LM325, $V_{IN} = \pm 20\text{V}$, $I_L = 0\text{ mA}$, $I_{MAX} = 100\text{ mA}$, $P_{MAX} = 2.0\text{W}$ for the H10 Package. $I_{MAX} = 100\text{ mA}$, $P_{MAX} = 1.0\text{W}$ for the DIP N Package.

Note 3: If the junction temperature exceeds 150°C , the output short circuit duration is 60 seconds.

Note 4: Without a heat sink, the thermal resistance junction to ambient of the H10 Package is about 155°C/W . With a heat sink, the effective thermal resistance can only approach the junction to case values specified, depending on the efficiency of the sink.

Note 5: Refer to RETS125X drawing for military specification of LM125.

Absolute Maximum Ratings

If Military/Aerospace specified devices are required, please contact the National Semiconductor Sales Office/Distributors for availability and specifications.
(Note 5)

| | |
|--|--------------------|
| Input Voltage | ±30V |
| Forced V_{O+} (Min) (Note 1) | -0.5V |
| Forced V_{O-} (Max) (Note 1) | +0.5V |
| Power Dissipation (Note 2) | Internally Limited |
| Output Short-Circuit Duration (Note 3) | Continuous |

Operating Conditions

| | |
|---------------------------------------|-----------------|
| Operating Free Temperature Range | |
| LM126 | -55°C to +125°C |
| LM326 | 0°C to +70°C |
| Storage Temperature Range | -65°C to +150°C |
| Lead Temperature (Soldering, 10 sec.) | 300°C |

Electrical Characteristics LM126/LM326 (Note 2)

| Parameter | Conditions | Min | Typ | Max | Units |
|--|--|----------------|-----------------|----------------|----------------------|
| Output Voltage LM126/LM326 | $T_j = 25^\circ\text{C}$ | 11.8 11.5 | 12 | 12.2 12.5 | V V |
| Input-Output Differential | | 2.0 | | | V |
| Line Regulation | $V_{IN} = 15\text{V to }30\text{V}$ $I_L = 20\text{ mA}, T_j = 25^\circ\text{C}$ | | 2.0 | 10 | mV |
| Line Regulation Over Temperature Range | $V_{IN} = 15\text{V to }30\text{V}, I_L = 20\text{ mA}$ | | 2.0 | 20 | mV |
| Load Regulation V_{O+} V_{O-} | $I_L = 0\text{ to }50\text{ mA}, V_{IN} = \pm 30\text{V},$ $T_j = 25^\circ\text{C}$ | | 3.0 5.0 | 10 10 | mV mV |
| Load Regulation Over Temperature Range V_{O+} V_{O-} | $I_L = 0\text{ to }50\text{ mA}, V_{IN} = \pm 30\text{V}$ | | 4.0 7.0 | 20 20 | mV mV |
| Output Voltage Balance LM126, LM326 | $T_j = 25^\circ\text{C}$ | | | ±125 ±250 | mV mV |
| Output Voltage Over Temperature Range LM126 LM326 | $P \leq P_{MAX}, 0 \leq I_O \leq 50\text{ mA},$ $15\text{V} \leq V_{IN} \leq 30$ | 11.68 11.32 | | 12.32 12.68 | V V |
| Temperature Stability of V_O | | | ±0.3 | | % |
| Short Circuit Current Limit | $T_j = 25^\circ\text{C}$ | | 260 | | mA |
| Output Noise Voltage | $T_j = 25^\circ\text{C}, \text{BW} = 100 - 10\text{ kHz}$ | | 100 | | μVrms |
| Positive Standby Current | $T_j = 25^\circ\text{C}, I_L = 0$ | | 1.75 | 3.0 | mA |
| Negative Standby Current | $T_j = 25^\circ\text{C}, I_L = 0$ | | 3.1 | 5.0 | mA |
| Long Term Stability | | | 0.2 | | %/kHr |
| Thermal Resistance Junction to Case (Note 4) LM126H, LM326H Junction to Ambient Junction to Ambient | (Still Air) (400 Lf/min Air Flow) | | 20 155 62 | | °C/W °C/W °C/W |
| Junction to Ambient LM326N | | | 150 | | °C/W |

Note 1: That voltage to which the output may be forced without damage to the device.

Note 2: Unless otherwise specified these specifications apply for $T_j = 55^\circ\text{C}$ to $+150^\circ\text{C}$ on LM126, $T_j = 0^\circ\text{C}$ to $+125^\circ\text{C}$ on LM326, $V_{IN} = \pm 20\text{V}, I_L = 0\text{ mA}, I_{MAX} = 100\text{ mA}, P_{MAX} = 2.0\text{W}$ for the H10 Package, $I_{MAX} = 100\text{ mA}, P_{MAX} = 1.0\text{W}$ for the DIP N Package.

Note 3: If the junction temperature exceeds 150°C , the output short circuit duration is 60 seconds.

Note 4: Without a heat sink, the thermal resistance junction to ambient of the H10 Package is about 155°C/W . With a heat sink, the effective thermal resistance can only approach the junction to case values specified, depending on the efficiency of the sink.

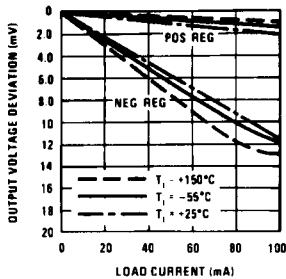
Note 5: Refer to RETS126X drawing for military specification of LM126.

Typical Performance Characteristics

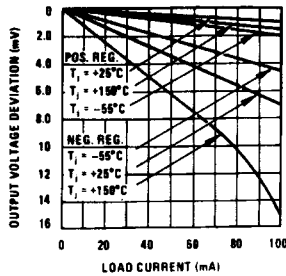
[查询"LM125H"供应商](#)

LM125/LM325/LM325A/LM126/LM326

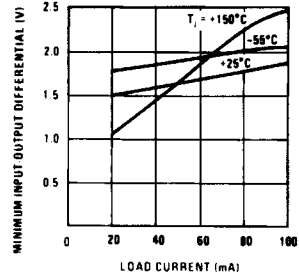
LM125 Load Regulation



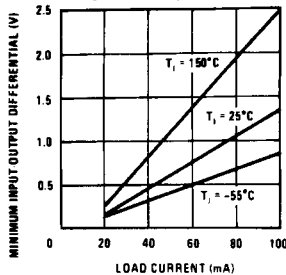
LM126 Load Regulation



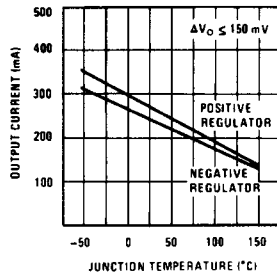
LM125/126 Regulator Dropout Voltage for Positive Regulator



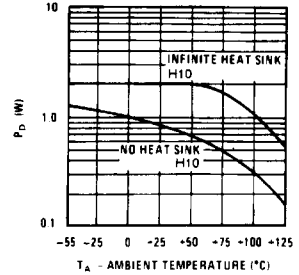
LM125/126 Regulator Dropout Voltage for Negative Regulator



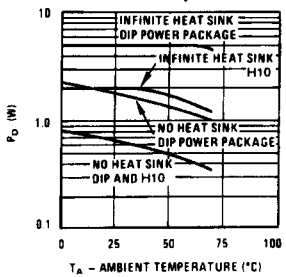
LM125/126 Peak Output Current vs Junction Temperature



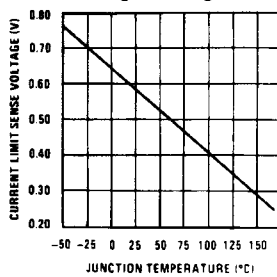
LM125/126 Maximum Average Power Dissipation vs Ambient Temperature



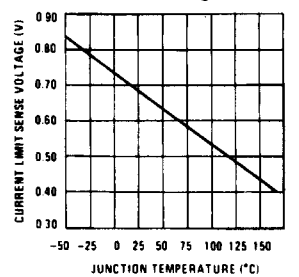
LM325/326 Maximum Average Power Dissipation vs Ambient Temperature



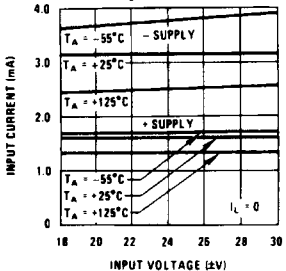
LM125/126 Current Limit Sense Voltage vs Temperature for Negative Regulator



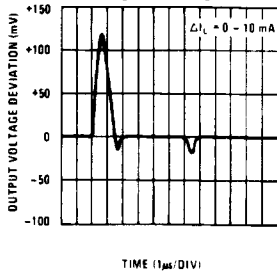
LM125/126 Current Limit Sense Voltage vs Temperature for Positive Regulator



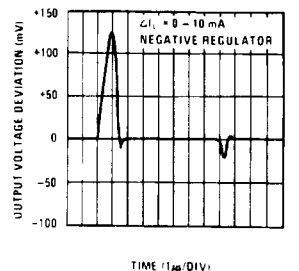
LM125/126 Standby Current Drain



LM125 Load Transient Response for Negative Regulator



LM126 Load Transient Response

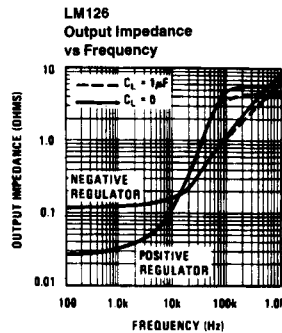
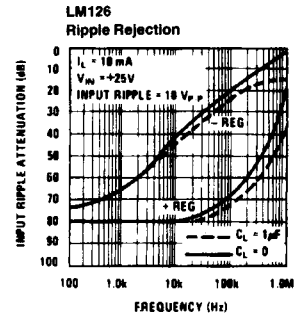
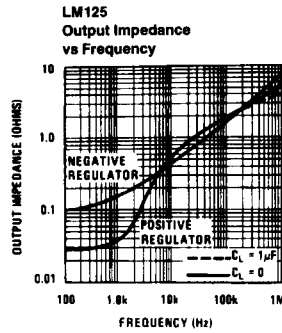
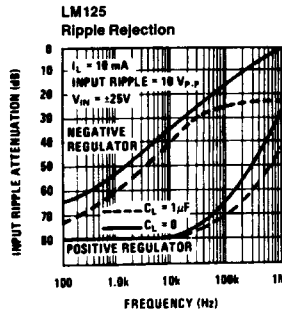
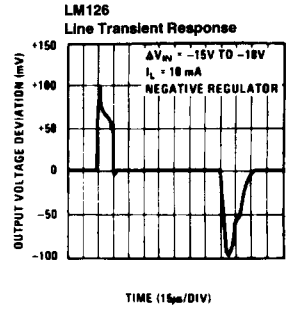
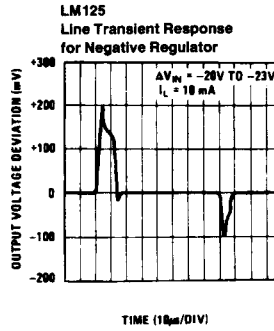
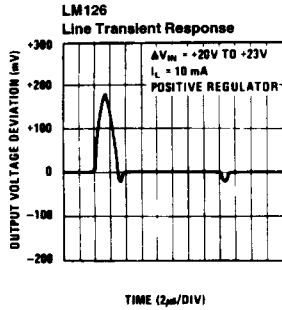
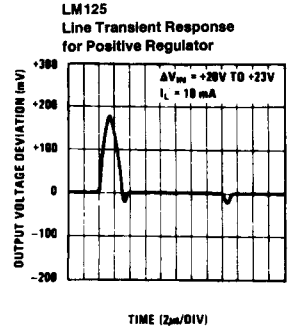
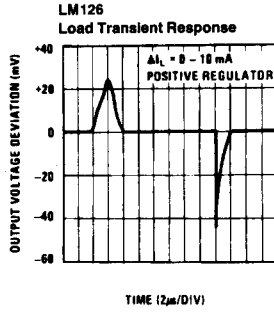
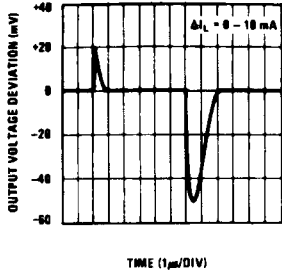


TL/H/7776-4



Typical Performance Characteristics (Continued)

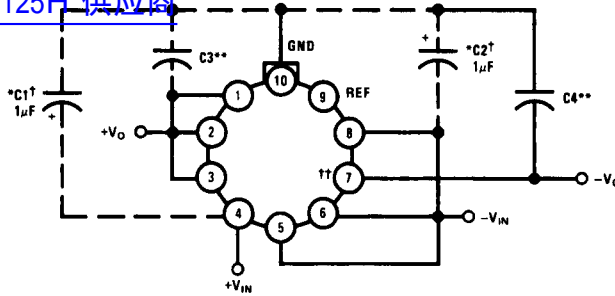
LM125
[查询LM125/LM325/LM325A/LM126/LM326](#)
 供应商



Typical Applications

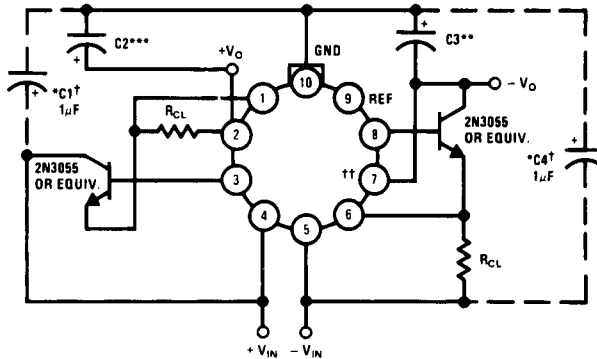
[查询"LM125H"供应商](#)

Basic Regulator†††



TL/H/7776-6

2.0 Amp Boosted Regulator With Current Limit



TL/H/7776-7

Note: Metal can (H) packages shown.

$$I_{CL} = \frac{\text{Current Limit Sense Voltage (See Curve)}}{R_{CL}}$$

†Solid tantalum

††Short pins 6 and 7 on dip

††† R_{CL} can be added to the basic regulator between pins 6 and 5, 1 and 2 to reduce current limit.

*Required if regulator is located an appreciable distance from power supply filter.

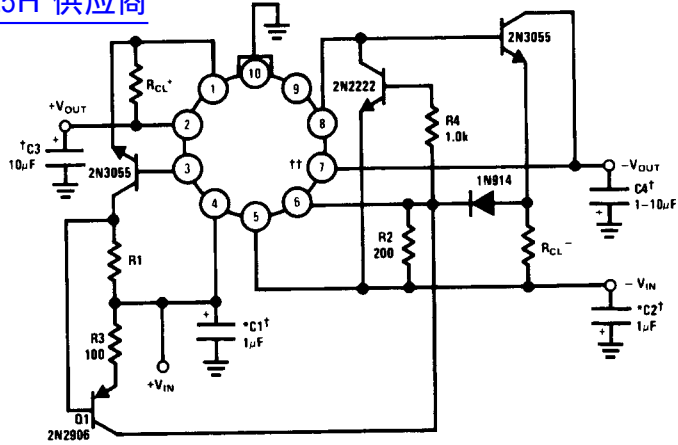
**Although no capacitor is needed for stability, it does help transient response. (If needed use 1 μ F electrolytic).

***Although no capacitor is needed for stability, it does help transient response. (If needed use 10 μ F electrolytic).

Typical Applications (Continued)

Positive Current Dependent Simultaneous Current Limiting

[查询"LM125H"供应商](#)



TL/H/7776-8

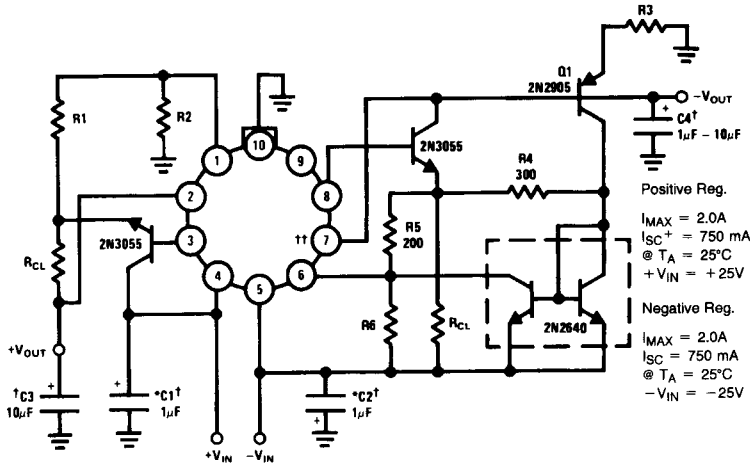
$$I_{CL+} = \frac{V_{SENSE NEG} + V_{BEQ1}}{R1}$$

$$R_{CL+} = \frac{V_{SENSE+}}{1.1 I_{CL+}}$$

$$I_{CL+} = \frac{V_{SENSE NEG} + V_{DIODE}}{R_{CL-}}$$

I_{CL+} Controls Both Sides of the Regulator.

Boosted Regulator With Foldback Current Limit



Resistor Values

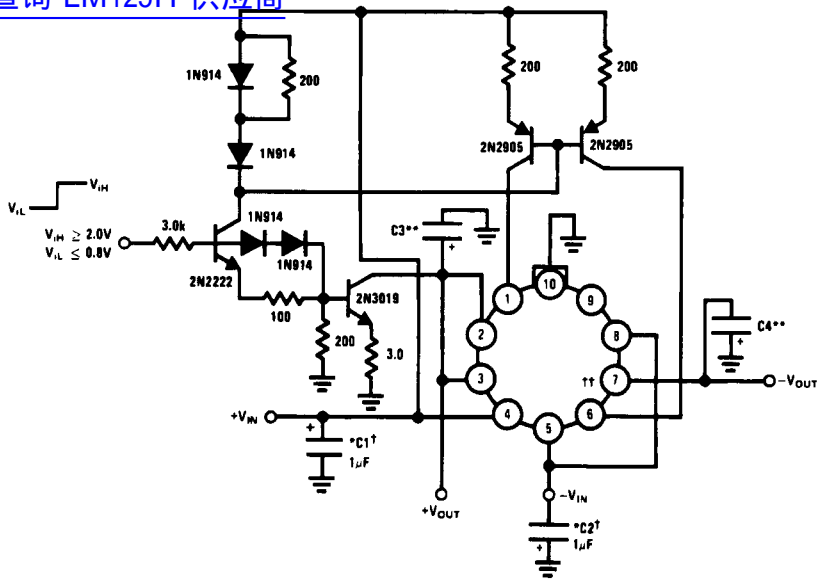
| | 125 | 126 |
|-----|------|-------|
| R1 | 18 | 20 |
| R2 | 310 | 180 |
| R3 | 2.4k | 1.35k |
| R6 | 300 | 290 |
| RCL | 0.7 | 0.9 |

TL/H/7776-9

Typical Applications (Continued)

[查询"LM125H"供应商](#)

Electric Shutdown



†Solid tantalum

††Short pins 6 and 7 on dip

*Required if regulator is located an appreciable distance from power supply filter.

**Although no capacitor is needed for stability, it does help transient response. (If needed use 1 μ F electrolytic).

TL/H/7778-10

LM125/LM325/LM325A/LM126/LM326

1