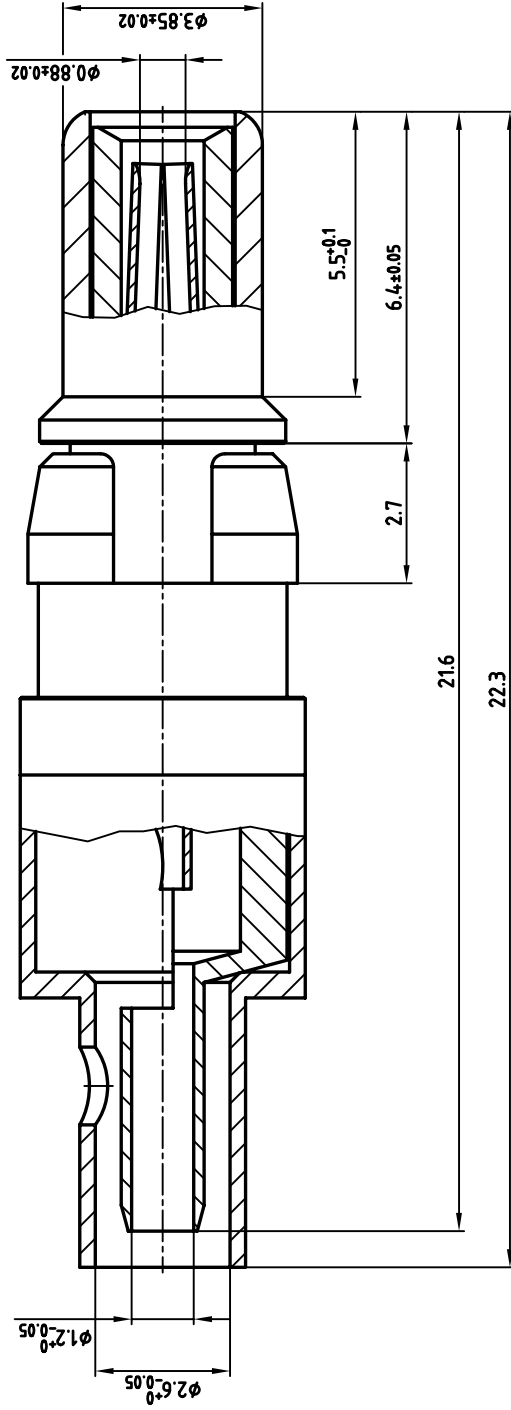


used for: D-SUB COMBINATION

[查询"131J20019X"供应商](#)



THIS DRAWING MAY NOT BE COPIED OR REPRODUCED IN ANY WAY, AND MAY NOT BE PASSED ON TO A THIRD PARTY WITHOUT WRITTEN PERMISSION. OWNERSHIP AND COPYRIGHT OF CONEC GMBH DO NOT ALTER CAD DRAWING BY HAND

rev.	description	date	name

tolerance		scale:	10:1
material:		material:	
2001	date	name	title:
drawn	18.09.	E. Mickenbecker	COAXIAL CONTACT PLUG 50 OHM
appd.	18.09.	A. Mickenbecker	inner conductor for solder termination
norm			outer conductor crimp or solder termination
6-old			AutoCAD 2000
		DIN-A	dwg no:
		3	13K2IV6A
		sh:2/2	part no:
			131J20019X

1 2 3 4 5 6 7 8