

±0.4
7

查询"DD1P030MA1"供应商

(27.15)

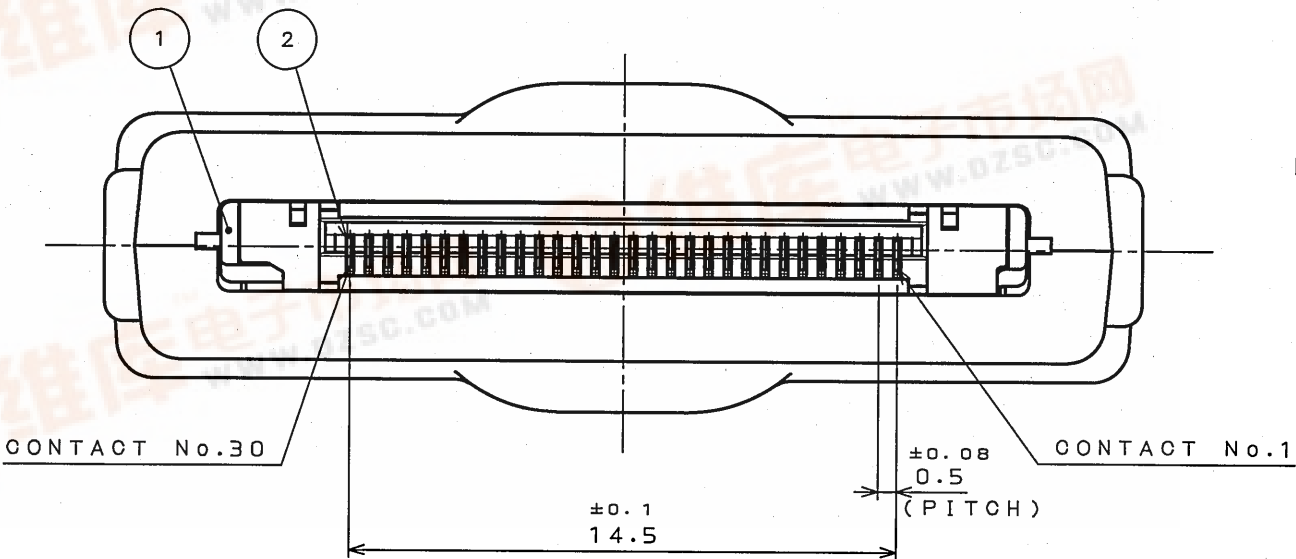
±0.4
21.5

±0.2
5.65

+0.05
-0.15 (MATING DIMENSION)
21.35 (嵌合部寸法)

±0.4
25.9

±0.4
27.5



DDF-0-213E(03.08)



This datasheet has been downloaded from:

www.EEworld.com.cn

Free Download

Daily Updated Database

100% Free Datasheet Search Site

100% Free IC Replacement Search Site

Convenient Electronic Dictionary

Fast Search System

www.EEworld.com.cn