



semitron hot line

discrete devices

TOLL FREE NUMBER 800-777-3960

T-33-01

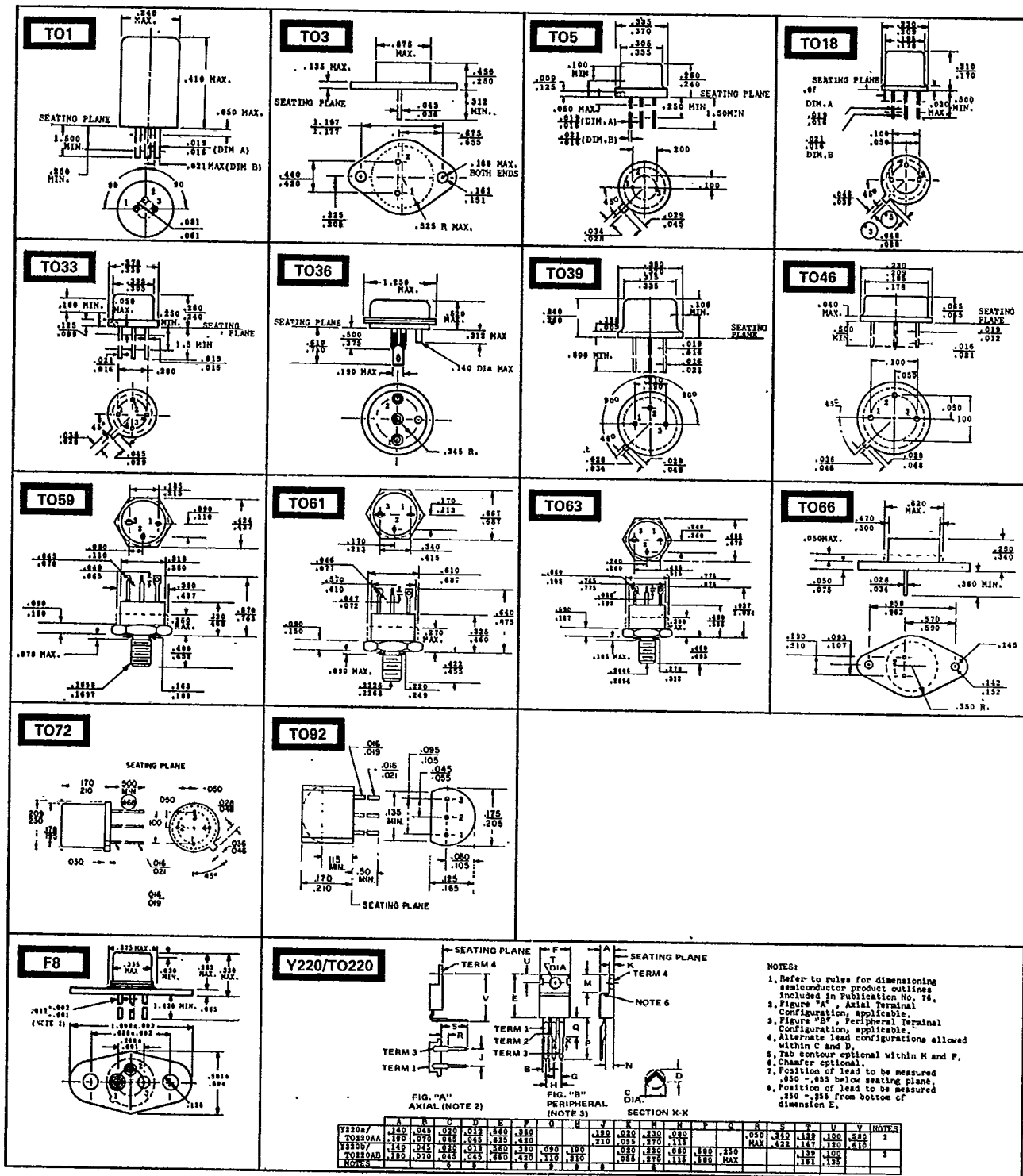
germanium transistors cont'd

germanium power transistors — (cont'd)

Type	Polarity	Power Dissipation @ 25°C (watts)	T _J (°C)	BV _{CEO} (volts)	BV _{CES} (volts)	h _{FE} @ I _C			V _{CE} (SAT) @ I _C		f _T (MHz)	Case Style
						(Min.)	(Max.)	(Amps)	(volts)	(Amps)		
		NOTE 1	NOTE 2							NOTE 3	NOTE 4	
2N514A	PNP	80 (C)	95	60	60 (X)	—	—	—	1.25	25	—	TO-41
2N514B	PNP	80 (C)	95	80	80 (X)	—	—	—	1.25	25	—	TO-41
2N538	PNP	34 (J)	95	80	60	20	50	2.0	—	—	—	MT-36
2N538A	PNP	34 (J)	95	80	60	20	50	2.0	0.6	2.0	—	MT-36
2N539	PNP	34 (J)	95	80	55	30	75	2.0	0.6	2.0	—	MT-36
2N539A	PNP	11 (J)	95	80	55	30	75	2.0	0.6	2.0	—	MT-36
2N540	PNP	34 (J)	95	80	55	45	113	2.0	0.6	2.0	—	MT-36
2N540A	PNP	34 (J)	95	80	55	45	113	2.0	0.6	2.0	—	MT-36
2N553	PNP	35 (C)	95	80	—	40	80	0.5	0.9	3.0	—	TO-3
2N554	PNP	40 (J)	90	—	—	—	—	—	—	—	—	TO-3
2N555	PNP	10 (J)	90	40	—	—	—	—	—	—	5.0 (B)	TO-3
2N561	PNP	50 (A)	100	80	50 (O)	20	50	4.0	—	—	—	TO-3
2N574	PNP	180 (J)	100	60	55 (O)	9.0	22	10	0.2	10	—	MT-7
2N574A	PNP	180 (J)	100	80	60 (O)	9.0	22	10	0.2	10	—	MT-7
2N575	PNP	180 (J)	100	60	50 (O)	19	42	10	0.5	25	—	MT-7
2N618	PNP	90 (C)	95	80	60 (S)	60	140	1.0	0.8	2.0	—	TO-3
2N627	PNP	90 (C)	100	40	30 (S)	10	30	10	1.0	10	—	TO-3
2N628	PNP	90 (C)	100	60	45 (S)	10	30	10	1.0	10	—	TO-3
2N629	PNP	90 (C)	100	80	60 (S)	10	30	10	1.0	10	—	TO-3
2N630	PNP	90 (C)	100	100	75 (S)	10	30	10	1.0	10	—	TO-3
2N637	PNP	60 (C)	100	—	35 (R)	30	60	3.0	1.5	3.0	—	TO-3
2N637A	PNP	60 (C)	100	—	65 (R)	30	60	3.0	1.5	3.0	—	TO-3
2N637B	PNP	60 (C)	100	—	75 (R)	30	60	3.0	1.5	3.0	—	TO-3
2N638	PNP	60 (C)	100	—	35 (R)	20	40	3.0	2.0	3.0	—	TO-3
2N638A	PNP	60 (C)	100	—	65 (R)	20	40	3.0	2.0	3.0	—	TO-3
2N638B	PNP	60 (C)	100	—	75 (R)	20	40	3.0	2.0	3.0	—	TO-3
2N663	PNP	35 (C)	100	50	25 (O)	25	75	0.5	1.0	3.0	15 (E)	TO-3
2N665	PNP	35 (C)	95	80	40 (O)	40	80	0.5	0.9	3.0	20 (E)	TO-3
2N669	PNP	62.5 (C)	100	40	30 (S)	—	250	0.5	—	—	3.0 (E)	TO-3
2N677	PNP	90 (C)	100	50	30 (S)	20	60	10	1.0	10	—	TO-41
2N677A	PNP	90 (C)	100	60	40 (S)	20	60	10	1.0	10	—	TO-41
2N677B	PNP	90 (C)	100	90	70 (S)	20	60	10	1.0	10	—	TO-41
2N677C	PNP	90 (C)	100	100	80 (S)	20	60	10	1.0	10	—	TO-41
2N678	PNP	90 (C)	100	50	20 (O)	50	100	10	1.0	10	—	TO-41
2N678A	PNP	90 (C)	100	60	30 (O)	50	100	10	1.0	10	—	TO-41
2N678B	PNP	90 (C)	100	90	60 (O)	50	100	10	1.0	10	—	TO-41
2N678C	PNP	90 (C)	100	100	70 (O)	50	100	10	1.0	10	—	TO-41
2N1011	PNP	35 (C)	95	80	80 (S)	30	75	3.0	1.5	3.0	20 (E)	TO-3
2N1021	PNP	50 (C)	95	100	100 (X)	23	70	1.0	1.0	5.0	—	TO-3
2N1021A	PNP	150 (C)	100	100	50 (O)	30	90	5.0	0.5	5.0	200 (T)	TO-3
2N1022	PNP	50 (C)	95	120	120 (X)	23	70	5.0	1.0	5.0	—	TO-3
2N1022A	PNP	150 (C)	100	120	55 (O)	30	90	5.0	0.5	5.0	200 (T)	TO-3
2N1031	PNP	90 (C)	100	50	30 (S)	20	60	10	1.0	10	10 (E)	TO-41
2N1031A	PNP	90 (C)	100	60	40 (S)	20	60	10	1.0	10	10 (E)	TO-41
2N1031B	PNP	90 (C)	100	90	70 (S)	20	60	10	1.0	10	10 (E)	TO-41
2N1031C	PNP	90 (C)	100	100	80 (S)	20	60	10	1.0	10	10 (E)	TO-41
2N1032	PNP	90 (C)	100	50	30 (S)	50	10	10	1.0	10	25 (E)	TO-41
2N1032A	PNP	90 (C)	100	60	40 (S)	50	100	10	1.0	10	25 (E)	TO-41
2N1032B	PNP	90 (C)	100	90	70 (S)	50	100	10	1.0	10	25 (E)	TO-41
2N1032C	PNP	90 (C)	100	100	80 (S)	50	100	10	1.0	10	25 (E)	TO-41
2N1038	PNP	20 (C)	95	40	40 (V)	20	60	1.0	0.25	1.0	18 (E)	TO-5
2N1099	PNP	50 (C)	95	80	70 (S)	35	70	5.0	0.7	12	—	TO-36
2N1100	PNP	50 (C)	95	100	65 (O)	25	50	5.0	0.7	12	—	TO-36
2N1120	PNP	45 (C)	95	80	70 (S)	20	50	10	1.0	10	30 (E)	TO-41
2N1136	PNP	—	100	60	35 (R)	50	100	3.0	1.0	3.0	—	TO-3
2N1136A	PNP	—	100	90	35 (R)	50	100	3.0	1.0	3.0	4.0 (E)	TO-3
2N1136B	PNP	—	100	100	75 (R)	50	100	3.0	1.0	3.0	4.0 (E)	TO-3
2N1137	PNP	—	100	60	25 (O)	75	150	3.0	1.0	3.0	—	TO-3
2N1137A	PNP	—	100	90	55 (O)	75	150	3.0	1.0	3.0	—	TO-3
2N1137B	PNP	—	100	100	65 (O)	75	150	3.0	1.0	3.0	—	TO-3
2N1138	PNP	—	100	60	25 (O)	100	200	3.0	1.0	3.0	—	TO-3
2N1138A	PNP	—	100	90	55 (O)	100	200	3.0	1.0	3.0	—	TO-3
2N1138B	PNP	—	100	100	65 (O)	100	200	3.0	1.0	3.0	—	TO-3
2N1146	PNP	87 (C)	95	40	20 (O)	60	150	5.0	1.0	15	0.15* (E)	TO-3
2N1146A	PNP	87 (C)	95	60	30 (O)	60	150	5.0	1.0	15	0.15* (E)	TO-3
2N1146B	PNP	87 (C)	95	80	40 (O)	60	150	5.0	1.0	15	0.15* (E)	TO-3
2N1146C	PNP	87 (C)	95	100	50 (O)	60	150	5.0	1.0	15	0.15* (E)	TO-3
2N1147	PNP	87 (C)	95	40	20 (O)	60	150	5.0	1.0	15	0.15* (E)	TO-41
2N1147A	PNP	87 (C)	95	60	30 (O)	60	150	5.0	1.0	15	0.15* (E)	TO-41
2N1147B	PNP	87 (C)	95	80	40 (O)	60	150	5.0	1.0	15	0.15* (E)	TO-41
2N1147C	PNP	87 (C)	95	100	50 (O)	60	150	5.0	1.0	15	0.15 (E)	TO-41
2N1157	PNP	187 (J)	100	60	45 (O)	38	84	10	0.8	40	75 (T)	MT-7
2N1157A	PNP	187 (J)	100	80	50 (O)	38	84	10	0.8	40	75 (T)	MT-7
2N1159	PNP	35 (C)	95	80	60 (O)	30	75	3.0	1.0	3.0	—	TO-3
2N1160	PNP	35 (C)	95	80	60 (O)	20	50	5.0	1.0	5.0	—	TO-3

* MHz

case outline drawings



case outline drawings cont'd

D01-3

D013

D027

D04

D035

D041

D05

A249

	A	B	C	D	E	F
AA46	.180	.180	.021	.053	1.000	0.400
AA46	MAX	MAX	MAX	MAX	MIN	MIN
AA46C	.180	.177	MAX	.053	.884	.388
AA46C	MAX	MAX	MAX	MAX	MIN	MIN
AA46D	.175	.150	MAX	.053	.810	MAX
AA46D	MAX	MAX	MAX	MAX	MIN	MIN
AA46E	.180	.187	MAX	.053	1.14	1.14
AA46E	MAX	MAX	MAX	MAX	MIN	MIN

D07

MILLIMETER DIMENSIONS ARE DERIVED FROM ORIGINAL INCH DIMENSIONS

SYMBOL	INCHES		MILLIMETERS		NOTES
	MIN.	MAX.	MIN.	MAX.	
B	.018	.023	0.458	0.558	-
D	.005	.107	2.16	2.71	1
C	.030	.300	5.05	7.62	1
L	1.000	-	25.40	-	-
L1	-	.050	-	1.27	2

D08

C212

C223

SPACED ON 200 (51) CENTERS

LEADS .030 (3) DIA

750 (119.1)

250 (63.5)

625 (15.9)

500 (12.7)

DIMENSIONS IN INCHES AND MILLIMETERS

D09

D010

F22

	A	B	C	D	E	F	G	H
F22	.875	.800	.245	.245	.105	.052	.235	.245
F22	MAX	MAX	MAX	MAX	MAX	MAX	MAX	MAX
F22A	1.00	.850	.250	.250	.100	.075	.250	.250
F22A	MAX	MAX	MAX	MAX	MAX	MAX	MAX	MAX
F22B	1.00	1.43	.00	.250	.100	.063	.250	.250
F22B	MAX	MAX	MAX	MAX	MAX	MAX	MAX	MAX
F22C	2.40	1.00	.400	.250	.150	.063	.250	.250
F22C	MAX	MAX	MAX	MAX	MAX	MAX	MAX	MAX
F22D	2.07	2.37	.400	.250	.150	.063	.250	.250
F22D	MAX	MAX	MAX	MAX	MAX	MAX	MAX	MAX
F22E	2.34	2.64	.400	.250	.150	.063	.250	.250
F22E	MAX	MAX	MAX	MAX	MAX	MAX	MAX	MAX
F22F	3.01	3.31	.400	.250	.150	.063	.250	.250
F22F	MAX	MAX	MAX	MAX	MAX	MAX	MAX	MAX
F22G	1.13	.800	.450	.250	.150	.063	.250	.250
F22G	MAX	MAX	MAX	MAX	MAX	MAX	MAX	MAX