

# SKINTOP® MS

[查询"52015700"供应商](#)

Universal gland in brass

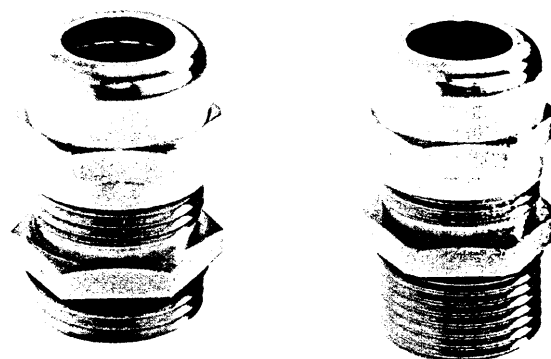
## SKINTOP® MS

SKINTOP® MS in a brass version is suitable for use in the manufacture of machinery and equipment, in measuring and controlling technology, in chemical technology and in system manufacture, in medico-technical equipment and in many other fields where exceptional stability and safe functioning are required. It has a permanently locked plastic clamp for protection against distortion.


Suitable accessories see page 412 and 447.


## SKINTOP® MS with long thread


Additional we offer our proven SKINTOP® MS with long thread. PG 7 to PG 21 with 12 mm and PG 29 with 15 mm thread for thick wall housing.

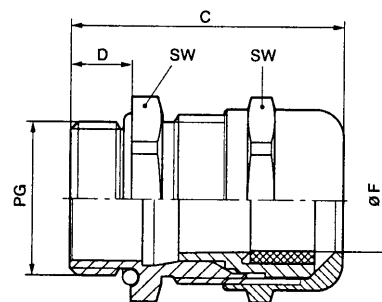


## Technical Data

 Material:  
Body: brass, nickel-plated  
Insert: Polyamid  
Sealing ring: Neoprene  
O-ring: Perbunan

 Protection class: IP 68 – 5 bar

 Temperature range:  
-30 °C to +100 °C



Part Number	Type-PG-size	Clamping range mm	Wrench size mm	C mm	D mm	Pack size pieces
<b>SKINTOP® MS</b>						
5201 5700	MS 7	2 - 6,5	14	25	5	100
5201 5710	MS 9	3 - 8	17	29	6	100
5201 5720	MS 11	4 - 10	20	32	6	50
5201 5730	MS 13,5	5 - 12	22	34	6,5	50
5201 5740	MS 16	8 - 14	24	35	6,5	50
5201 5750	MS 21	11 - 18	30	40	7	25
5201 5760	MS 29	16 - 25	40	48	8	25
5201 5765	MS 36	19 - 32	50	62	15	10
5201 5766	MS 42	28 - 38	57	62	15	5
5201 5767	MS 48	34 - 44	64	62	15	5
<b>SKINTOP® MS long</b>						
5211 5700	MS 7 long	2 - 6,5	14	32	12	100
5211 5710	MS 9 long	3 - 8	17	35	12	100
5211 5720	MS 11 long	4 - 10	20	38	12	50
5211 5730	MS 13,5 long	5 - 12	22	39,5	12	50
5211 5730	MS 16 long	8 - 14	24	40,5	12	50
5211 5750	MS 21 long	11 - 18	30	45	12	25
5211 5760	MS 29 long	16 - 25	40	50	15	25