

4.0mm PITCH PROBE PIN CONNECTOR

查询"060125MA"供应商

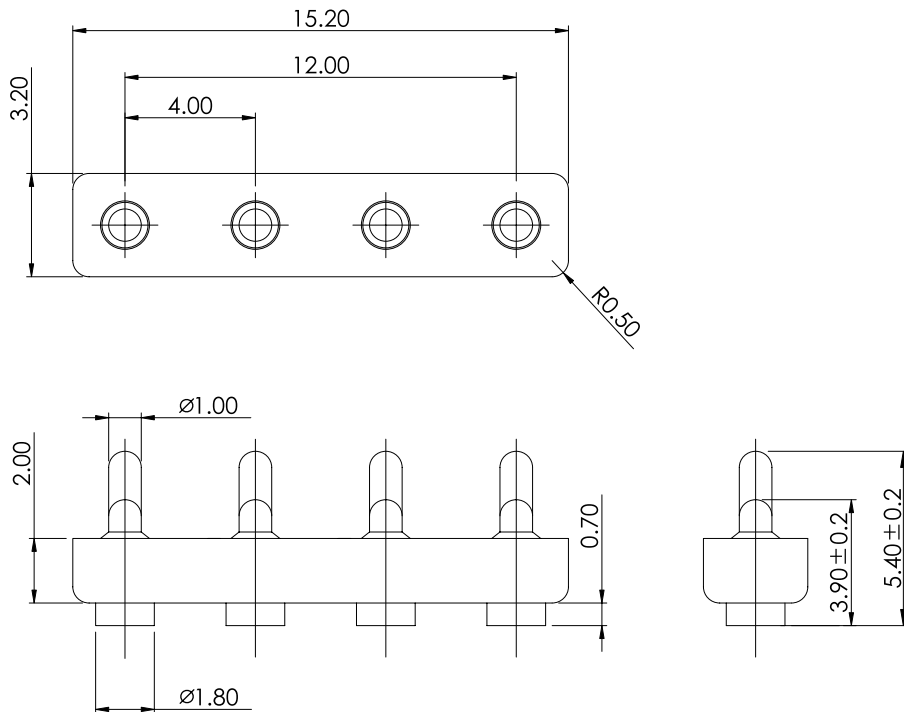
PIN BATTERY (H:5.4mm)



060125MA Series

Specifications:

- **Insulator Material** : Black Thermo Plastic UL94V-O
- **Operating Type Range** : -40°C TO +105°C
- **Terminal Material** : Brass
- **Platings** : Contact Gold Plated
- **Max. Current Rating** : 7.0A
- **Max. Voltage Rating** : 30V AC
- **Dielectric Strength** : 500V AC For 60 Seconds



Mobile

BATTERY

Order Information

060125MA004□□00ZR
 1 2 3 4 5

1. 'A' : Straight SMT Type
 2. No. of pins.
 3. Plating
 4. Color 'Z' : Black
 5. Package
- 'R' : Reel Package With Cap

Reference Page 11

Recommended P.C.B Layout

