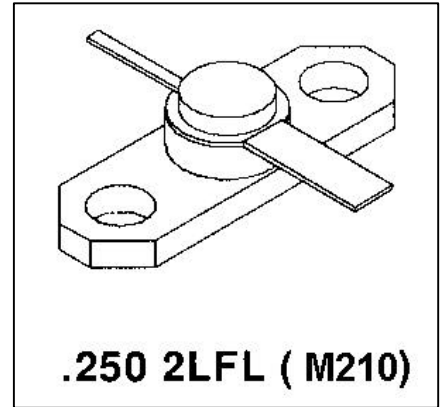


MSC4001

**RF AND MICROWAVE TRANSISTORS
 GENERAL PURPOSE AMPLIFIER APPLICATIONS**

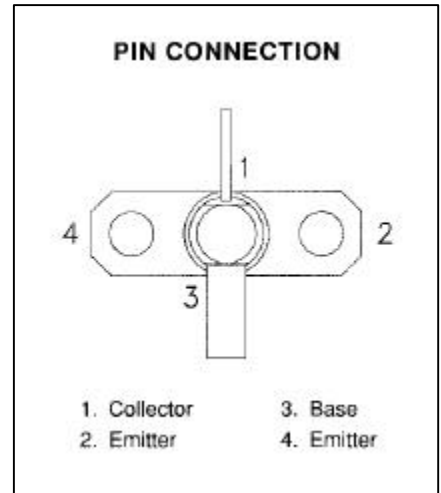
Features

- 3:1 VSWR AT RATED CONDITIONS
- HERMETIC STRIPAC® PACKAGE
- P_{OUT} = 1.0 W MIN. WITH 5.0 dB GAIN AT 4.0 GHz



DESCRIPTION:

The MSC4001 common-base, hermetically sealed silicon NPN microwave power transistor features a unique Microgrid™ structure and can withstand 3:1 VSWR at any phase angle under rated conditions. It is designed for Class C amplifier applications in the 2.0 – 4.4 GHz frequency range.



ABSOLUTE MAXIMUM RATINGS (T_{CASE} = 25°C)

Symbol	Parameter	Value	Unit
P _{DISS}	Power Dissipation*	7.0	W
I _C	Device Current*	0.25	A
V _{CC}	Collector Supply Voltage*	30	V
T _J	Junction Temperature (Pulsed RF Operation)	+200	°C
T _{STG}	Storage Temperature	-65 to +200	°C

THERMAL DATA

R _{TH(j-c)}	Junction-Case Thermal Resistance*	25	°C/W
----------------------	-----------------------------------	----	------

*Applies only to rated RF amplifier operation

MSC4001

ELECTRICAL SPECIFICATIONS ($T_{CASE} = 25^{\circ}C$)

STATIC

Symbol	Test Conditions			Value			Unit
				Min.	Typ.	Max.	
BV_{CBO}	$I_C = 1\text{ mA}$	$I_E = 0\text{ mA}$		45	---	---	V
BV_{EBO}	$I_E = 1\text{ mA}$	$I_C = 0\text{ mA}$		3.5	---	---	V
BV_{CER}	$I_C = 5\text{ mA}$	$R_{BE} = 10\ \Omega$		45	---	---	V
I_{CBO}	$V_{BE} = 28\text{ V}$			---	---	0.5	mA
h_{FE}	$V_{CE} = 5\text{ V}$	$I_C = 100\text{ mA}$		15	---	120	---

DYNAMIC

Symbol	Test Conditions			Value			Unit
				Min.	Typ.	Max.	
P_{OUT}	$f = 4.0\text{ GHz}$	$P_{IN} = 0.32\text{ W}$	$V_{CC} = 28\text{ V}$	1.0	1.2	---	W
η_C	$f = 4.0\text{ GHz}$	$P_{IN} = 0.32\text{ W}$	$V_{CC} = 28\text{ V}$	25	27	---	%
G_P	$f = 4.0\text{ GHz}$	$P_{IN} = 0.32\text{ W}$	$V_{CC} = 28\text{ V}$	5.0	5.8	---	dB
C_{OB}	$f = 1\text{ MHz}$	$V_{CB} = 28\text{ V}$		---	---	3.6	pF

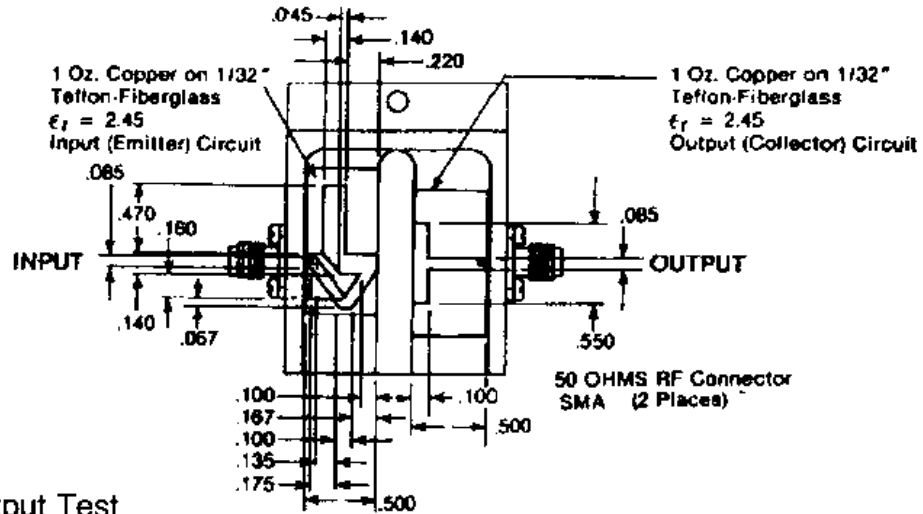
MSC4001

IMPEDANCE DATA

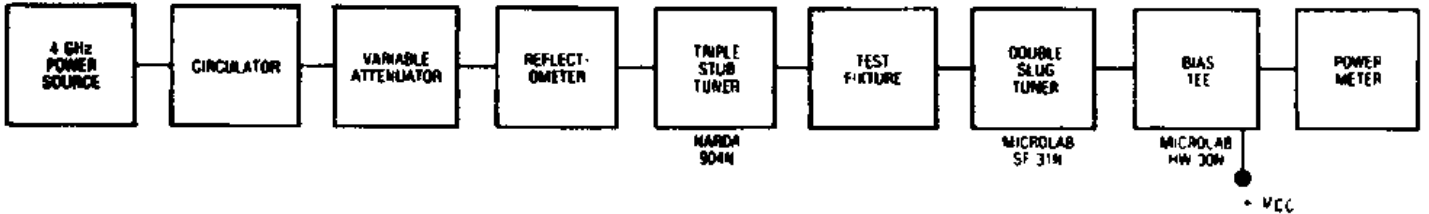
Freq.	Z _{IN} (Ω)	Z _{CL} (Ω)
2.0 GHz	7.5 + j 15.0	10.0 + j 18.0
2.3 GHz	11.0 + j 29.0	8.5 + j 13.0
3.0 GHz	65.0 + j 42.5	6.0 + j 0.0
3.5 GHz	65.0 - j 27.5	5.0 - j 8.5
4.0 GHz	53.0 - j 42.5	5.0 - j 10.0
4.4 GHz	33.0 - j 48.0	9.0 - j 22.0

TEST CIRCUIT

Ref.: Dwg. No. C125505B



RF Amplifier Power Output Test

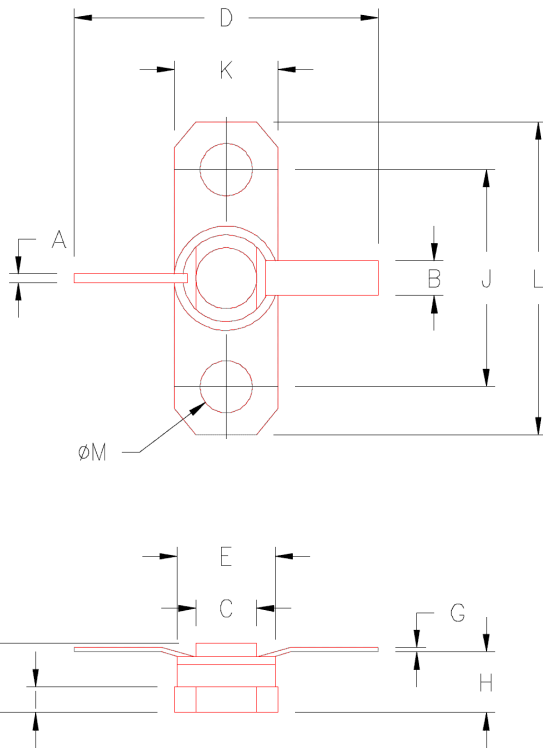


All dimensions are in inches.

MSC4001

PACKAGE MECHANICAL DATA

PACKAGE STYLE M210



INCHES/MM			
.028/0,71			
.110/2,80	K	.245/6,22	.255/6,48
.165/4,19	L	.790/20,07	.810/20,57
.740/18,80	M	.128/3,25	.132/3,35
.225/5,72			
.149/2,30			
.003/0,08			
.117/2,97			
.058/1,47			