

Continued from preceding page.

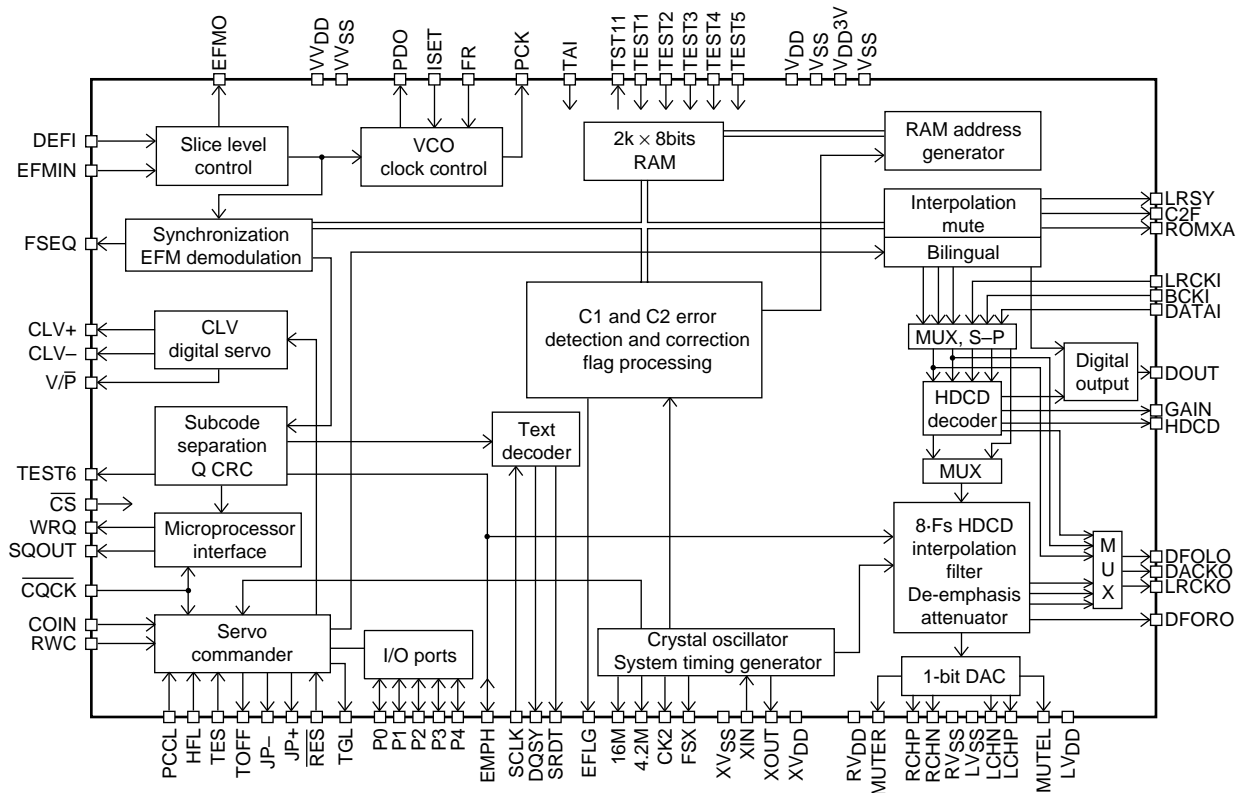
- Buffers the demodulated EFM signal data in internal RAM and compensates for ±4 frames of jitter due to disc speed fluctuations.
- Performs unscrambling and deinterleaving by reordering the demodulated EFM signal data to the stipulated order.
- Performs error detection and correction and flag processing (C1: dual errors, C2: dual errors)
- The C2 flags are set based on the C1 flags and the result of the C2 processing, and the signal is interpolated or muted according to the C2 flags. Four-sample interpolation is adopted in the interpolation circuit. Linear (average value) interpolation is applied if up to three consecutive errors are indicated by the C2 flags, and muting at the zero level is applied if four or more consecutive errors are indicated.
- Performs track jump, focus start, disc motor start/stop, muting on/off, track count, and other operations by executing 8- or 16-bit commands serially input from the system microprocessor.

- Supports high-speed disc access operations based on arbitrary track counts.
- Provides digital outputs.
- Built-in $\Sigma\Delta$ D/A converter based on a third-order noise shaper.
- Zero-cross muting
- Digital attenuator and deemphasis filter
- Support 2 × speed playback
- Bilingual function
- Built-in text decoder
- Five general-purpose I/O ports

Features

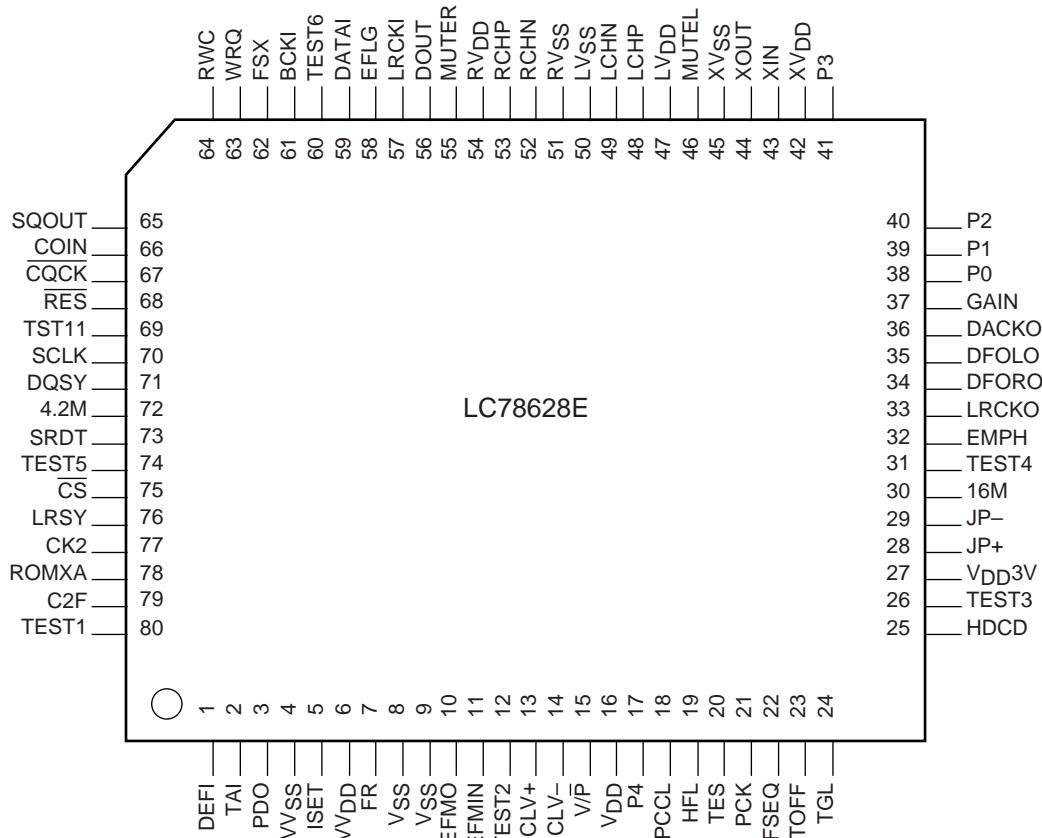
- 80-pin QFP package
- Fabricated in a silicon gate CMOS process
- 3.3 and 5 V power supply voltages

Block Diagram



A12795

Pin Assignment



A12796

Specifications

Absolute Maximum Ratings at Ta = 25°C, VSS = 0 V

Parameter	Symbol	Conditions	Ratings	Unit
Maximum supply voltage	VDD max1	VDD, VVDD, XVDD, LVDD, RVDD	VSS - 0.3 to VSS + 6.0	V
	VDD max2	VDD3V	VSS - 0.3 to VSS + 4.0	V
Input voltage	VIN5 max		VSS - 0.3 to VDD1 + 0.3	V
	VIN3 max		VSS - 0.3 to VDD2 + 0.3	V
Output voltage	VOU5 max		VSS - 0.3 to VDD1 + 0.3	V
	VOU3 max		VSS - 0.3 to VDD2 + 0.3	V
Allowable power dissipation	Pd max		500	mW
Operating temperature	Topr		-20 to +75	°C
Storage temperature	Tstg		-40 to +125	°C

Allowable Operating Conditions at Ta = 25°C, VSS = 0 V

Parameter	Symbol	Conditions	Ratings			Unit
			min	typ	max	
Supply voltage	VDD1	VDD, VVDD, XVDD, LVDD, RVDD	4.5	5.0	5.5	V
	VDD2	VDD3V	3.0	3.3	3.6	V
High-level input voltage	VIH1	DEFI, COIN, RES, HFL, TES, RWC, CQCK, TAI, SCLK, CS, PCCL, LRCKI, BCKI, DATAI	0.8 VDD1		VDD1	V
	VIH2	P0 to P4, TEST1 to TEST5, EMPH	0.7 VDD1		VDD1	V
	VIH3	EFMIN	0.6 VDD1		VDD1	V
Low-level input voltage	VIL1	DEFI, COIN, RES, HFL, TES, RWC, CQCK, TAI, SCLK, CS, PCCL, LRCKI, BCKI, DATAI	0		0.2 VDD1	V
	VIL2	P0 to P4, TEST1 to TEST5, EMPH	0		0.3 VDD1	V
	VIL3	EFMIN	0		0.4 VDD1	V

Continued on next page.

Continued from preceding page.

Parameter	Symbol	Conditions	Ratings			Unit
			min	typ	max	
Input level	V _{IN1}	EFMIN: Slice level control	1.0			Vp-p
	V _{IN2}	XIN: Capacitor coupled input	1.0			Vp-p
Data setup time	t _{SU}	COIN, RWC, *: See figure 1.	400			ns
Data hold time	t _{HD}	COIN, RWC, *: See figure 1.	400			ns
High-level clock pulse width	t _{WH}	\overline{CQCK} , *: See figures 1 and 2.	400			ns
Low-level clock pulse width	t _{WL}	\overline{CQCK} , *: See figures 1 and 2.	400			ns
Data read access time	t _{RAC}	SQOUT: See figures 2.	0		400	ns
Command output time	t _{RWC}	RWC, *: See figures 1.	1000			ns
Subcode Q readout enable time	t _{SQE}	WRQ, normal speed: See figures 2, RWC = V _{IL1}		11.2		ms
Port input setup time	t _{CSU}	P0 to P4, RWC: See figures 3.	400			ns
Port input hold time	t _{CHD}	P0 to P4, RWC: See figures 3.	400			ns
Port input clock setup time	t _{RCQ}	\overline{CQCK} , RWC, *: See figures 3.	100			ns
Port output data delay time	t _{CDD}	P0 to P4, RWC: See figure 4.			1200	ns
Text readout period	t _{CW}	DQSY, normal speed: See figure 5.	1.5	3.3	3.7	ms
DQSY pulse width	t _W	DQSY, normal speed: See figure 5.	60	136	150	μs
SCLK high-level clock pulse width	t _{WTH}	SCLK: See figure 5.	100			ns
SCLK low-level clock pulse width	t _{WTL}	SCLK: See figure 5.	100			ns
SCLK clock delay time	t _{D1}	SCLK: See figure 5.	100			ns
Text data delay time	t _{D2}	SRDT: See figure 5.			50	ns
	t _{D3}	SRDT: See figure 5.			50	ns
Reset time	t _{RES}	\overline{RES}	400			ns
Operating frequency range	f _{OP}	EFMIN			10	MHz
Crystal oscillator frequency	f _X	X _{IN} , X _{OUT}		16.9344		MHz

Notes: The same voltage must be applied to all 5 V system power supply pins.

* When used in conjunction with an ASP that provides a command interface, the stricter ratings of the ASP shall be given priority.

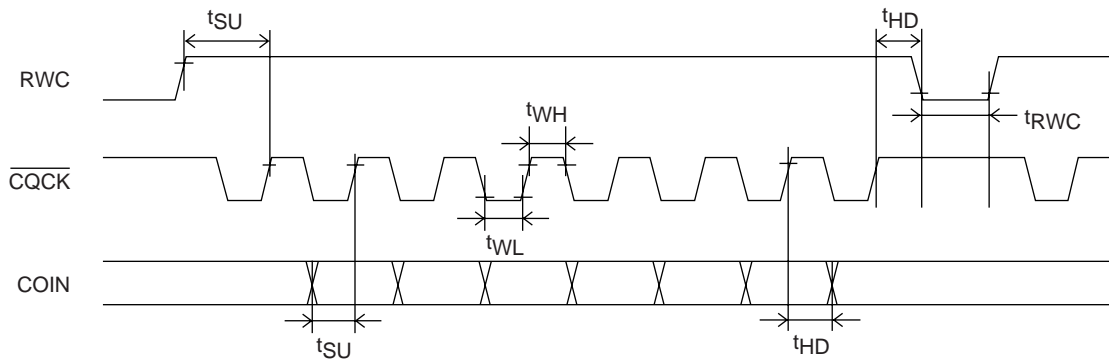
Electrical Characteristics at Ta = 25°C, VDD1 = 5 V, VDD2 = 3.3 V, VSS = 0 V

Parameter	Symbol	Conditions	Ratings			Unit
			min	typ	max	
Current drain	I _{DD1}	V _{DD} , V _{VDD} , X _{VDD} , LV _{DD} , RV _{DD} : 4.5 V to 5.5 V		17	24	mA
	I _{DD2}	V _{DD3V} : 3.0 V to 3.6 V		55	85	mA
High-level input current	I _{IH1}	DEFI, EFMIN, SCLK, COIN, $\overline{\text{RES}}$, HFL, TES, RWC, $\overline{\text{CQCK}}$, TEST1, LRCKI, BCKI, DATAI, XIN: V _{IN} = V _{DD1}	-10		+10	μA
	I _{IH2}	TAI, TEST2 to TEST5, $\overline{\text{CS}}$, PCCL: V _{IN} = V _{DD1}	10		200	μA
Low-level input current	I _{IL}	DEFI, EFMIN, SCLK, COIN, $\overline{\text{RES}}$, HFL, TES, RWC, $\overline{\text{CQCK}}$, TAI, TEST1 to TEST5, $\overline{\text{CS}}$, PCCL, LRCKI, BCKI, DATAI, XIN: V _{IN} = 0 V	-10		+10	μA
High-level output voltage	V _{OH1}	EFMO: I _{OH} = -1 mA	4			V
	V _{OH2}	CLV ⁺ , CLV ⁻ , V $\overline{\text{P}}$, P0 to P4, PCK, FSEQ, TOFF, TGL, JP ⁺ , JP ⁻ , 16M, EMPH, LRCKO, DACKO, DFOLO, DFORO, GAIN, MUTEL, MUTER, DOUT, EFLG, TEST6, FSX, WRQ, SQOUT, TST11, DQSY, 4.2M, SRDT, LRSY, CK2, ROMXA, C2F: I _{OH} = -4 mA	V _{DD1} - 2.1			V
	V _{OH3}	HDCD: I _{OH} = -12 mA	V _{DD1} - 2.1			V
	V _{OH4}	LCHP, LCHN, RCHP, RCHN: I _{OH} = -1 mA	3.0		4.5	V
Low-level output voltage	V _{OL1}	EFMO: I _{OL} = 1 mA			1	V
	V _{OL2}	CLV ⁺ , CLV ⁻ , V $\overline{\text{P}}$, P0 to P4, PCK, FSEQ, TOFF, TGL, JP ⁺ , JP ⁻ , 16M, EMPH, LRCKO, DACKO, DFOLO, DFORO, GAIN, MUTEL, MUTER, DOUT, EFLG, TEST6, FSX, WRQ, SQOUT, TST11, DQSY, 4.2M, SRDT, LRSY, CK2, ROMXA, C2F: I _{OL} = 4 mA			0.4	V
	V _{OL3}	HDCD: I _{OL} = 12 mA			0.4	V
	V _{OL4}	LCHP, LCHN, RCHP, RCHN: I _{OH} = 1 mA	0.5		2.0	V
Output off leakage current	I _{OFF1}	PDO, CLV ⁺ , CLV ⁻ , JP ⁺ , JP ⁻ , P0 to P4, EMPH, SQOUT, EFMO: In the high-impedance output state	-10		+10	μA
Charge pump output current	I _{PDOH}	PDO: R _{ISSET} = 68 kΩ	64	80	96	μA
	I _{PDOL}	PDO: R _{ISSET} = 68 kΩ	-96	-80	-64	μA

D/A Converter Block Analog Characteristics at $T_a = 25^\circ\text{C}$, $V_{DD} = LV_{DD} = RV_{DD} = XV_{DD} = VV_{DD} = 5\text{ V}$, $V_{DD3V} = 3.3\text{ V}$, $V_{SS} = LV_{SS} = RV_{SS} = XV_{SS} = VV_{SS} = 0\text{ V}$.

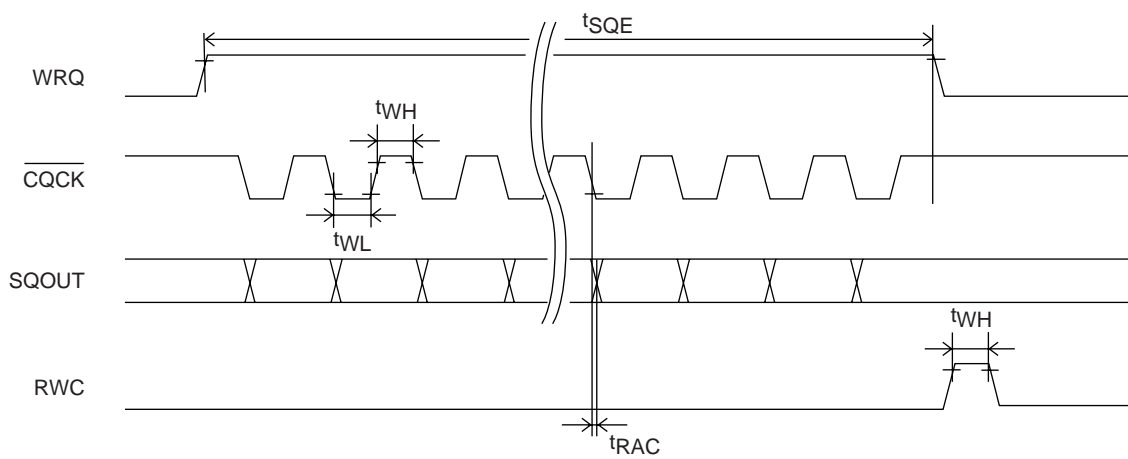
Parameter	Symbol	Conditions	Ratings			Unit
			min	typ	max	
Total harmonic distortion	THD + N	LCHP, LCHN, RCHP, RCHN; 1 kHz: 0 dB data input With the 20 kHz low-pass filter (internal AD725D) used.		0.009	0.012	%
Dynamic range	DR	LCHP, LCHN, RCHP, RCHN; 1 kHz: -60 dB data input With the 20 kHz low-pass and A filters (internal AD725D) used.	83	86		dB
Signal-to-noise ratio	S/N	LCHP, LCHN, RCHP, RCHN; 1 kHz: 0 dB data input With the 20 kHz low-pass and A filters (internal AD725D) used.	98	103		dB
Crosstalk (separation)	CT	LCHP, LCHN, RCHP, RCHN; 1 kHz: 0 dB data input With the 20 kHz low-pass filter (internal AD725D) used.	96	98		dB

Note: Measured in the normal speed playback of the Sanyo 1-bit D/A converter reference circuit.



A12797

Figure 1 Command Input



A12798

Figure 2 Subcode Q Output

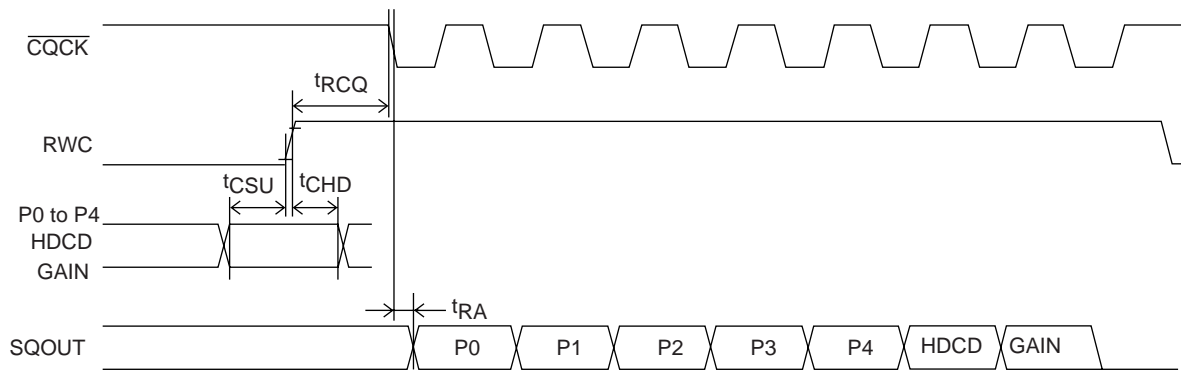


Figure 3 General-Purpose Port Input Timing

A12799

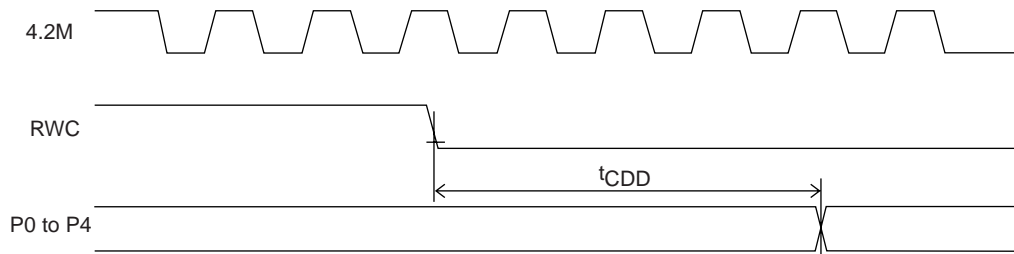


Figure 4 General-Purpose Port Output Timing

A12800

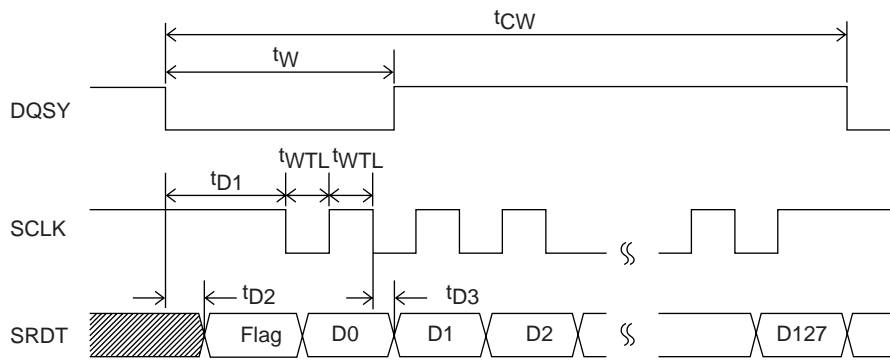
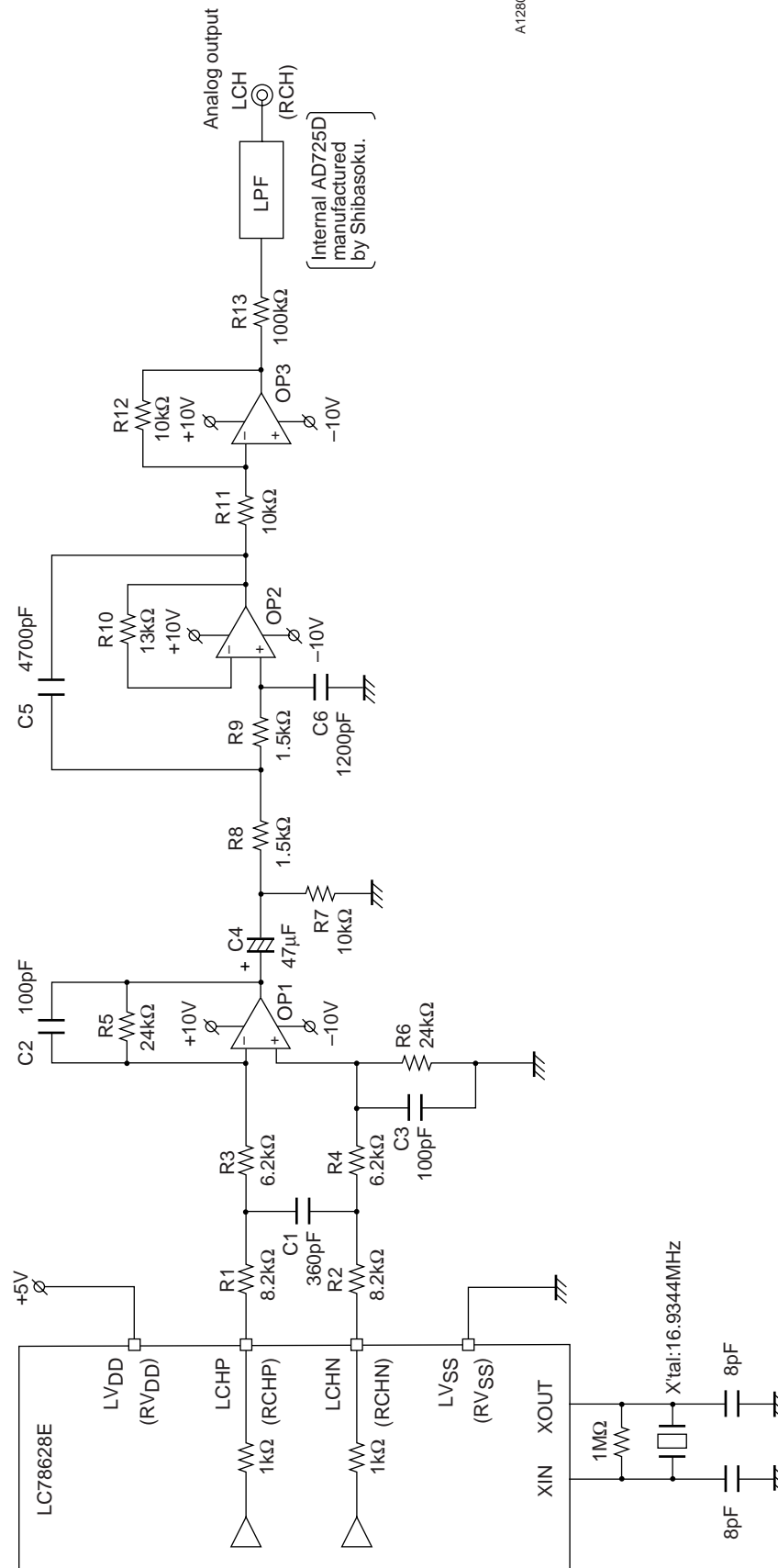


Figure 5 Text Data Output Timing

A12801

Reference Circuit for the 1-Bit D/A Converter Output Block



A12802

Pin Functions

Pin No.	Pin	I/O	Function	
1	DEFI	I	Defect detection signal (DEF) input (Must be connected to 0 V if unused.)	
2	TAI	I	PLL-related pins	
3	PDO	O		Test input. A pull-down resistor is built in. This pin must be connected to 0 V.
4	VV _{SS}	—		External VCO control phase comparator output
5	I _{SET}	AI		Internal VCO ground. This pin must be connected to 0 V.
6	VV _{DD}	—		PDO output current adjustment resistor connection
7	FR	AI		Internal VCO power supply. 5 V system
8	V _{SS}	—	VCO frequency range adjustment resistor connection	
8	V _{SS}	—	Ground. This pin must be connected to 0 V.	
9	V _{SS}	—	Ground. This pin must be connected to 0 V.	
10	EFMO	O	Slice level control	
11	EFMIN	I		EFM signal output
12	TEST2	I	EFM signal input	
12	TEST2	I	Test input. A pull-down resistor is built in. This pin must be connected to 0 V.	
13	CLV+	O	Spindle control servo outputs. CLV+ outputs a high level for accelerate, and CLV- outputs a high level for decelerate. A command is provided to set these pins to three-state output.	
14	CLV-	O		
15	V \bar{P}	O	Automatic rough servo/phase control switching monitor output. A high level indicates rough servo and a low level indicates phase control.	
16	V _{DD}	—	5 V system power supply	
17	P4	I/O	General-purpose I/O port. If unused, this port must either be set to input mode and connected to the 0 V level, or be set to output mode and left open.	
18	PCCL	I	General-purpose I/O command identification. A pull-down resistor is built in. High: Only general-purpose I/O port commands can be used for control Low: All commands can be used for control.	
19	HFL	I	Track detection signal input. This is a Schmitt input.	
20	TES	I	Tracking error signal input. This is a Schmitt input.	
21	PCK	O	EFM data reproduction clock monitor output. Outputs 4.3218 MHz when the phase is locked.	
22	FSEQ	O	Synchronizing signal output. Outputs a high level if the synchronizing signal detected from the EFM signal and the internally generated synchronizing signal match.	
23	TOFF	O	Tracking off state output	
24	TGL	O	Tracking gain switching output. A low level output raises the gain.	
25	HDCD	O	HDCD identification output. High: An HDCD disc is being played, Low: A normal disc is being played.	
26	TEST3	I	Test input. A pull-down resistor is built in. This pin must be connected to 0 V.	
27	V _{DD3V}	—	3 V system power supply	
28	JP+	O	Track jump outputs. JP+: A high level indicates either acceleration during a jump towards outer tracks, or deceleration during a jump towards inner tracks. JP-: A high level indicates either acceleration during a jump towards inner tracks, or deceleration during a jump towards outer tracks. A command is provided to set these pins to three-state output.	
29	JP-	O		
30	16M	O	16.9344 MHz clock output	
31	TEST4	I	Test input. A pull-down resistor is built in. This pin must be connected to 0 V.	
32	EMPH	I/O	Deemphasis monitor output/input. A high level is output during playback of a deemphasis disc. When external data is applied to the HDCD filter engine, this pin is used for deemphasis switching. After a reset, this pin goes to monitor output mode in the high-impedance state.	
33	LRCKO	O	HDCD filter engine output word clock (8fs) or L/R clock output from the HDCD decoder (1fs).	
34	DFORO	O	HDCD filter engine output right channel data (8fs)	
35	DFOLO	O	HDCD filter engine output left channel data (8fs) or L/R data output from the HDCD decoder (1fs).	
36	DACKO	O	HDCD filter engine output bit clock (8fs) or HDCD decoder output bit clock (1fs).	
37	GAIN	O	Analog output stage gain indicator In internal gain scaling mode, this pin always outputs a high level (unused). Gain scaling is performed internally. Normal discs are -6 dB. When external gain scaling is used, peak extend should be turned on when this pin is high, and should be turned off when this output is low.	
38	P0	I/O	General-purpose I/O port. If unused, this port must either be set to input mode and connected to the 0 V level, or be set to output mode and left open.	
39	P1	I/O	General-purpose I/O port. If unused, this port must either be set to input mode and connected to the 0 V level, or be set to output mode and left open.	
40	P2	I/O	General-purpose I/O port. If unused, this port must either be set to input mode and connected to the 0 V level, or be set to output mode and left open.	
41	P3	I/O	General-purpose I/O port. If unused, this port must either be set to input mode and connected to the 0 V level, or be set to output mode and left open.	

Continued on next page.

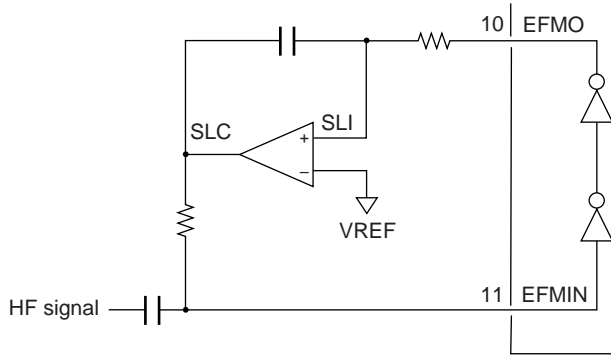
Continued from preceding page.

Pin No.	Pin	I/O	Function	
42	XV _{DD}	—	Crystal oscillator power supply. 5 V system.	
43	X _{IN}	I	Connections for the 16.9344 crystal element and capacitors. Since no feedback resistor is built in, an external feedback resistor must be provided.	
44	X _{OUT}	O		
45	XV _{SS}	—	Crystal oscillator ground. This pin must be connected to 0 V.	
46	MUTEL	O	Left channel audio data mute detection output	
47	LV _{DD}	—	Power supply. 5 V system.	
48	LCHP	O	Left channel audio data P output	
49	LCHN	O	Left channel audio data N output	
50	LV _{SS}	—	Ground. This pin must be connected to 0 V.	
51	RV _{SS}	—	Ground. This pin must be connected to 0 V.	
52	RCHN	O	Right channel audio data N output	
53	RCHP	O	Right channel audio data P output	
54	RV _{DD}	—	Power supply. 5 V system.	
55	MUTER	O	Right channel audio data mute detection output	
56	DOUT	O	Digital output	
57	LRCKI	I	Left/right clock input for external data input to the HDCD filter engine (1fs)	
58	EFLG	O	C1/C2 single/double error correction monitor output	
59	DATAI	I	Data input for external data input to the HDCD filter engine (20 bits)	
60	TEST6	O	Test output. Outputs the subcode frame sync signal. This pin must be left open when used.	
61	BCKI	I	Bit clock input for external data input to the HDCD filter engine (48fs)	
62	FSX	O	Outputs the 7.35 kHz sync detection signal divided from the crystal oscillator clock.	
63	WRQ	O	Subcode Q output standby (ready) state output	
64	RWC	I	Read/write control input. This is a Schmitt input.	
65	SQOUT	O	Subcode Q output	
66	COIN	I	Input for commands from the microcontroller	
67	$\overline{\text{CQCK}}$	I	Command input acquisition clock input, or clock input for readout of subcode data from SQOUT. This is a Schmitt input.	
68	$\overline{\text{RES}}$	I	IC reset input. Applications must apply a low level to this pin after power is first applied.	
69	TST11	O	Test output. This pin must be left open (it normally outputs a low level).	
70	SCLK	I	Text data shift clock input	
71	DQSY	O	Text data readout permission output	
72	4.2M	O	4.2336 MHz output	
73	SRDT	O	Text data output	
74	TEST5	I	Test input. A pull-down resistor is built in. This pin must be connected to 0 V.	
75	$\overline{\text{CS}}$	I	Chip select input. A pull-down resistor is built in. (This pin must be connected to 0 V when not controlled.)	
76	LRSY	O	Left/right clock output	
77	CK2	O	Bit clock output (at reset)	Polarity inverted clock output (in CK2CON mode)
78	ROMXA	O	Interpolated data output (at reset)	ROM data output (in ROMXA mode)
79	CF2	O	C2 flag output	
80	TEST1	I	Test input. There is no built-in pull-down resistor. This pin must be connected to 0 V.	

Note: The equal power-supply voltage must be applied to all the 5 V system power supply pins.

Internal Functions

1. HF signal input circuit — Pin 11: EFMIN, pin 10: EFMO, pin 1: DEFI, pin 13: CLV⁺



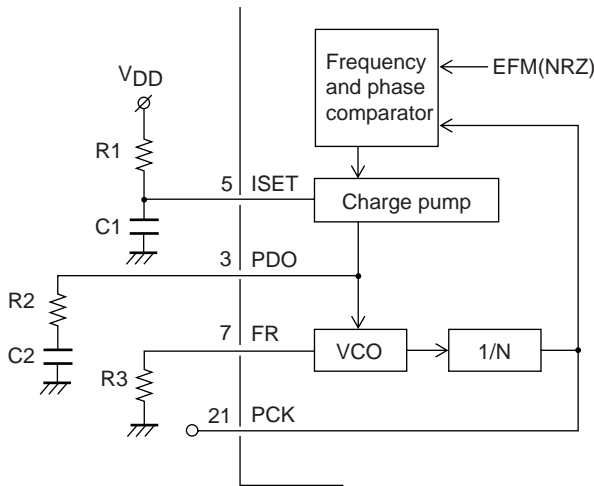
A12803

When an HF signal is input to the EFMIN pin, an EFM signal (NRZ) sliced at the optimal level is acquired. As a measure to handle defects, when the DEFI pin (pin 1) goes high, the slice level controller output from the EFMO pin (pin 10) goes to the high-impedance state, and the slice level is held. However, this is only valid when the CLV circuit is in phase control mode, that is, when the V_P pin (pin 15) is outputting a low level.

This function can be implemented in combination with the DEF pin from an LA9230/9240 series product.

*: If the EFMIN and CLV⁺ lines are run close together, the error rate may increase due to spurious radiation. We recommend inserting either a ground or V_{DD} shield line between these lines.

2. PLL clock regeneration circuit — Pin 3: PDO, pin 5: ISET, pin 7: FR, pin 21: PCK



A12804

The LC78628E includes a built-in VCO circuit, and a PLL circuit is formed by adding external resistors and capacitors. The ISET pin sets the charge pump reference current, PDO sets the VCO circuit loop filter, and FR sets the VCO frequency range.

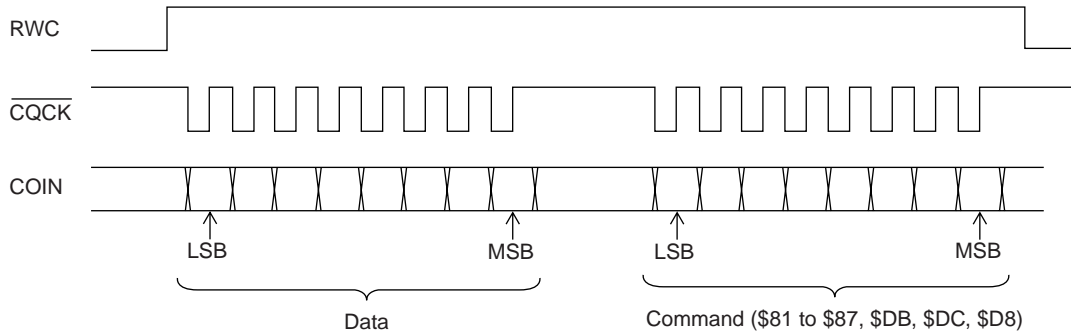
Sample values for reference purposes:

- R1 = 68 kΩ, C1 = 0.1 μF
- R2 = 680 Ω, C2 = 0.1 μF
- R3 = 1.2 kΩ

Code	Command	Frequency divisor	$\overline{\text{RES}} = \text{low}$
\$AC	VCO × 2 SET	1	
\$AD	VCO × 1 SET	2	
\$AE	VCO × 0.5 SET	0.5	○

The divisor used by the divider to create PCK from the VCO can be set using the VCO × 2, VCO × 1, and VCO × 0.5 SET instructions. Normally, the circuit operates in the VCO × 0.5 SET state after a reset.

- Two-byte commands (RWC set once)



A12807

- Command noise reduction

Code	Command	$\overline{\text{RES}} = \text{low}$
\$FE	Command input noise reduction mode	
\$EE	Reset command input noise reduction mode	○

This command reduces noise on the $\overline{\text{CQCK}}$ signal. Although this command is effective for noise pulses of less than 500 ns, the $\overline{\text{CQCK}}$ timing parameters t_{WL} , t_{WH} , and t_{SU} must all be set to 1 μs or longer.

- PCCL

The PCCL control pin is provided to allow the use of certain commands for which command transfer is disabled during track check, track jump, and internal motor braking operations.

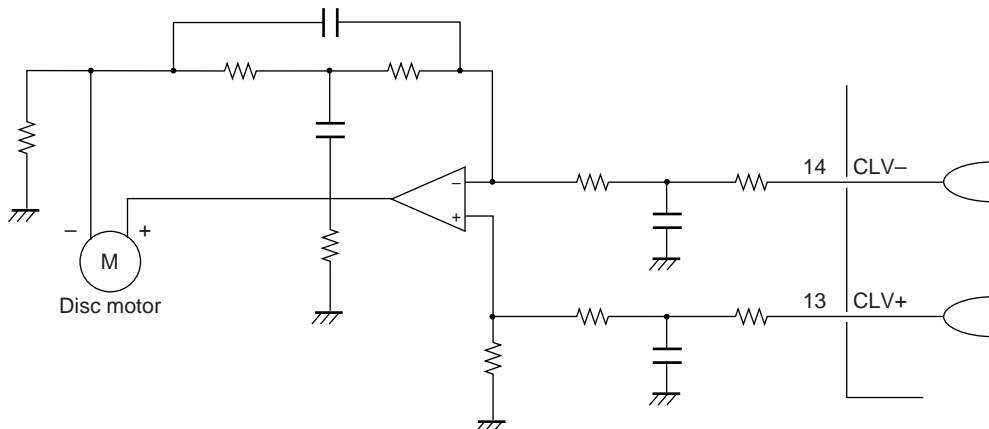
PCCL input level	Command transfer during track check, track jump, and internal motor braking operations
L	Incorrect operation occurs if a command is transferred (if a high level is applied to RWC).
H	Transfer of only the port related (\$DBXX and \$DCXX) and HDCD register setting (\$D8XX) commands is allowed.

6. CLV servo circuit — Pin 13: CLV⁺, pin 14: CLV⁻, pin 15: $\overline{\text{V/P}}$

Code	Command	$\overline{\text{RES}} = \text{low}$
\$04	Disc motor start (accelerate)	
\$05	Disc motor CLV (CLV)	
\$06	Disc motor brake (decelerate)	
\$07	Disc motor stop (stop)	○

The CLV⁺ signal accelerates the disc in the forward direction, while the CLV⁻ signal decelerates the disc. The corresponding mode, accelerate, decelerate, CLV, or stop, is selected by the command sent from the microcontroller. The table below lists the CLV⁺ and CLV⁻ outputs in each of these modes.

Mode	CLV ⁺	CLV ⁻
Accelerate	H	L
Decelerate	L	H
CLV	Pulse output	Pulse output
Stop	L	L



A12808

Note: The CLV servo control commands set the TOFF pin low during CLV mode, and high at all other times. The TOFF pin can only be controlled by commands during CLV mode.

• CLV mode

In CLV mode, the disc rotation is detected from the HF signal, and proper linear velocity rotation is achieved by changing the DSP internal modes. The basic PWM period corresponds to a frequency of 7.35 kHz. The V/P pin outputs a high level during rough servo operation and a low level during phase control.

Internal mode	CLV ⁺	CLV ⁻	V/P
Rough servo (low-speed rotation recognized)	H	L	H
Rough servo (high-speed rotation recognized)	L	H	H
Phase control (PCK locked)	PWM	PWM	L

• Rough servo gain switching

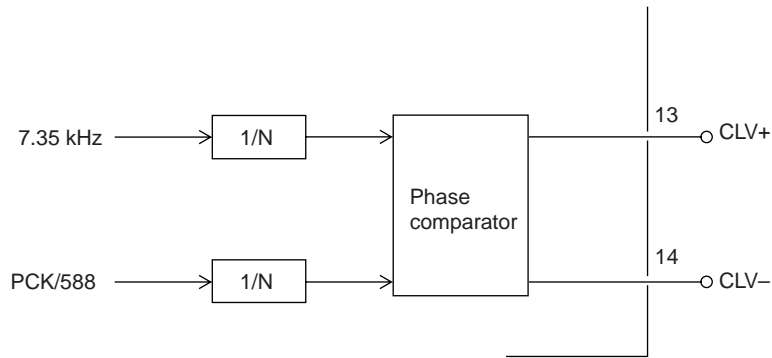
Code	Command	$\overline{\text{RES}} = \text{low}$
\$A8	Disc 8 cm Set	
\$A9	Disc 12 cm Set	○

The CLV control gain in rough servo mode can be set 8.5 dB lower for 8 cm discs than for 12 cm discs.

• Phase control gain switching

Code	Command	$\overline{\text{RES}} = \text{low}$
\$B1	CLV phase comparator divided by 2	
\$B2	CLV phase comparator divided by 4	
\$B3	CLV phase comparator divided by 8	
\$B0	CLV No phase comparator division	○

The phase control gain can be modified by switching the divisor provided by the divider circuit in the front end of the phase comparator.

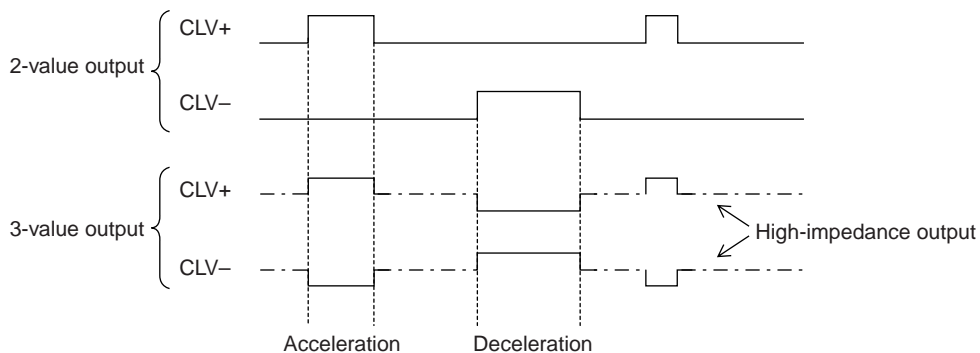


A12809

• CLV 3-value output

Code	Command	$\overline{\text{RES}} = \text{low}$
\$B4	CLV 3-value output	
\$B5	CLV 2-value output (earlier technique)	○

The CLV 3-value output command allows CLV control to be implemented using a single output pin. However, note that since the spindle gain is reduced by 6 dB, the servo side gain must be increased.

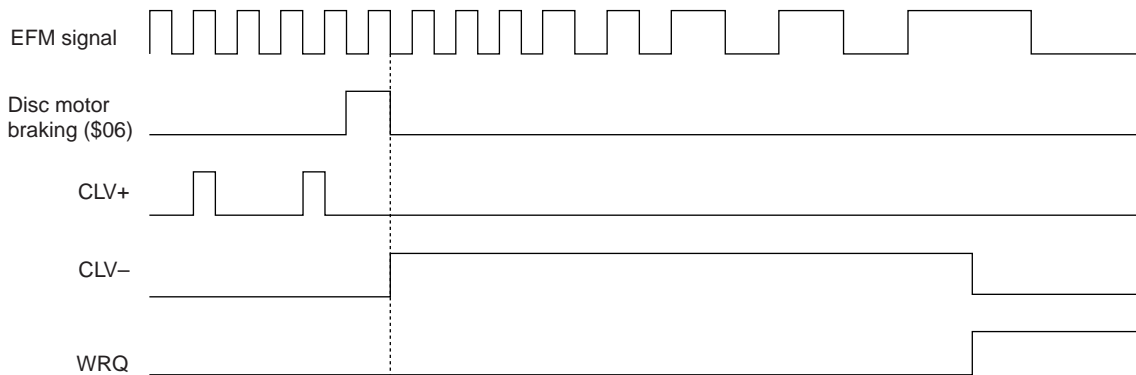


A12810

• Internal brake modes

Code	Command	$\overline{\text{RES}} = \text{low}$
\$C5	Internal braking: on	
\$C4	Internal braking: off	○
\$A3	Internal braking: control	
\$CB	Internal braking continuous mode	
\$CA	Reset continuous mode	○
\$CD	Internal braking TON mode	
\$CC	Reset TON mode	○

- Issuing the internal braking on (\$C5) command sets the LC78628E to internal brake mode. In this mode, the disc deceleration state can be monitored from the WRQ pin when a brake command (\$06) is executed.
- In this mode the disc deceleration state is determined by counting the EFM signal density in a single frame, and when the EFM signal count falls under four, the CLV⁻ pin is dropped to low. At the same time the WRQ signal, which functions as a brake completion monitor, goes high. When the microprocessor detects a high level on the WRQ signal, it should issue a STOP command to fully stop the disc. In internal braking continuous mode, the CLV⁻ pin high-level output braking operation continues even after the WRQ brake completion monitor goes high. Note that if errors occur in deceleration state determination due to noise in the EFM signal, the problem can be rectified by changing the EFM signal count from four to eight with the internal brake control command (\$A3).
- In internal braking TON mode (\$CD), the TOFF pin is held low during internal braking operations. We recommend using this feature, since it is effective at preventing incorrect detection at the disc mirror surface.



A12811

- Notes: 1. If focus is lost during the execution of an internal brake command, the pickup must first be refocused and then the internal brake command must be reissued.
 2. Since incorrect state determination is possible depending on the EFM signal playback state (e.g., disc defects, access in progress), we recommend using these functions in combination with a microprocessor.

7. Track jump — Pin 19: HFL, pin 20: TES, pin 23: TOFF, pin 24: TGL, pin 28: JP⁺, pin 29: JP⁻

• Track counting types

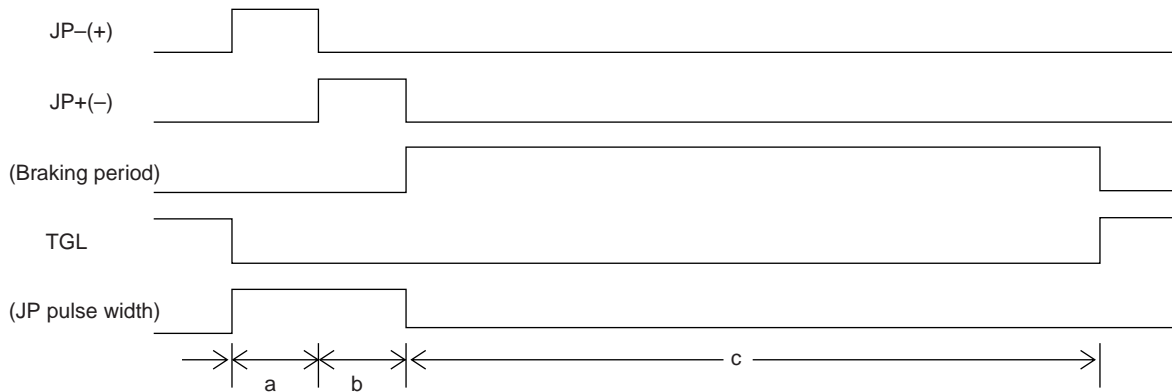
The LC78628E supports the two track count modes listed below.

Code	Command	$\overline{\text{RES}} = \text{low}$
\$22	New track count mode (using the TES/HFL combination)	○
\$23	Previous track count mode (directly counts the TES signal)	

The earlier track count function used the TES signal directly as the internal track counter clock. To reduce counting errors resulting from noise on the rising and falling edges of the TES signal, the new track count function prevents noise induced errors by using the combination of the TES and HFL signals, and implements a more reliable track count function. However, dirt and scratches on the disc can still result in HFL signal dropouts that may result in missing track count pulses. Thus care is required when using this function.

• Track jump commands

Code	Command	$\overline{\text{RES}} = \text{low}$
\$A0	Previous Track Jump Mode	○
\$A1	New Track Jump Mode	
\$11	1 TRACK JUMP IN #1	
\$12	1 TRACK JUMP IN #2	
\$31	1 TRACK JUMP IN #3	
\$52	1 TRACK JUMP IN #4	
\$10	2 TRACK JUMP IN	
\$13	4 TRACK JUMP IN	
\$14	16 TRACK JUMP IN	
\$30	32 TRACK JUMP IN	
\$15	64 TRACK JUMP IN	
\$17	128 TRACK JUMP IN	
\$19	1 TRACK JUMP OUT #1	
\$1A	1 TRACK JUMP OUT #2	
\$39	1 TRACK JUMP OUT #3	
\$5A	1 TRACK JUMP OUT #4	
\$18	2 TRACK JUMP OUT	
\$1B	4 TRACK JUMP OUT	
\$1C	16 TRACK JUMP OUT	
\$38	32 TRACK JUMP OUT	
\$1D	64 TRACK JUMP OUT	
\$1F	128 TRACK JUMP OUT	
\$16	256 TRACK CHECK	
\$0F	TOFF	○
\$8F	TON	
\$8C	TRACK JUMP BRAKE	
\$21	JP pulse period TOFF output mode	
\$20	Reset the JP pulse period TOFF output mode	○



A12812

When the LC78628E receives a track jump instruction as a servo command, it first generates accelerating pulses (period a) and next generates deceleration pulses (period b). The passage of the braking period (period c) completes the specified jump. During the braking period, the LC78628E detects the beam slip direction from the TES and HFL inputs. TOFF is used to cut the components in the TES signal that aggravate slip. The jump destination track is captured by increasing the servo gain with TGL. In JP pulse period TOFF output mode, TOFF goes high during the period that JP pulses are generated.

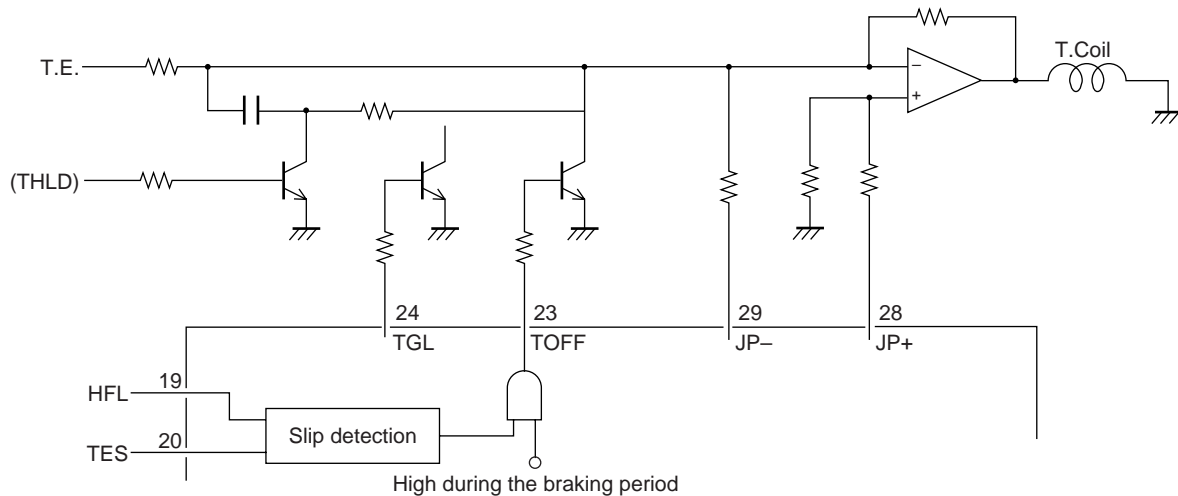
Note: Of the modes related to disc motor control, the TOFF pin goes low only in CLV mode, and will be high during start, stop, and brake operations. Note that the TOFF pin can be turned on and off independently by microprocessor issued commands. However, this function is valid only when disc motor control is in CLV mode.

• Track jump modes

The table lists the relationships between acceleration pulses (period a), deceleration pulses (period b), and the braking period (period c).

Item	Previous track jump mode			New track jump mode		
	a	b	c	a	b	c
1 TRACK JUMP IN (OUT) #1	233 μ s	233 μ s	60 ms	233 μ s	233 μ s	60 ms
1 TRACK JUMP IN (OUT) #2	0.5 track jump periods	233 μ s	60 ms	0.5 track jump periods	The same time as a	60 ms
1 TRACK JUMP IN (OUT) #3	0.5 track jump periods	233 μ s	This period does not exist.	0.5 track jump periods	The same time as a	This period does not exist.
1 TRACK JUMP IN (OUT) #4	0.5 track jump periods	233 μ s	60 ms; TOFF is low during the C period.	0.5 track jump periods	The same time as a	60 ms; TOFF is low during the C period.
2 TRACK JUMP IN (OUT)	None			1 track jump period	The same time as a	60 ms
4 TRACK JUMP IN (OUT)	2 track jump periods	466 μ s	60 ms	2 track jump periods	The same time as a	60 ms
16 TRACK JUMP IN (OUT)	9 track jump periods	7 track jump periods	60 ms	9 track jump periods	The same time as a	60 ms
32 TRACK JUMP IN (OUT)	18 track jump periods	14 track jump periods	60 ms	18 track jump periods	14 track jump periods	60 ms
64 TRACK JUMP IN (OUT)	36 track jump periods	28 track jump periods	60 ms	36 track jump periods	28 track jump periods	60 ms
128 TRACK JUMP IN (OUT)	72 track jump periods	56 track jump periods	60 ms	72 track jump periods	56 track jump periods	60 ms
256 TRACK JUMP IN (OUT)	TOFF goes high during the period when 256 tracks are passed over. The a and b period pulses are not output.		60 ms	TOFF goes high during the period when 256 tracks are passed over. The a and b period pulses are not output.		60 ms
TRACK JUMP BRAKE	There are no a and b periods.		60 ms	There are no a and b periods.		60 ms

- Notes:
1. As indicated in the table, actuator signals are not output during the 256 TRACK CHECK function. This is a mode in which the TES signal is counted in the tracking loop off state. Therefore, feed motor forwarding is required.
 2. The servo command register is automatically reset after one cycle of the track jump sequence (a, b, c) completes.
 3. If another track jump command is issued during a track jump operation, the track jump operation is immediately interrupted. Therefore, applications must not issue a new command during a jump operation. However, port related commands and the HDCD register setting command can be used by setting the PCCL pin.
 4. The 1 TRACK JUMP #3 mode does not have a braking period (the C period). Since brake mode must be generated by an external circuit, care is required when using this mode.
 5. Although there was no braking period (period c) for the 2 TRACK JUMP IN/OUT new track jump mode in the LC78620/21/25 products, in this IC (the LC78628E) the braking period for this mode has been modified to be 60 ms.

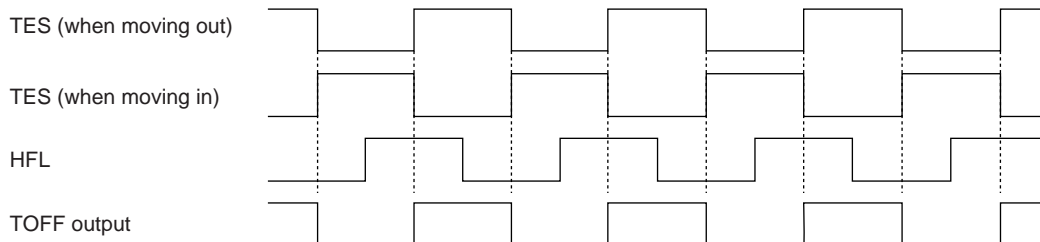


A12813

The THLD signal is generated by the LA9230/40 and the tracking error signal is held during the JP pulse period.

* Tracking brake

- The figure shows the relationships between the TES, HFL, and TOFF signals during the track jump c period. The TOFF signal is extracted from the HFL signal by TES signal edges. When the HFL signal is high, the pickup is over the mirror surface, and when low, the pickup is over pits region. Thus braking is applied based on the TOFF signal being high when the pickup is moving from a mirror region to a pits region and on TOFF being low when the pickup is moving from a data region to a mirror region in the increased gain state (TGL = low).

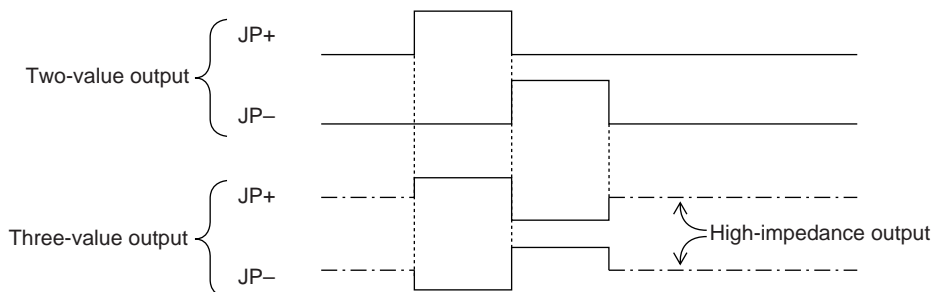


A12814

• JP three-value output

Code	Command	RES = low
\$B6	JP three-value output	
\$B7	JP two-value output (earlier technique)	○

The JP three value output command allows the track jump operation to be controlled from a single pin. However, the spindle gain is 6 dB lower when this pin is used, so applications must increase the gain in the servo system.

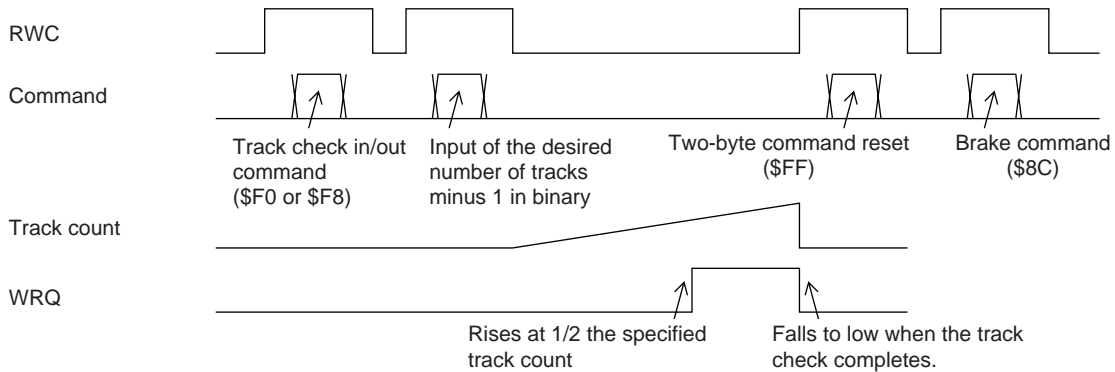


A12815

• Track check mode

Code	Command	$\overline{RES} = \text{low}$
\$F0	Track check in	
\$F8	Track check out	
\$FF	Two-byte command reset	○

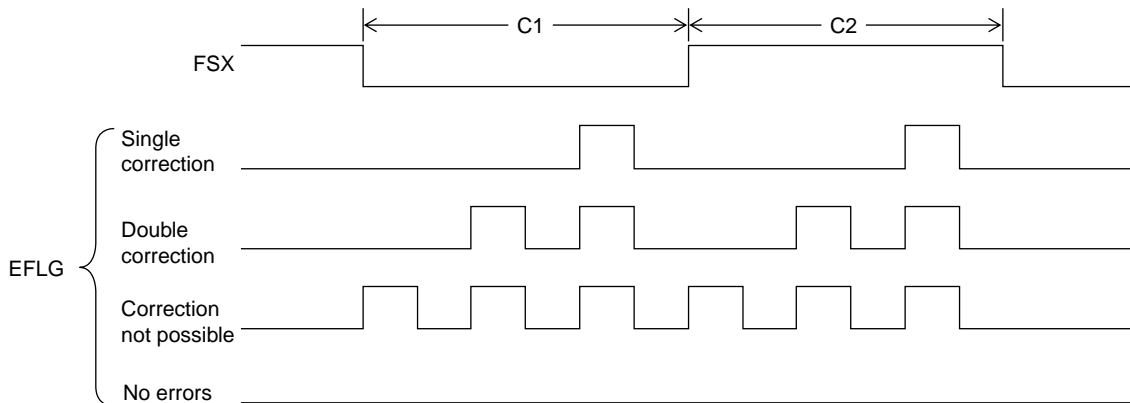
The LC78628E will count exactly one more than the specified number of tracks when the microprocessor sends an arbitrary binary value in the range 8 to 254 after issuing either a track check in or a track check out command.



A12816

- Notes:
1. When the desired track count has been input in binary, the track check operation is started by the fall of RWC.
 2. During a track check operation the TOFF pin goes high and the tracking loop is turned off. Therefore, feed motor forwarding is required.
 3. When a track check in/out command is issued the function of the WRQ signal switches from the normal mode subcode Q standby monitor function to the track check monitor function. This signal goes high when the track check is half completed, and goes low when the check finishes. The control microprocessor should monitor this signal for a low level to determine when the track check completes.
 4. If a two-byte reset command is not issued, the track check operation will repeat. That is, to skip over 20,000 tracks, issue a track check 199 command once, and then count the WRQ signal 100 times. This will check 20,000 tracks.
 5. After performing a track check operation, use the brake command to have the pickup lock onto the track.

8. Error flag output — Pin 58: EFLG, pin 62: FSX



A12817

The FSX signal is a 7.35 kHz frame sync signal generated by dividing the crystal oscillator clock. The error correction state for each frame is output from EFLG. While FSX is low, EFLG indicates the C1 correction and while FSX is high it indicates the C2 correction. The playback OK/NG state can be easily determined from the number of high level pulses that appear here.

The FSX and EFLG pins can be held at the low level by applying an FSX, TEST6, EFLG, LO command (\$0A). Applying an FSX, TEST6, EFLG, EN command (\$0B) returns the IC to the original output mode.

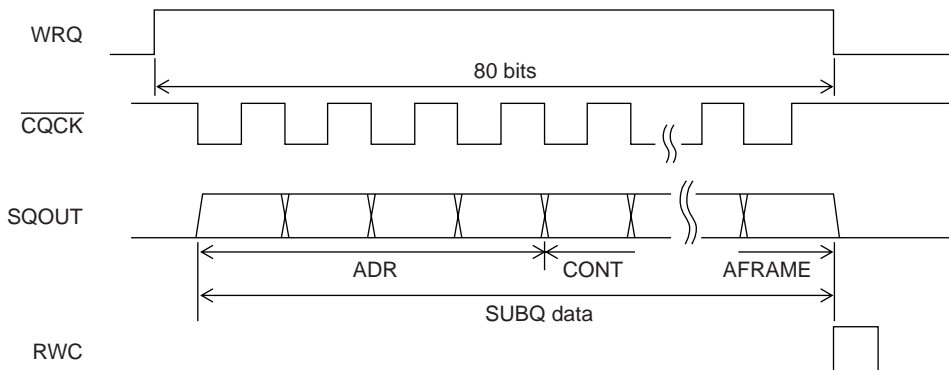
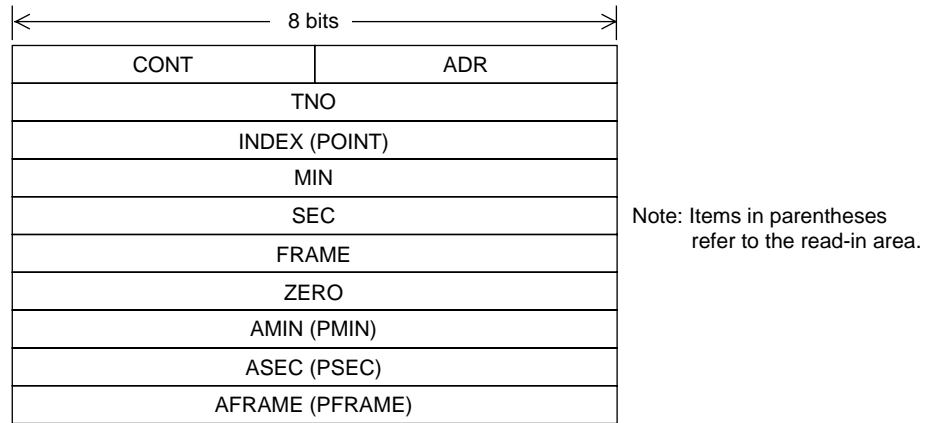
9. Subcode Q output circuit — Pin 63: WRQ, pin 64: RWC, pin 65: SQOUT, pin 67: CQCK, pin 75: CS

Code	Command	$\overline{RES} = \text{low}$
\$09	ADDRESS FREE	
\$89	ADDRESS = low	○

Subcode Q can be read from the SQOUT pin by applying a clock to the CQCK pin.

Of the eight bits in the subcode, the Q signal is used for song (track) access and display. WRQ will be high only if the data passed the CRC error check and the subcode Q format internal address is 1*. The control microprocessor can read out data from SQOUT in the order shown below by detecting this high level and applying CQCK. When CQCK is applied the DSP disables register update internally. The microprocessor gives update permission by setting RWC high briefly after reading has completed. This causes WRQ to fall to low at this time. Since WRQ falls to low 11.2 ms after going high, CQCK must be applied during the WRQ high period. Note that data is read out LSB first.

Note: * These conditions will be ignored if an address free command is sent. This is provided to handle CD-ROM applications.



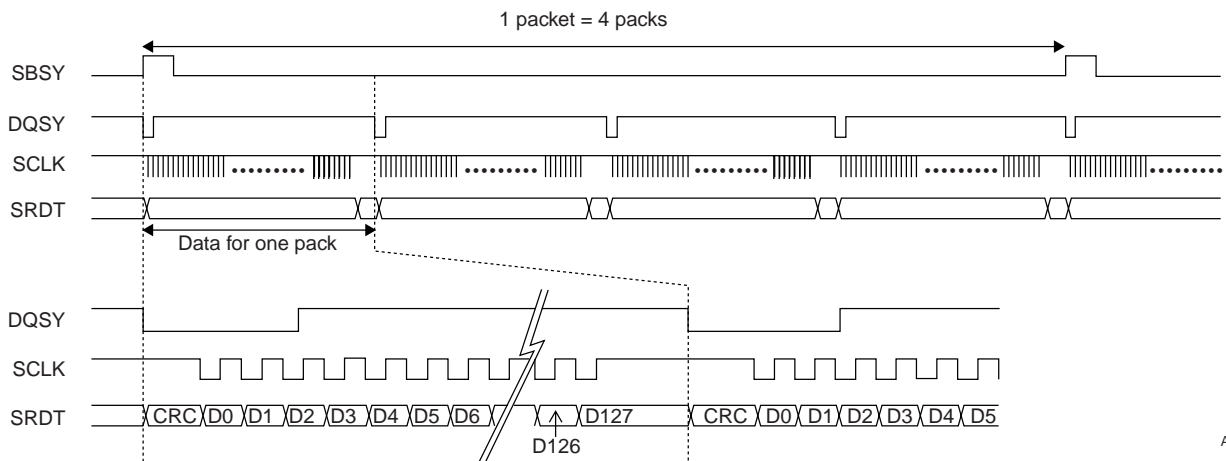
A12818

- Notes: 1. Normally, the WRQ pin indicates the subcode Q standby state. However, it is used for a different monitoring purpose in track check mode and during internal braking. (See the items on track counting and internal braking for details.)
 2. The LC78628E becomes active when the CS pin is low, and subcode Q data is output from the SQOUT pin. When the CS pin is high, the SQOUT pin goes to the high-impedance state.

10. Text circuit

The text function decodes and outputs the song titles and other text data written to the subcode R through W channels in the compact disc read entry area.

A single pack, which is the subcode R through W data for 24 symbols (18 bytes = 144 (24 × 6 = 18 × 8) bits), consists of 4 bytes of ID data, 12 bytes of text data, and 2 bytes of CRC data. The data that can be read out from the LC78628E consists of a result flag for the CRC check (1 bit) and the 16 bytes of the ID and text data. When the IC is in a state where the data can be read out, it outputs a low-level pulse (minimum: 60 μs, maximum: 150 μs) from the DQSY pin and outputs, from the SRDT pin, the CRC check result flag (OK: high, NG: low) for the one pack of data that can be read out. After the control microprocessor detects the low level on the DQSY pin, it can read out the data serially from the SRDT by applying 128 transfer clock pulses to the SCLK pin. The application must complete the readout of one pack of data within 3.3 ms in normal-speed playback mode, and within 1.5 ms in 2 × -speed playback mode. Since the type and other information concerning the following text data is encoded in the ID data, the control microprocessor must interpret the text data according to the ID data.



A12819

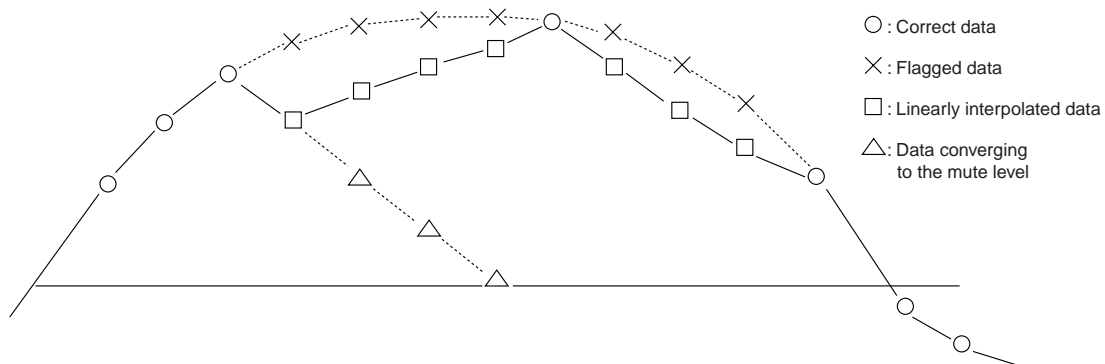
11. Muting control circuit

Code	Command	RES = low
\$01	MUTE 0 dB	
\$02	MUTE -12 dB	
\$03	MUTE ∞ dB	○

An attenuation of 12 dB (MUTE -12 dB) or full muting (MUTE ∞ dB) can be applied by issuing the appropriate command from the table. Since zero cross muting is used, there is minimal noise associated with this function. Zero cross is defined for this function as the top seven bits being all ones or all zeros. Caution: Note that it may become impossible to detect HDCD discs if either the \$02 or \$03 instruction is executed.

12. Interpolation circuit

The output of incorrect audio data that could not be corrected by the error detection and correction circuit would result in loud noise in the output. To minimize this noise, the LC78628E replaces the incorrect data with linearly interpolated data based on the correct data on either side of the incorrect data. More precisely, the LC78628E uses this technique if C2 flags occurred up to three times in a row. If C2 flags occurred four or more times in a row, the LC78628E converges the output level to the muting level. However, when correct data is finally output following four or more C2 flag occurrences, the LC78628E replaces the 3 data items between the data actually output at the fourth preceding item and the correct data with data linearly interpolated between those two values.



A12820

13. Bilingual function

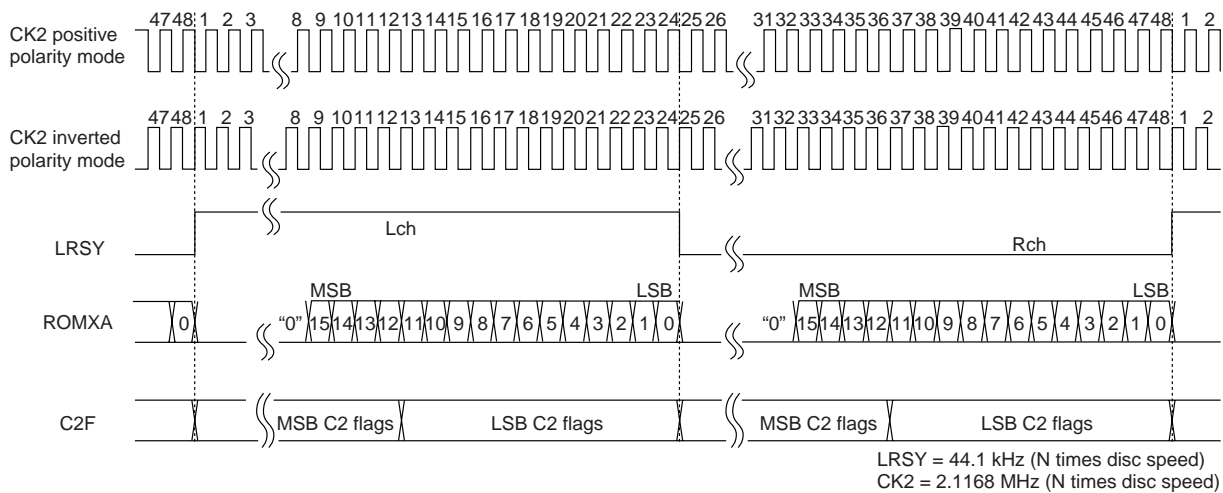
Code	Command	$\overline{\text{RES}} = \text{low}$
\$28	STO CONT	○
\$29	Lch CONT	
\$2A	Rch CONT	

- Following a reset or when a stereo (\$28) command has been issued, the left and right channel data is output to the left and right channels respectively.
- When an Lch set (\$29) command is issued, the left and right channels both output the left channel data.
- When an Rch set (\$2A) command is issued, the left and right channels both output the right channel data.
- This function applies to the 16-bit data output to the HDCD decoder and ROMXA pin. This means that it may become impossible to recognize HDCD discs when either the Lch CONT or Rch CONT mode in this function has been set up.

14. CD-ROM outputs — Pin 76: LRSY, pin 77: CK2, pin 78: ROMXA, pin 79: C2F

Although the LC78628E is initially set up to output audio data from the interpolation circuit MSB first from the ROMXA pin in synchronization with the LRSY signal, it can be switched to output CD-ROM data by issuing a CD-ROMXA command. Since this data has not been processed by the interpolation, muting, and other digital circuits, it is appropriate for input to a CD-ROM encoder IC. CK2 is a 2.1168 MHz clock, and data is output on the CK2 falling edge. However, this clock polarity can be inverted by issuing a CK2 polarity inversion command. C2F is the flag information for the data in 8-bit units.

Code	Command	$\overline{\text{RES}} = \text{low}$
\$88	CD-ROMXA	
\$8B	CD-ROM XA reset	○
\$C9	CK2 polarity inversion	



A12821

15. Digital output circuit — Pin 56: DOUT

This output pin is provided for use with a digital audio interface. Data is output in the EIAJ format. The data output from DOUT can be switched as listed below by the ROMXA flag set by the CD-ROMXA (\$88) or CD-ROMXA reset (\$8B) commands and by the SPDHDCD flag in the HDCD control register.

SPDHDCD	ROMXA	Data output from the DOUT pin	$\overline{\text{RES}} = \text{low}$
0	0	16-bit audio data after interpolation and muting processing	○
0	1	16-bit data before interpolation and muting processing	
1	0	20-bit audio data following HDCD processing.	
1	1		

The following table lists the DOUT related commands. See the item on the HDCD control register for details on the method for setting the SPDHDCD flag.

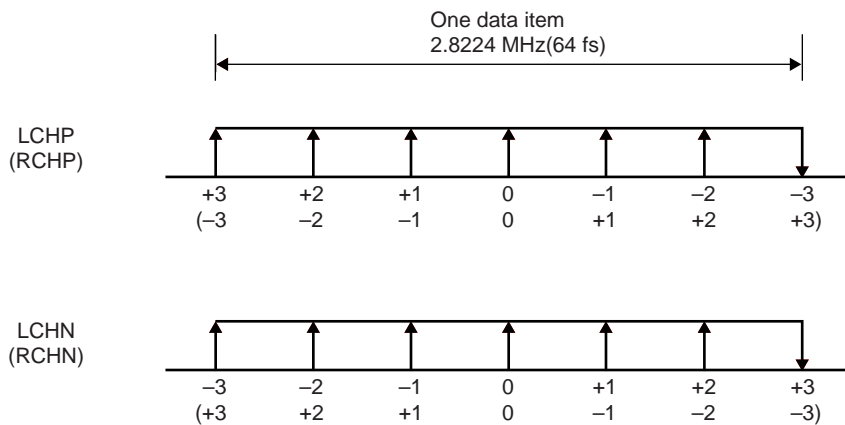
Code	Command	Function	$\overline{\text{RES}} = \text{low}$
\$42	DOUT ON	Enabled state for output of the various data types from DOUT.	○
\$43	DOUT OFF	Sets the DOUT output to be fixed at the low level.	
\$40	UBIT ON	Of the DOUT data, the subcodes Q through W are output as the UBIT information.	○
\$41	UBIT OFF	Of the DOUT data, the UBIT information is set to all zeros.	
\$88	CDROM-XA	The ROMXA flag is set to 1.	
\$8B	ROMXZ-RST	The ROMXA flag is set to 0.	○

16. One-bit D/A converter — Pin 48: LCHP, pin 49: LCHN, pin 52: RCHN, pin 53: RCHP, pin 46: MUTEL, pin 55: MUTER

The LC78628E PWM block outputs a single data value in the range -3 to +3 once every 64 fs period. To reduce carrier noise, this block adopts an output format in which each data switching block is adjusted so that the PWM output level does not invert. This block outputs a positive phase signal to the LCHP (RCHP) pin and a reverse phase signal to the LCHN (RCHN) pin. High-quality analog signals can be acquired by taking the differences of these two output pairs using external low-pass filters. Note that the LC78628E includes built-in radiation suppression resistors (1 kΩ) in each of the LCHP/N and RCHP/N pins.

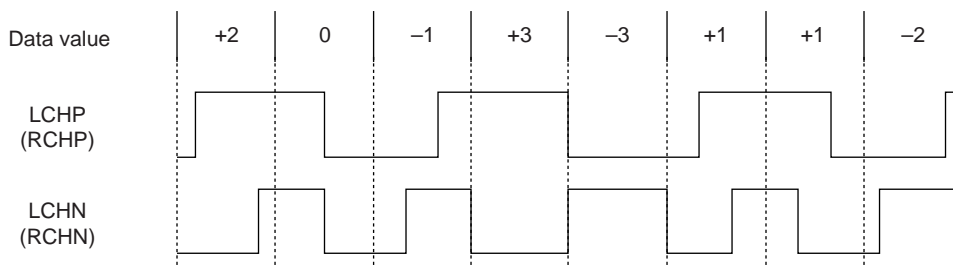
Additionally, if the played back song data (source signal) goes to zero continuously for longer than a certain fixed period (about 100 ms in normal-speed playback), the IC goes to D/A converter muting mode and outputs zero-valued data (a 50/50 duty). Since this zero detection function operates independently for the left and right channels, when zero is detected and muting mode is turned on, a high level is output from either the MUTEL or MUTER pin, according to the channel in which zero was detected.

PWM output format



A12822

PWM output example



A12823

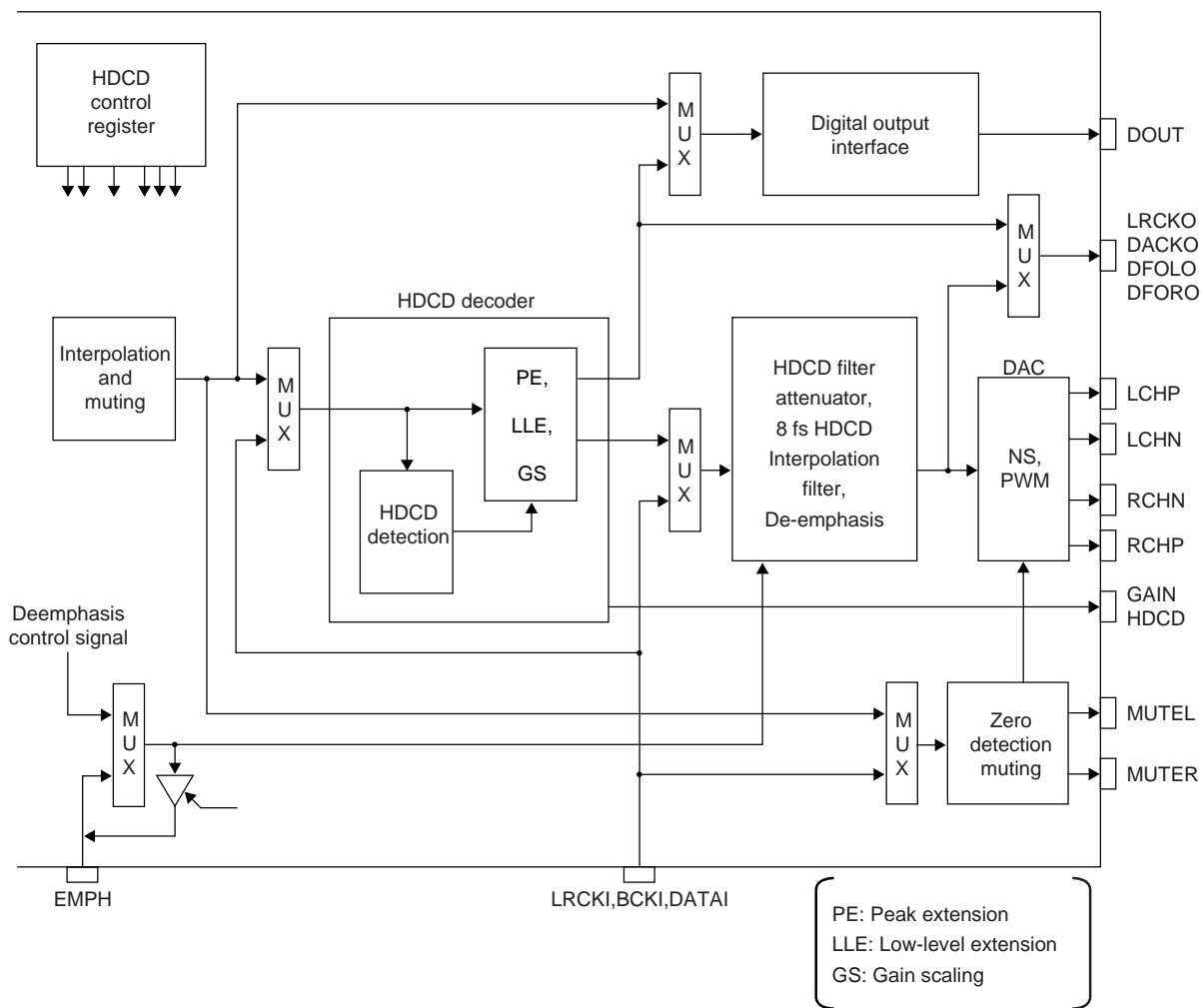
The source signal for the zero detection D/A converter muting circuit can be switched as shown below by the XDSEL flag in the HDCD control register.

XDSEL	Zero detection D/A converter muting circuit source signal	$\overline{RES} = \text{low}$
0	16-bit data read from the disc	○
1	Data input from the LRCKI, BCKI, and DATAI pins	

When data with value other than zero is input as a source signal, the mute detection circuit immediately turns off and the MUTEL or MUTER pin returns to the low level.

17. HDCD function

- Detailed block diagram of the HDCD function area



A12824

• HDCD block functions

- Automatic discrimination of HDCD encoded discs
- PE, GS, and LLE processing (HDCD decoder block)
- HDCD and GAIN signal output
- $8 \times$ oversampling HDCD filters, deemphasis, and attenuation (HDCD filter block)
- Output of HDCD decoded signals to the digital interface block
- Output of HDCD decoded signals to LRCKO, DACKO, and DFOLO
- Output of HDCD filtered signals from LRCKO, DACKO, DFOLO, and DFORO
- Output of HDCD filtered signals to the D/A converter block
- HDCD filter block source signal switching

Peak Extension (PE)

HDCD includes a function called peak extension. Peak extension is an optional function that applies a digitally implemented soft limit (6 dB) to rare peaks in the music signal before recording on the disc. HDCD discs include ones to which peak extension has been applied, and ones to which peak extension has not been applied. The LC78628E HDCD decoder block automatically detects this optional peak extension processing and restores the attenuated peaks to their original shape.

Gain Scaling (GS)

After decoding, recordings to which peak extension was applied have peaks that are 6 dB higher, and the D/A converter must reproduce these peaks. Therefore, the D/A converter input block average level is reduced by 6 dB. This average level must be matched to the average level when recordings made without peak extension or non-HDCD recordings are played back. This average level adjustment is called gain scaling (GS).

The LC78628E allows applications to switch between performing this gain scaling digitally within the IC or externally using analog circuits. The EXSCA flag in the HDCD control register is used for this setting. The GAIN pin is used as the control signal if gain scaling is performed in the analog domain.

EXSCA	Gain scaling type	$\overline{\text{RES}} = \text{low}$
0	Digital gain scaling	○
1	Analog gain scaling	

Low-Level Extension (LLE)

HDCD includes a function called low-level extension. This is a function that compares the average level of a song to a threshold level and raises that average level (i.e., it compresses the low levels). This is an optional function, and there are both HDCD recordings that are made with low-level extension, and ones in which it is not used. The LC78628E automatically recognizes low-level extension discs and returns compressed low levels to their original values.

HDCD Signal Output — Pin 25: HDCD

If the disc being played back was HDCD encoded, the HDCD output pin outputs a high level. At all other times it outputs a low level. This pin output can be used in end products to provide an LED indicator that indicates when an HDCD disc is being played. The HDCD signal can also be read by the control microprocessor using the port input instruction.

Gain Signal Output — Pin 37: GAIN

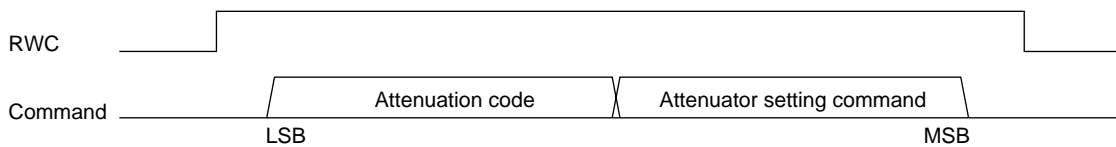
The GAIN pin is used when gain scaling is performed in the analog domain. This pin must be left open if gain scaling is performed in the digital domain.

When analog gain scaling is used, a high level is output from the GAIN pin to indicate that peak extension processing had been applied to the disc being played back. A low level is output from the GAIN pin for HDCD discs that did not have peak extension applied and for non-HDCD discs. For analog domain gain scaling, the application must include an external circuit that, when the GAIN pin output level is high, increases the output level by 6 dB over the level when the pin output level is low. The GAIN signal can also be read out using the port input instruction.

Digital Attenuator

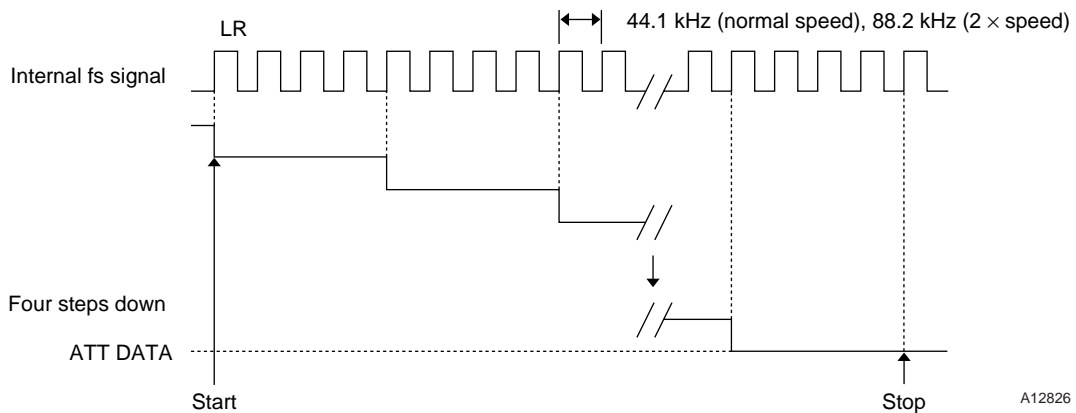
The HDCD filter block includes a digital attenuator that allows the attenuation level to be set in 0.5 dB steps with commands. After a reset, the attenuation level goes to fully muted (the $-\infty$ muted state with an attenuation code of \$00). This means that applications must set the attenuation code to \$FF (the maximum setting value) to output the audio signal. The attenuation code can be set to one of 256 values from \$00 to \$FF (0.5 dB steps) by applying commands from the control microprocessor. The setting command is a 2-byte command. This command differs from the 2-byte command used for track checking, and is the type where 16 bits of command data are transferred consecutively after setting RWC high. There is no need to send the 2-byte command reset instruction (\$FF) after using this command. (See the “Two-byte commands (RWC set once)” section on page 13.)

Code	Command	RES = low
\$81xx	ATT DIRECT SET	DATA \$00 SET (ATT $-\infty$ dB)
\$82xx	ATT 4-STEP UP	
\$83xx	ATT 4-STEP DOWN	
\$84xx	ATT 8-STEP UP	
\$85xx	ATT 8-STEP DOWN	
\$86xx	ATT 16-STEP UP	
\$87xx	ATT 16-STEP DOWN	



A12825

The attenuator STEP UP/DOWN commands (\$82xx to \$87xx) can be used to gradually change the attenuation level to the target value in one code step (0.5 dB) at a time every 4, 8, or 16 samples. The target value can be loaded directly by using the attenuator DIRECT SET command (\$81xx).



A12826

When the attenuator STEP UP command is used, the target attenuation code must have a larger value than the code set at that point. When the attenuator STEP DOWN command is used, inversely, the target attenuation code must have a smaller value than the code set at that point. Also note that when either the attenuator STEP UP or DOWN command is issued, the next attenuator setting command must not be issued until the preceding STEP UP/DOWN command has completed, i.e. the circuit has reached the target value.

The following formula can be used to estimate the time required for the attenuation value to reach the target value set by an attenuator STEP UP/DOWN command.

$$\frac{(\text{target code} - \text{current code}) \times (4, 8, \text{ or } 16)}{44.1 \text{ kHz (normal speed) or } 88.2 \text{ kHz (2} \times \text{ speed)}} \quad [\text{ms}]$$

The attenuator can be set in 0.5 dB steps, and the amount of attenuation can be calculated from the following formula.

$$\text{attenuation} = (\text{data value} - 255) \times 0.5 \quad [\text{dB}]$$

Note that since this digital attenuator is located after the HDCD detection circuit, it will not affect HDCD discrimination, no matter what attenuation level is set.

8 × Oversampling HDCD Interpolation Filters

The 20-bit 1 fs data processed in the HDCD decoder block is 8 × oversampled by the 8 × oversampling HDCD interpolation filters in the HDCD filter block. However, 4 × oversampling is used in double-speed playback.

Deemphasis Filter — Pin 32: EMPH

The HDCD filter block includes a built-in deemphasis filter so that music that is recorded with preemphasis applied can be played back with deemphasis. The HDCD filter block can operate with its input taken from either the audio signal read from a disc or from the audio signal input to the LRCKI, BCKI, and DATAI pins.

The EMPH pin in an I/O pin that provides two functions:

- Monitor output for the preemphasis on/off bit for the audio signal being read out from the disc.
- Input for a signal that controls deemphasis on/off for the audio signal input to the pins.

These functions are switched by the XDSEL and EMPHOEN flags in the HDCD control register as listed below.

EMPOEN	XDSEL	EMPH pin state	Deemphasis filter control signal source	$\overline{\text{RES}} = \text{low}$
0	0	Must be tied either high or low.	The subcode Q preemphasis on/off information High: on, low: off.	○
0	1	The deemphasis on/off signal must be applied. High: on, low: off.	The signal applied to the EMPH pin High: on, low: off.	
1	0	Outputs the subcode Q preemphasis on/off information High: on, low: off.	The subcode Q preemphasis on/off information High: on, low: off.	
1	1	Do not set this mode. The IC may operate incorrectly.		

HDCD Decoded Signal Output to the Digital Interface Block

The 20-bit data processed by the HDCD decoder can be output as digital data from the DOUT pin. The average level of the output data will differ depending on the digital/analog setting for the gain scaling mode and the type of the disc being played back. The values shown in the table are levels relative to the average value of the source signal.

Disc type	GS mode	Digital scaling (EXSCA = 0)	Analog scaling (EXSCA = 1)
	PE processed HDCD disc		-6 dB
HDCD disc that was not PE processed		-6 dB	0 dB
Non-HDCD disc		-6 dB	0 dB

The 16-bit data read out from the disc can also be output from the DOUT pin. That switching is controlled by the SPDHDCD flag in the HDCD control register.

SPDHDCD	Data output from the DOUT pin	$\overline{\text{RES}} = \text{low}$
0	Pre-HDCD decoder processing 1 fs 16-bit data	○
1	Post-HDCD decoder processing 1 fs 20-bit data	

HDCD Decoded Signal Output from LRCKO, DACKO, DFOLO, and DFORO — Pin 33: LRCKO, pin 36: DACKO, pin 35: DFOLO, pin 34: DFORO

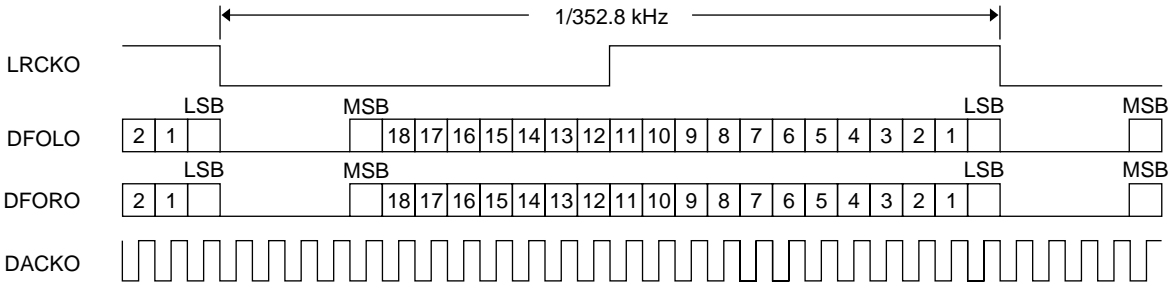
HDCD decoded 1fs 20-bit data can be output digitally from the LRCKO, DACKO, DFOLO, and DFORO pins. The output data is identical to that output from the DOUT pin.

It is also possible to output post-HDCD decoder processing HDCD processed 8 × oversampled 20-bit data (or 4 × oversampled 20-bit data in double-speed mode) from the LRCKO, DACKO, DFOLO, and DFORO pins. This 8 × oversampled signal has had internal deemphasis filtering and attenuator processing applied.

The 1FSOUT flag in the HDCD control register is used to switch between the above two types of data output.

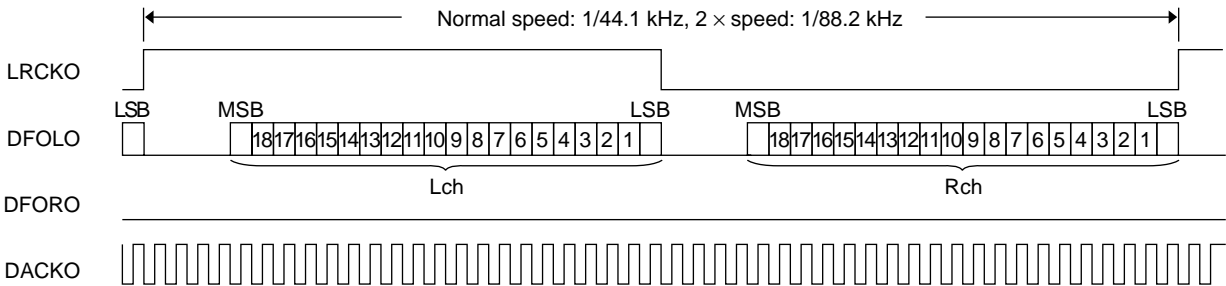
1FSOUT	Data output from LRCKO, DACKO, DFOLO, and DFORO	$\overline{\text{RES}} = \text{low}$
0	Post-HDCD filter processing 8 fs data	○
1	Pre-HDCD filter processing 1 fs data	

• Timing when IFSOUT is 0



A12827

• Timing when IFSOUT is 1



A12828

HDCD Filter Processed Signal Output to the D/A Converter Block

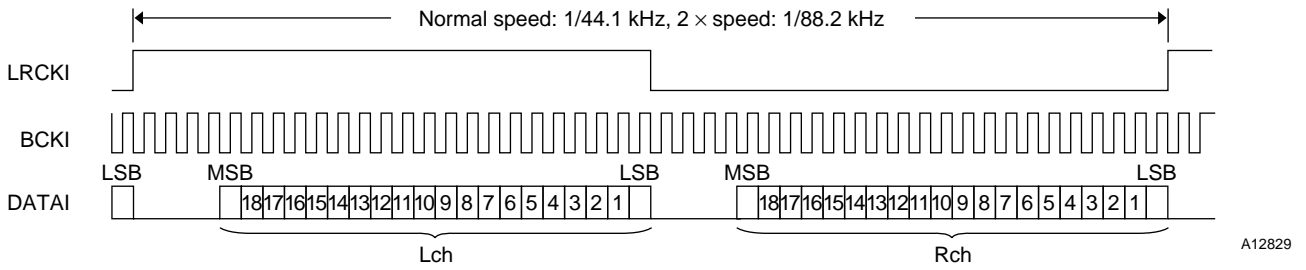
The 8 × oversampled data (4 × oversampled in double-speed playback) processed by the HDCD filter block is transferred to the internal D/A converter block, converted to PWM data, and output from the LCHP, LCHN, RCHN, and RCHP pins. This 8 × oversampling filter output signal has had internal deemphasis filtering and attenuator processing applied.

HDCD Filter Block Source Switching — Pin 57: LRCKI, pin 61: BCKI, pin 59: DATAI, pins 32: EMPH

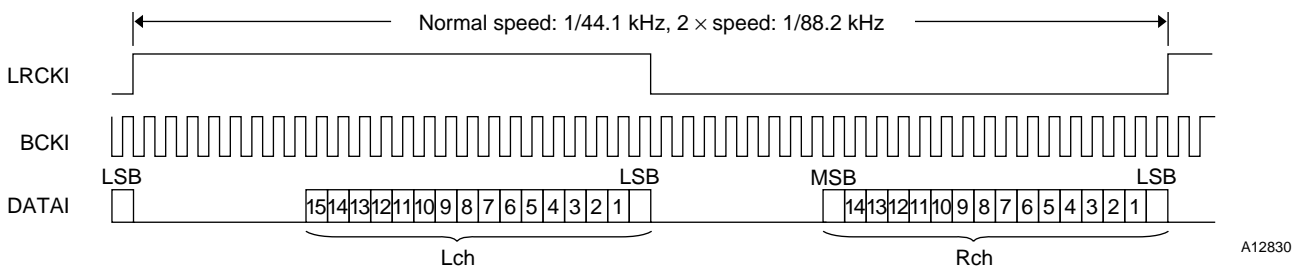
The signal to be processed in the HDCD filter block can be set to be either the 20-bit data from the HDCD decoder block or external data with the XDSETL flag in the HDCD control register. If data input from outside the IC is selected as the HDCD filter block source signal, the bit length of that data (i.e. the serial input format) can be switched as shown in the table below using the DIN16 flag in the HDCD control register.

XDSEL	DIN16	Input source signal to the HDCD filter block	$\overline{\text{RES}} = \text{low}$
0	0	HDCD decoder block 20-bit output data	○
0	1		
1	0	20-bit data input to the LRCKI, BCKI, DATAI, and EMPH pins	
1	1	16-bit data input to the LRCKI, BCKI, DATAI, and EMPH pins	

- Timing when 20-bit data is input to IC pins



- Timing when 16-bit data is input to IC pins



- Use 20-bit input mode when inputting, to the LRCKI, BCKI, and DATAI pins, post-HDCD decoding 20-bit data that was recorded on MD and using this IC's internal D/A converter for playback.
- When the HDCD filter block input source is set to pin input by setting XDSEL flag to 1, do not set the IC to CD playback state. In this case, if gain scaling is set to analog gain scaling mode, the GAIN pin will output a low level, and if set to digital gain scaling mode, it will output a high level.
- Clocks applied to the LRCKI and BCKI pins must be synchronized with the LC78628E's system clock.

HDCD Control Register (CRHDCD)

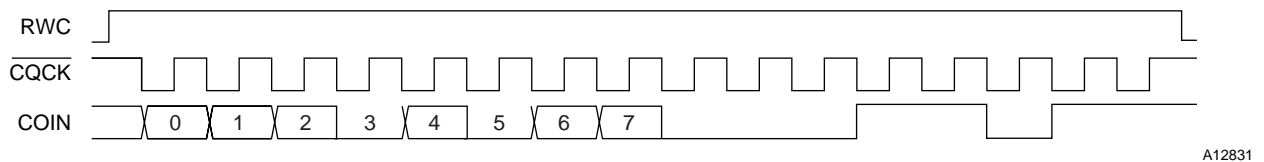
The HDCD control register consists of 6 flags used for setting the modes associated with HDCD operations. This section presents the method for setting this register and the meanings of the flags.

- Setting procedure

The HDCD control register is set using the following 2-byte command.

Instruction code: \$D8xx (2-byte command)

Here, xx corresponds to the flags in CRHDCD, and bits transferred as a high level are set to 1.



• Flag bit allocation in the register

Flag		Function	After a reset
EXSCA (bit 0)	0	The 6 dB gain scaling operation is performed internally.	○
	1	The 6 dB gain scaling operation is performed externally. The GAIN output pin is used.	
XDSEL (bit 1)	0	Data from the HDCD decoder block is applied to the HDCD filter block.	○
	1	Data input from the LRCKI, BCKI, and DATAI pins is applied to the HDCD filter block.	
1FSOUT (bit 2)	0	Data from the HDCD filter block is output from the LRCKO, DACKO, DFOLO, and DFORO pins. (8 fs)	○
	1	Data from the HDCD decoder block is output from the LRCKO, DACKO, DFOLO, and DFORO pins. (1 fs)	
Reserved (bit 3)	—	This flag must always be set to 0.	—
SPDHDCD (bit 4)	0	Pre-HDCD processing 16-bit data read out from the disc is output from the DOUT pin.	○
	1	The 20-bit data from the HDCD decode block is output from the DOUT pin.	
Reserved (bit 5)	—	This flag must always be set to 0.	—
DIN16 (bit 6)	0	The data input to the DATAI pin has a bit length of 20 bits.	○
	1	The data input to the DATAI pin has a bit length of 16 bits.	
EMPHONEN (bit 7)	0	The EMPH pin output is disabled (high impedance).	○
	1	The EMPH pin output is enabled (monitor data is output).	

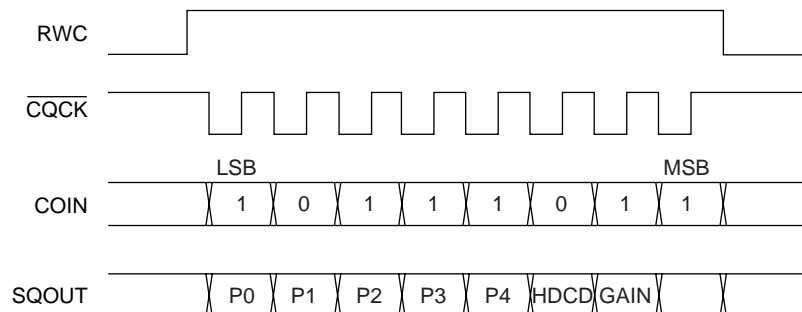
18. General-purpose I/O ports — Pin 38: P0, pin 39: P1, pin 40: P2, pin 41: P3, pin 17: P4, pin 18: PCCL

The LC78628E provides 5 I/O ports. These are set to input mode after a reset. Unused I/O port pins must either be set to input mode and connected to ground or set to output mode and left open.

Code	Command	\overline{RES} = low
\$DD	PORT READ	
\$DB	PORT I/O SET	PORT I SET
\$DC	PORT OUTPUT SET	

Applications can use the PORT READ command to read out the port information, the HDCD signal and the GAIN signal in the order P0 to P4, HDCD, GAIN from the SQOUT pin in synchronization with the falling edge of the \overline{CQCK} signal. This command has a 1-byte command format.

Only those commands related to the general-purpose ports and the HDCD control register can be used during track check, track jump, and internal motor braking operations by setting the PCCL pin. To use these commands during a track check or other operation, the application must set the PCCL pin high. (When the PCCL pin is high, the LC78628E will not accept commands other than those mentioned above.) The application must set the PCCL pin low before applying any other command. However, note that if commands are applied during a track check or other operation when the PCCL pin is low, that operation will be interrupted. These high and low levels must be applied to the PCCL pin when the RWC pin is at the low level.



A12832

Another point here is that these pins can be independently set to be used as control output pins with the PORT I/O set command. The ports are selected with the lower 5 bits of the one byte of data. The one byte of data corresponds to P0, P1, P2, P3, and P4 starting with the low order bit. This command has the two-byte command format (RWC set once).

One data byte + \$DB	PORT I/O SET
----------------------	--------------

dn = 1 ... Sets Pn to be an output pin.
 dn = 0 ... Sets Pn to be an input pin.
 n = 0 to 4

Ports set up to be output pins can independently output either a high or low level. The low order 5 bits of the one byte of data correspond to those ports. The one byte of data corresponds to P0, P1, P2, P3, and P4 starting with the low order bit. This command has the two-byte command format (RWC set once).

One data byte + \$DC	PORT OUTPUT SET
----------------------	-----------------

dn = 1 ... Outputs a high level from Pn, which is set up for output.
 dn = 0 ... Outputs a low level from Pn, which is set up for output.
 n = 0 to 4

19. Clock oscillator — Pin 43: XIN, pin 44: XOUT

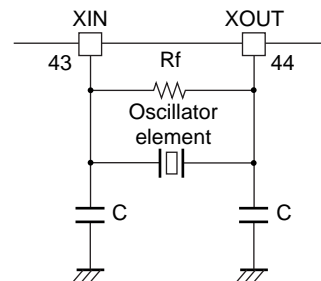
Code	Command	RES = low
\$8E	OSC ON	○
\$8D	OSC OFF	○
\$CE	XTAL 16M	○
\$C2	Normal-speed playback	○
\$C1	Double-speed playback	○

The clock that is used as the time base is generated by connecting a 16.9344 MHz oscillator element between these pins. The OSC OFF command turns off both the VCO and crystal oscillators.

When implementing a system that supports double-speed playback, the playback speed is set with either the double-speed playback command or the normal speed playback command.

Recommended oscillator element: CSA-309 (Citizen Watch Co., Ltd.)
 SCA16.93MXZ040 (Toyama Murata Mfg. Co., Ltd.)

The oscillator circuit should be located as close as possible to the IC. We recommend evaluating oscillator performance on the printed circuit board actually used to determine the values of the resistor (Rf) and capacitors (C) used.



A12833

20. 16M and 4.2M pins — Pin 30: 16M, pin 72: 4.2M

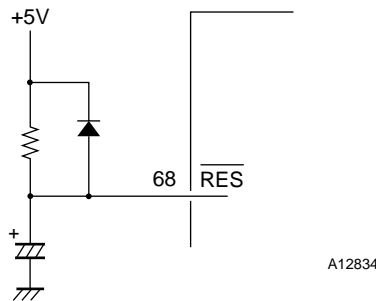
The 16M pin outputs the 16.9344 MHz clock which is output of the buffer for the 16.9344 MHz crystal oscillator. The 4.2M pin outputs a 4.2336 MHz clock signal which can be used as the system clock for an LA9230/40 Series IC. When the oscillator is turned off both these pins will be fixed at either high or low.

21. Reset circuit — Pin 68: $\overline{\text{RES}}$

When power is first applied, this pin should be briefly set low and then set high. This will set the muting to $-\infty$ dB and stop the disc motor.

CLV servo related	START	<input type="checkbox"/> STOP	BRAKE	CLV
Muting control	0 dB	-12 dB	<input type="checkbox"/> $-\infty$	
Subcode Q address condition	<input type="checkbox"/> Address 1	Address Free		
Track jump mode	<input type="checkbox"/> Previous	New		
Track count mode	Previous	<input type="checkbox"/> New		
Digital attenuator	<input type="checkbox"/> DATA0	DATA\$00 to \$FF		
OSC	<input type="checkbox"/> ON	OFF		
Playback speed	<input type="checkbox"/> Normal speed	Double-speed		

Setting the $\overline{\text{RES}}$ pin low directly sets the LC78628E to the settings enclosed in boxes in the table.



22. Other pins — Pin 2:TAI, pin 80: TEST1, pin 12: TEST2, pin 26: TEST3, pin 31: TEST4, pin 74: TEST5, pin 69: TST11, pin 60: TEST6

These pins are used for testing the IC's internal circuits. The TAI and TEST1 to TEST5 pins must be connected to ground (0 V). TST11 is an output pin, and should be left open in normal applications. TST11 normally outputs a low level. TEST6 is an output pin, and should be left open in normal applications. TEST6 outputs a low level after an FSX, TEST6, or EFLG LO instruction (\$0A) has been applied.

23. Circuit Block Operating Descriptions

• RAM address control

The LC78628E incorporates an 8-bit \times 2K-word RAM on chip. This RAM has an EFM demodulated data jitter handling capacity of ± 4 frames for bufer memory implemented using address control. The LC78628E continuously checks the remaining buffer capacity and controls the data write address to fall in the center of the buffer capacity by making fine adjustments to the frequency divisor in the PCK side of the CLV servo circuit. If the ± 4 frame buffer capacity is exceeded, the LC78628E forcibly sets the write address to the ± 0 position. However, since the errors that occur due to this operation cannot be handled with error flag processing, the IC applies muting to the output for a 128 frame period.

Position	Divisor or Handling
-4 or lower	Forcibly moves to ± 0
-3	589
-2	589
-1	589
± 0	588 Standard divisor
+1	587
+2	587
+3	587
+4 or greater	Forcibly moves to ± 0

• C1 and C2 error correction

The LC78628E writes EFM demodulated data to internal RAM to compensate for jitter and then performs the following processing with uniform timing based on the crystal oscillator clock. First, the LC78628E performs C1 error checking and correction in the C1 block, determines the C1 flags, and writes the C1 flag register. Next, the LC78628E performs C2 error checking and correction in the C2 block, determines the C2 flags, and writes data to internal RAM.

C1 Check	Correction and Flag Processing
No errors	Correction not required - flags cleared
Single error	Correction performed - flags cleared
Two errors	Correction performed - flags set
Three or more errors	Correction not possible - flags set

C2 Check	Correction and Flag Processing
No errors	Correction not required - flags cleared
Single error	Correction performed - flags cleared
Two errors	C1 flags referenced. *1
Three or more errors	C1 flags referenced. *2

- Notes: 1. If the positions of the errors determined by the C2 check agree with the those indicated by the C1 flags, the correction is performed and the flags are cleared. However, if the number of C1 flags is 7 or higher, C2 correction may fail. In this case correction is not performed and the C1 flags are taken as the C2 flags without change. Error correction is not possible if one error position agrees but the other does not. Furthermore, if the number of C1 flags is 5 or under, the C1 check result can be seen as unreliable. Accordingly, the flags will be set in this case. Cases where the number of C1 flags is 6 or more are handled in the same way, and the C1 flags are taken as the C2 flags without change. When there is not even one agreement between the error positions, error correction is, of course, impossible. Here, if the number of C1 flags was 2 or under, data that was seen as correct after C1 correction is now seen as incorrect data. The flags are set in this case. In other cases, the C1 flags are taken as the C2 flags without change.
2. When the data is determined to have three or more errors and be uncorrectable, correction is, of course, impossible. Here, if the number of C1 flags was 2 or under, data that was seen as correct after C1 correction is now seen as incorrect data. The flags are set in this case. In other cases the C1 flags are taken as the C2 flags without change.

24. Command summary table

Blank entry: Illegal command, *: Latching commands (mode setting commands),

@: Commands shared with an ASP (LA9240M/41M or similar device),

Items in parentheses are ASP commands (provided for reference purposes)

\$00	(ADJ.RESET)	\$10	2TJ IN	\$20	*In TJ mode: TOFF = low	\$30	32TJ IN
\$01	*MUTE 0 dB	\$11	1TJ IN #1	\$21	*In TJ mode: TOFF = high	\$31	1TJ IN #3
\$02	*MUTE -12 dB	\$12	1TJ IN #2	\$22	*New track count technique	\$32	
\$03	*MUTE -∞ dB	\$13	4TJ IN	\$23	*Old track count technique	\$33	
\$04	*DISC MTR START	\$14	16TJ IN	\$24		\$34	
\$05	*DISC MTR CLV	\$15	64TJ IN	\$25		\$35	
\$06	*DISC MTR BRAKE	\$16	256TC	\$26		\$36	
\$07	*DISC MTR STOP	\$17	128TJ IN	\$27		\$37	
\$08	@FOCUS START #1	\$18	2TJ OUT	\$28	*STEREO OUT	\$38	32TJ OUT
\$09	*ADDRESS FREE	\$19	1TJ OUT #1	\$29	*LCH MONAURAL OUT	\$39	1TJ OUT #3
\$0A	*FSX, TEST6, EFLG Lo	\$1A	1TJ OUT #2	\$2A	*RCH MONAURAL OUT	\$3A	
\$0B	*FSX, TEST6, EFLG EN	\$1B	4TJ OUT	\$2B		\$3B	
\$0C		\$1C	16TJ OUT	\$2C		\$3C	
\$0D		\$1D	64TJ OUT	\$2D		\$3D	
\$0E		\$1E		\$2E		\$3E	
\$0F	*TRACKING OFF	\$1F	128TJ OUT	\$2F		\$3F	

\$40	*UBIT ON	\$50		\$60		\$70	
\$41	*UBIT OFF	\$51		\$61		\$71	
\$42	*DOUT ON	\$52	1TJ IN #4	\$62		\$72	
\$43	*DOUT OFF	\$53		\$63		\$73	
\$44		\$54		\$64		\$74	
\$45		\$55		\$65		\$75	
\$46		\$56		\$66		\$76	
\$47		\$57		\$67		\$77	
\$48	*Disables setting the V flag in mute mode	\$58		\$68		\$78	
\$49	*Enables setting the V flag in mute mode	\$59		\$69		\$79	
\$4A	*ATIME priority on	\$5A	1TJ OUT #4	\$6A		\$7A	
\$4B	*ATIME priority off	\$5B		\$6B		\$7B	
\$4C	*TEXT ACTIVE MODE	\$5C		\$6C		\$7C	
\$4D	*TEXT STANDBY MODE	\$5D		\$6D		\$7D	
\$4E		\$5E		\$6E		\$7E	
\$4F		\$5F		\$6F		\$7F	

Continued on next page.

Continued from preceding page.

Blank entry: Illegal command, *: Latching commands (mode setting commands),

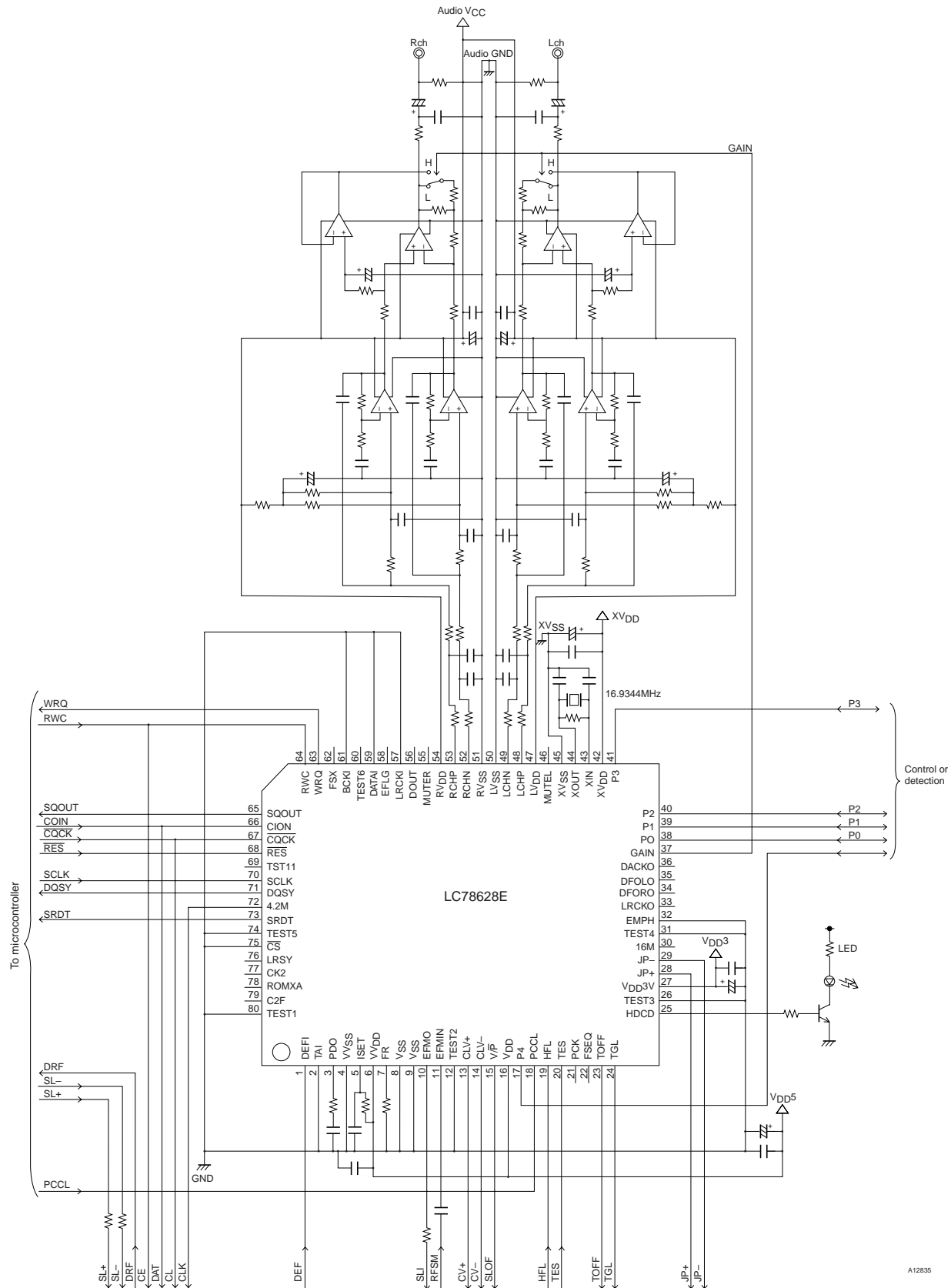
@: Commands shared with an ASP (LA9240M/41M or similar device),

Items in parentheses are ASP commands (provided for reference purposes)

\$80		\$90	(*F.OFF.ADJ.ST)	\$A0	*Old track jump technique	\$B0	*CLV-PH1 division mode
\$81	*ATTENUATOR DATA SET	\$91	(*F.OFF.ADJ.OFF)	\$A1	*New track jump technique	\$B1	*CLV-PH2 division mode
\$82	*ATTENUATOR 4 FS UP	\$92	(*T.OFF.ADJ.ST)	\$A2	FOCUS START #2	\$B2	*CLV-PH4 division mode
\$83	*ATTENUATOR 4 FS DN	\$93	(*T.OFF.ADJ.OFF)	\$A3	*Internal brake cont.	\$B3	*CLV-PH8 division mode
\$84	*ATTENUATOR 8 FS UP	\$94	(*LASER.ON)	\$A4		\$B4	*CLV 3-value output on
\$85	*ATTENUATOR 8 FS DN	\$95	(*LSR.OF/F.SV.ON)	\$A5		\$B5	*CLV 3-value output off
\$86	*ATTENUATOR 16 FS UP	\$96	(*LSR.OF/F.SV.OFF)	\$A6		\$B6	*JP 3-value output on
\$87	*ATTENUATOR 16 FS DN	\$97	(*SP.8 cm)	\$A7		\$B7	*JP 3-value output off
\$88	*CDROMXA	\$98	(*SP.12 cm)	\$A8	*DISC 8 cm SET	\$B8	
\$89	*ADDRESS FREE 1 CHECK	\$99	(*SP.OFF)	\$A9	*DISC 12 cm SET	\$B9	
\$8A		\$9A	(*SLED.ON)	\$AA		\$BA	
\$8B	*ROMXA RESET	\$9B	(*SLED.OFF)	\$AB		\$BB	
\$8C	TRACK JMP BRK	\$9C	(*EF.BAL.START)	\$AC	*VCO × 2 SET	\$BC	
\$8D	*OSC OFF	\$9D	(*T.SERVO.OFF)	\$AD	*VCO × 1 SET	\$BD	
\$8E	*OSC ON	\$9E	(*T.SERVO.ON)	\$AE	*VCO × 0.5 SET	\$BE	
\$8F	*TRACKING ON	\$9F		\$AF		\$BF	

\$C0		\$D0		\$E0		\$F0	*@TRACK CHECK IN (2 bytes DETECT)
\$C1	*Double-speed playback	\$D1		\$E1		\$F1	
\$C2	*Normal speed playback	\$D2		\$E2		\$F2	
\$C3		\$D3		\$E3		\$F3	
\$C4	*Internal braking off	\$D4		\$E4		\$F4	
\$C5	*Internal braking on	\$D5		\$E5		\$F5	
\$C6		\$D6		\$E6		\$F6	
\$C7		\$D7		\$E7		\$F7	
\$C8		\$D8	*HDCD CTRL REG SET (2-byte command)	\$E8		\$F8	*@TRACK CHECK OUT (2 bytes DETECT)
\$C9	*CK2 polarity reversed	\$D9		\$E9		\$F9	
\$CA	*Internal BRK-DMC low	\$DA		\$EA		\$FA	
\$CB	*Internal BRK-DMC high	\$DB	*PORT I/O SET	\$EB		\$FB	
\$CC	*During internal braking: TOFF	\$DC	*PORT OUTPUT SET	\$EC		\$FC	
\$CD	*During internal braking: TON	\$DD	PORT READ	\$ED		\$FD	
\$CE	*X'tal 16M	\$DE	PORT READ	\$EE	*Command noise reduction off	\$FE	@NOTHING
\$CF		\$DF		\$EF	*Command noise reduction on	\$FF	*@2 bytes CMD RESET

Sample Application Circuit



A12835

CD DSP Comparison Chart

Function \ Product	LC78621E	LC78625E	LC78630E	LC78624E	LC78626E/ LC78626KE	LC78622E/ LC78622NE	LC78628E
EFM-PLL	Built-in VCO FR = 1.2 kΩ	Built-in VCO FR = 1.2 kΩ	Built-in VCO FR = 1.2 kΩ	Built-in VCO FR = 1.2 kΩ	Built-in VCO FR = 5.1 or 1.2 kΩ	Built-in VCO FR = 1.2 kΩ	Built-in VCO FR = 1.2 kΩ
RAM	16 K	16 K	18 K	16 K	16 K	16 K	16 K
Playback speed	2 ×	2 ×	4 ×	2 ×	2 ×	2 ×	2 ×
Digital output	○	○	○	○	○	○	○
Interpolation	4	4	2	2	2	2	4
Zero cross muting	○ -12 dB, -∞	○ -12 dB, -∞	○ -∞	○ -∞	○ -∞	○ -∞	○ -12 dB, -∞
Level meter and peak search	○	○	×	×	×	×	×
Bilingual	○	○	○	○	○	○	○
Digital attenuator	○	○	○	×	○	○	○
Digital filters	8 fs	8 fs	2 fs	×	4 fs / 8 fs	4 fs / 8 fs	8 fs
Digital deemphasis	○	○	○	×	○	○	○
General-purpose ports	Output	2	2	2	×	×	× / (3)
	I/O	×	(4)	2 + (4)	5	1 + (3)	5
VCD support	×	○	○	×	×	×	○
Anti-shock interface	*2	*2	*2	*1	Not required	×	×
Anti-shock controller	×	×	×	×	○ max. 4M-DRAM/ max. 16M-DRAM	×	×
CD text	×	×	×	○	×	×	○
CD-ROM I/F	○	○	○	×	×	×	○
HDCD decoder	×	×	×	×	×	×	○
1-bit DAC	○	○	○	×	○	○	○
L.P.F	×	×	×	×	○	○	×
Supply voltage	3.6 to 5.5 V	3.0 to 5.5 V	3.6 to 5.5 V	3.0 to 5.5 V	3.0 to 5.5 V/ 3.0 to 3.6 V	3.0 to 5.5 V/ 3.6 to 5.5 V	3.0 to 3.6 V, 4.5 to 5.5 V
Package	QIP80E	QIP80E	QIP80E	QIP64E	QIP100E	QIP64E	QIP80E

Anti-shock interface: 1. An anti-shock system can be formed with an external anti-shock controller plus an external digital filters and D/A converter IC.
 2. An anti-shock system can be formed with an external anti-shock controller using the internal digital filter and D/A converter.
 (However, there are restrictions on the timing between XIN and the clock input used for the digital filter.)

Design Notes

While it goes without saying that the absolute maximum ratings, the allowable operating ranges, and the recommended operating conditions for the LC78628E must be observed strictly to achieve reliable end products, care is also required with respect to both the conditions in the applications operating environment, such as the ambient temperature and static electricity, and the mounting conditions. This section presents notes on points that require particular attention during design, mounting, and other times.

Handling Unused Pins

- If this IC is operated with unused input pins in the open state, certain internal aspects may become unstable. If there are specific instructions in the device documentation for handling specific pins when unused, be sure to follow those instructions. Also be careful not to allow any output pins to be connected to power, ground, or any other output pin.
- If any general-purpose I/O port is unused, it should either be set to function as an output port with a low-level output, or it should be left as an input port with the level held fixed, either pulled up or pulled down.

Latch-Up Prevention

- Due to the structure of the IC itself, the same potential must be applied to all of the 5 V system power supply pins.
 - * The same potential must also be applied to the servo system ASP. The slice level control circuit is shared with this IC, and the same potential must be applied. Note that the same potential must be applied to all of the ASP power supply pins.
- The voltage levels on the input and output pins must not exceed V_{DD} and must not fall below V_{SS} . This point means that the timing when power is first applied requires care.
- Do not allow overvoltages or abnormal noise levels to be applied to this IC.
- In general, latch-up can be prevented by applying either V_{DD} or V_{SS} to all unused input pins. However, the notes on pin handling listed in the pin descriptions with this IC must be followed.
- Do not short the outputs.

Interface

When the inputs and outputs of different devices are connected, differences between the input V_{IL}/V_{IH} and output V_{OL}/V_{OH} levels can result in incorrect operation. When connecting devices with different supply voltages, such as devices in dual power supply systems, always insert level shifters so that the devices are not destroyed.

Load Capacitances and Output Current

- If large load capacitances are connected, the effective output short state may continue for an extended period and result in overloaded wiring. Furthermore, high charge and discharge currents can cause noise leading to degraded performance or incorrect operation. Only use loads with the recommended capacitance.
- High output source and sink currents can also result in similar problems. Use the recommended current values while taking the allowable power dissipation rating into account.

Notes on Power Application and Reset

- There are points that require care when power is first applied, during a reset, and when the reset state is cleared. Refer to the notes in the device spec sheet and adopt designs that are appropriate for the product.
- The pin output states and I/O settings as well as the contents of the IC internal registers, are not guaranteed after power is first applied. The states of items that are defined by the reset operation and by mode setting operations are only guaranteed after those operations have been performed. After power is first applied, the application must perform a reset operation. Note that the contents of registers and pin states that are undefined may change over time from their values early in the design process due to long-term changes in sample-to-sample variations.
- The general-purpose I/O ports go to the input state after a reset. From the standpoint of failsafe design, if any of these pins must be tied high or low, one effective technique is to connect each one of these pins through an individual resistor to either V_{DD} (pull up) or V_{SS} (pull down).
- If the 4.2M output is used as the microcontroller master clock, the reset circuit should be shared with the microcontroller. Since the microcontroller will not be reset unless a clock is supplied, the LC78628E reset input must not be controlled from a microcontroller output port. If the LC78628E is not reset, there is no guarantee that the 4.2 MHz signal will be output, and the microcontroller will also not be reset. This can lead to the application failing to operate correctly.

Notes on Thermal Design

The failure rate of semiconductor devices is significantly accelerated by increases in ambient temperature and power dissipation. To assure high reliability, possible variations in the ambient conditions must be considered and adequate margins provided in the thermal design.

Notes on Printed Circuit Board Pattern Design

- Separate V_{DD} and ground lines should be used for each system to reduce the influence of shared impedances.
- The V_{DD} and ground lines should be made as short and wide as possible, and their high-frequency impedance should be made as low as possible. Ideally, decoupling capacitors (0.01 to 1 μF) should be inserted between each V_{DD} and ground. These capacitors must be placed as close as possible to the power supply pins of the IC. Also, it is appropriate to insert capacitor of about 100 to 220 μF between each V_{DD} and ground as low-frequency filters. However, note that if these capacitors are too large, latch-up may result.
 - * In the servo system, the reference voltage V_{REF} line should be handled in the same way as the driver V_{DD} and ground lines. The driver ground lines should be made particularly wide. The recommended driver pattern, which takes heat dissipation directly under the device into account, must be used.
 - * If a current output type pickup is used, the light sensor element connector and the ASP RF input must be located as close together as possible. If a voltage output type pickup is used, the current-voltage conversion resistor located at the ASP input should be located near the ASP RF input.
- The EFM signal line should be made as short as possible, and either kept away from other signal lines or a V_{SS} or V_{DD} shield line should be placed between this line and the adjacent signal line. The slice level controller output (EFMO) and the ASP clock output (4.2M) can easily cause interference in the EFM signal line. Therefore the resistor connected to the output pin should be placed as close to the pin as possible. Also note that the influence of spurious radiation is increased when this resistor is small, and that the output level requires care when the resistor is larger. The 4.2M output must be designed while taking the ASP input level into account (design center: 1 Vp-p).
- Noise occurring in the microcontroller interface may result in incorrect operation. Although this will depend on the application itself, the interface lines should be made as short as possible and inductances and capacitances minimized. However, be careful that crosstalk does not become a problem. If the interface lines must be long, or external noise is a problem, it may be effective to insert noise reducers. These filters must be designed with the interface timing taken into consideration. Applying the command noise reduction command (\$EF) to the LC78628E can also be effective.
- Cover the area around the crystal oscillator circuit with a ground pattern layer.

Notes on Software Design

- Software designers must follow the instructions in the device documentation concerning recommendations and forbidden aspects when designing software for this device.
- If the digital output is used, apply a UBIT OFF (\$41) command to the LC78628E at initialization. A UBIT ON (\$40) command should only be issued during playback to prevent DIR unlock and to prevent incorrect subcode operation.
- At initialization, after releasing the LC78628E reset state, and after issuing an OSC ON command to the LC78628E, issue a 2-byte command reset (\$FF) to the ASP (an LA9230M Series or LA9240M Series IC) and set up the ASP command register.
- If the subcode Q data cannot be received for over a certain period during CD playback, it may be due to noise entering the microcontroller interface. Before switching to stop processing, issue an \$FF command and then try to receive the subcode Q data again.
- Since the ASP (an LA9230M Series or LA9240M Series IC) uses the LC78628E 4.2M output as the master clock, an additional 30 ms setup time in addition to the oscillator stabilization time is required at initialization, after clearing the LC78628E reset state, and after issuing an OSC ON command to the LC78628E. Note that this 30 ms setup time is also required after issuing an ASP RESET (\$00) command to the ASP.
- Since the command timing for the ASP (an LA9230M Series or LA9240M Series IC) is slower than that for the LC78628E, be sure to refer to the ASP documentation when designing the software.

Other Notes

If you have any questions, contact your Sanyo sales representative during the design process. This IC is designed especially for CD player applications, and has specifications that differ from those of general-purpose logic devices. Also be sure to perform full system debugging as required by the equipment system or applications that require failsafe specifications.

A separate contract with Pacific Microsonics, Inc. is required to manufacture and sell electronic equipment that uses HDCD (High Definition Compatible Digital) technology.

In Japan, contact: Pacific Microsonics, Inc. Asia Office
Telephone: 03-5355-7579

In the US, contact: Pacific Microsonics, Inc.
Telephone: 510-475-8000

Notice

All shipments of this IC (except for sample shipments) after June 1999 has been reported by Sanyo to Pacific Microsonics, Inc.

- Specifications of any and all SANYO products described or contained herein stipulate the performance, characteristics, and functions of the described products in the independent state, and are not guarantees of the performance, characteristics, and functions of the described products as mounted in the customer's products or equipment. To verify symptoms and states that cannot be evaluated in an independent device, the customer should always evaluate and test devices mounted in the customer's products or equipment.
- SANYO Electric Co., Ltd. strives to supply high-quality high-reliability products. However, any and all semiconductor products fail with some probability. It is possible that these probabilistic failures could give rise to accidents or events that could endanger human lives, that could give rise to smoke or fire, or that could cause damage to other property. When designing equipment, adopt safety measures so that these kinds of accidents or events cannot occur. Such measures include but are not limited to protective circuits and error prevention circuits for safe design, redundant design, and structural design.
- In the event that any or all SANYO products (including technical data, services) described or contained herein are controlled under any of applicable local export control laws and regulations, such products must not be exported without obtaining the export license from the authorities concerned in accordance with the above law.
- No part of this publication may be reproduced or transmitted in any form or by any means, electronic or mechanical, including photocopying and recording, or any information storage or retrieval system, or otherwise, without the prior written permission of SANYO Electric Co., Ltd.
- Any and all information described or contained herein are subject to change without notice due to product/technology improvement, etc. When designing equipment, refer to the "Delivery Specification" for the SANYO product that you intend to use.
- Information (including circuit diagrams and circuit parameters) herein is for example only; it is not guaranteed for volume production. SANYO believes information herein is accurate and reliable, but no guarantees are made or implied regarding its use or any infringements of intellectual property rights or other rights of third parties.

This catalog provides information as of March, 2000. Specifications and information herein are subject to change without notice.