

The Solda D connector can save your company money, by reducing manufacturing costs, while at the same time increasing system reliability.

Cost reduction has been achieved at two levels. Firstly, by carefully designing Solda D to make use of the latest manufacturing techniques and by investing in "state of the art" robotic assembly equipment, we can offer you a very low unit cost. And, secondly, by considering the way you use the product, we have designed-in features which will speed up assembly and offer long term reliability benefits.

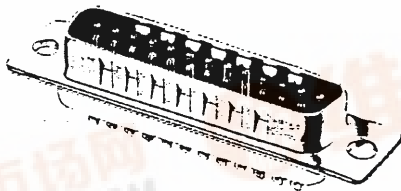
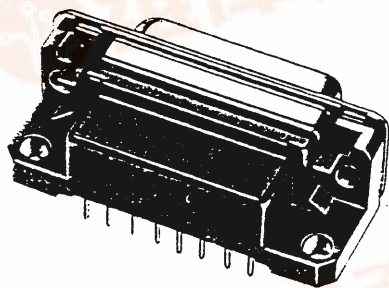
An example of our innovative design is the basic Solda D. This connector uses a unique "open" solder bucket offering substantial savings in the time taken to terminate, while so reducing our manufacturing costs that we are able to maintain the level of gold plating on our contacts at a far higher level than that of our competitors, and thereby eliminate the risk of porosity.

Solda D connectors for PCB applications have rigid tails which are gauged to a positional tolerance of better than 0.127 mm, accurate enough for robotic placement and considerably aiding hand assembly. They can be ordered complete with your choice of pre-fitted accessories to simplify inventory requirements and further reduce assembly costs.

Solda D will be with us for a long time to come and we have set out from the beginning to ensure we anticipate your needs for the future. For example, all Solda D connectors are available with tin plated shells (and grounding dimples on the plug half) to help reduce RFI/EMI emission levels and there is even a low cost filtered version for particularly harsh requirements.

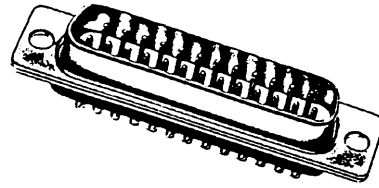
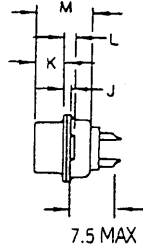
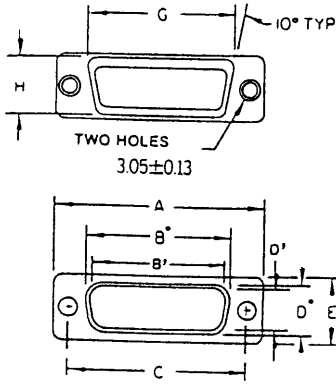
If you would like to join the growing number of successful companies enjoying the many benefits of Solda D, the first step is just a phone call away....

ITT Cannon (UK)
Jays Close, Viabes Industrial Estate,
Basingstoke, Hampshire, RG22 4BW
Tel: 0256 473171 Telex: 858105



All dimensions in millimetres

查询"077552-3000"供应商 Solda D Solder Bucket Contacts

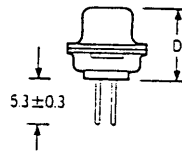
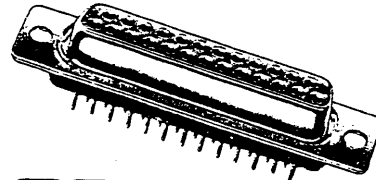
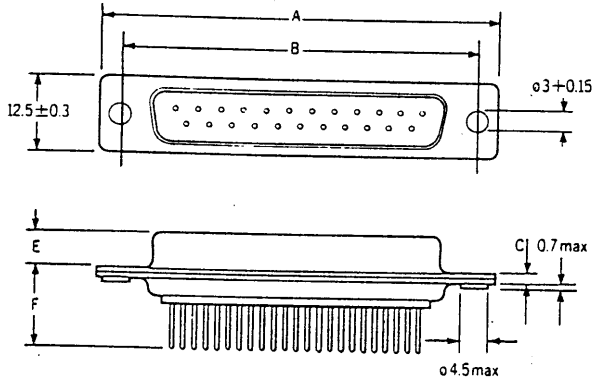


Part No.	A	B•	B'	C	D•	D'	E	G	H	J	K	L	M	N
ADE-9S	±0.4	±0.3	±0.3	±0.2	±0.3	±0.3	±0.4	±0.3	±0.3	Max	±0.3	Max	±0.4	±0.3
ADE-9P	30.8	16.3	16.9	25.0	7.8	8.4	12.5	19.3	10.7	1.3	6.0	1.90	10.93	3.0
ADA-15S	39.1	24.6	25.3	33.3	7.8	8.4	12.5	27.5	10.7	1.3	6.0	1.90	10.93	3.0
ADA-15P	39.1	24.6	25.3	33.3	7.8	8.4	12.5	27.5	10.7	1.3	6.2	1.90	10.79	3.0
ADB-25S	53.0	38.3	39.0	47.0	7.8	8.4	12.5	41.3	10.7	1.3	5.9	1.90	10.79	3.3
ADB-25P	53.0	38.3	39.0	47.0	7.8	8.4	12.5	41.3	10.7	1.3	6.2	1.90	10.79	3.0
ADC-37S	69.3	54.8	55.4	63.5	7.8	8.4	12.5	57.7	10.7	1.3	5.9	1.90	10.93	3.3
ADC-37P	69.3	54.8	55.4	63.5	7.8	8.4	12.5	57.7	10.7	1.3	6.2	1.90	10.79	3.0

Note: Dimensions B•, D•, G and H are measured as outside dimensions at the bottom of the draw B• and D• are the O.D. dimensions for socket side. B' and D' are the dimensions for pin side.

To specify RFI tin/dimple version add suffix K87 to plug and A197 to socket part no.

Solda D Straight PC Contacts



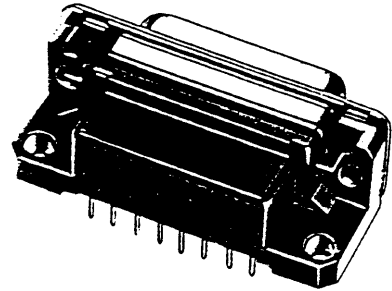
Part No.	A	B	C	D	E	F
ADE-9S-OL2	±0.3	±0.15	±0.2	Max	±0.2	
ADE-9P-OL2	30.8	25.0	0.8	11.9	6.2	11.0
ADA-15S-OL2	39.1	33.3	0.8	11.9	6.2	11.0
ADA-15P-OL2	39.1	33.3	0.8	11.7	6.0	11.0
ADB-25S-OL2	53.0	47.0	0.8	11.9	6.2	11.0
ADB-25P-OL2	53.0	47.0	1.0	11.8	5.9	11.2
ADC-37S-OL2	69.3	63.5	0.8	11.9	6.2	11.0
ADC-37P-OL2	69.3	63.5	1.0	11.8	5.9	11.2

To specify RFI tin/dimple version add suffix K87 to plug and A197 to socket part no.

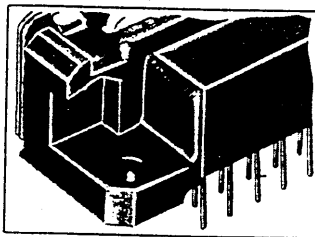
Solda D 90° PC Contacts

Features

- Rigid PC tails for easy manual or automatic PCB insertion
- Choice of PCB mounting (styles 1 and 2 below)
- Wide range of panel mounting options to reduce assembly time (see facing page)

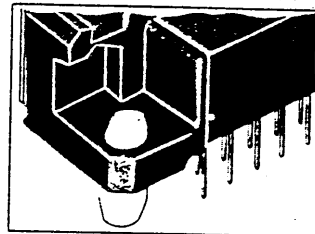


Style 1



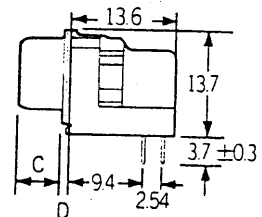
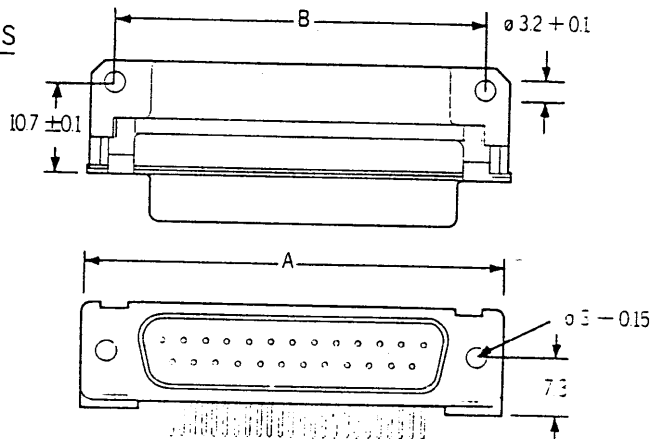
Original
3.2mm
Diameter
Clearance
Hole

Style 2



New
Pushfit
Teflon
Stud

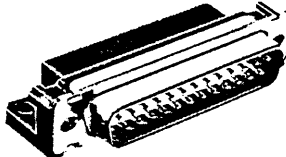
Dimensions

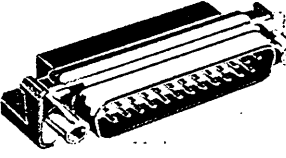


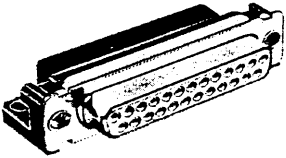
Size	A ±0.3	B ±0.15	C ±0.2	D ±0.2
9 Socket	30.8	25.0	6.2	0.8
9 Pin	30.8	25.0	6.0	0.8
15 Socket	39.1	33.3	6.2	0.8
15 Pin	39.1	33.3	6.0	0.8
25 Socket	53.0	47.0	6.2	0.8
25 Pin	53.0	47.0	5.9	1.0
37 Socket	69.3	63.5	6.2	0.8
37 Pin	69.3	63.5	5.9	1.0

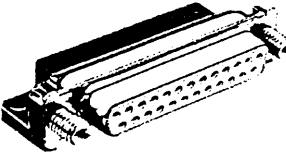
All dimensions in millimetres


Ordering Information

	Panel Mounting	No. Ways	Connector with 3.2mm holes for PCB mounting	Connector with Teflon stud for PCB mounting
	3.0mm through holes	Plug 9 15 25 37 Socket 9 15 25 37	ADE 9P 1A2N ADA 15P 1A2N ADB 25P 1A2N ADC 37P 1A2N ADE 9S 1A2N ADA 15S 1A2N ADB 25S 1A2N ADC 37S 1A2N	ADE 9P V65 ADA 15P V65 ADB 25P V65 ADC 37P V65 ADE 9S V65 ADA 15S V65 ADB 25S V65 ADC 37S V65

	Panel Mounting	No. Ways	Connector with 3.2mm holes for PCB mounting	Connector with Teflon stud for PCB mounting
	4-40 UNC round jackpost	Plug 9 15 25 37 Socket 9 15 25 37	ADE 9P V62 ADA 15P V62 ADB 25P V62 ADC 37P V62 ADE 9S V62 ADA 15S V62 ADB 25S V62 ADC 37S V62	ADE 9P AB2 ADA 15P AB2 ADB 25P AB2 ADC 37P AB2 ADE 9S BB2 ADA 15S BB2 ADB 25S BB2 ADC 37S BB2

	Panel Mounting	No. Ways	Connector with 3.2mm holes for PCB mounting	Connector with Teflon stud for PCB mounting
	4-40 UNC flush mount insert	Plug 9 15 25 37 Socket 9 15 25 37	ADE 9P V64 ADA 15P V64 ADB 25P V64 ADC 37P V64 ADE 9S V64 ADA 15S V64 ADB 25S V64 ADC 37S V64	ADE 9P AA2 ADA 15P AA2 ADB 25P AA2 ADC 37P AA2 ADE 9S BA2 ADA 15S BA2 ADB 25S BA2 ADC 37S BA2

	Panel Mounting	No. Ways	Connector with 3.2mm holes for PCB mounting	Connector with Teflon stud for PCB mounting
	4-40 UNC internal, M5 external threaded jackpost	Plug 9 15 25 37 Socket 9 15 25 37	ADE 9P V66 ADA 15P V66 ADB 25P V66 ADC 37P V66 ADE 9S V66 ADA 15S V66 ADB 25S V66 ADC 37S V66	ADE 9P AC2 ADA 15P AC2 ADB 25P AC2 ADC 37P AC2 ADE 9S BC2 ADA 15S BC2 ADB 25S BC2 ADC 37S BC2

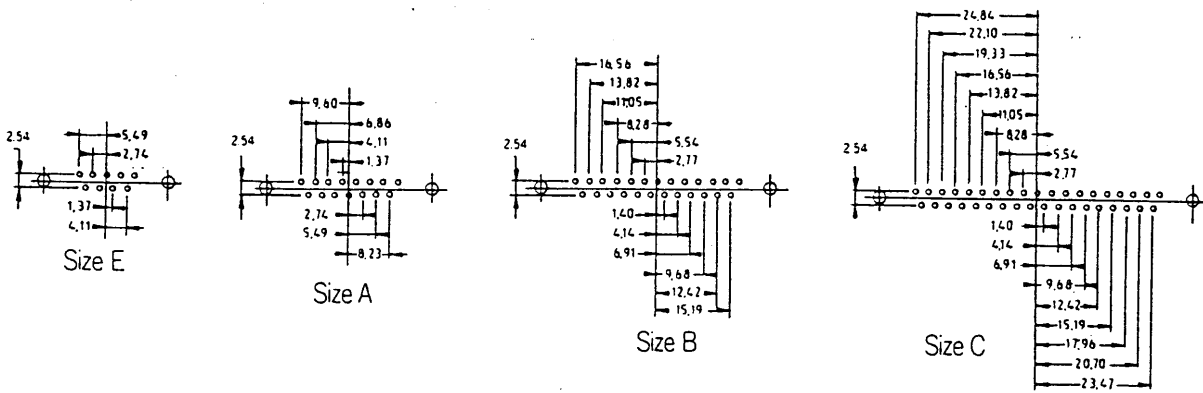
	M5 Nut (2 required per connector)	393-7517-001		
---	--------------------------------------	--------------	--	--

For RFI tin/dimple and filter versions refer to the EMC catalogue.

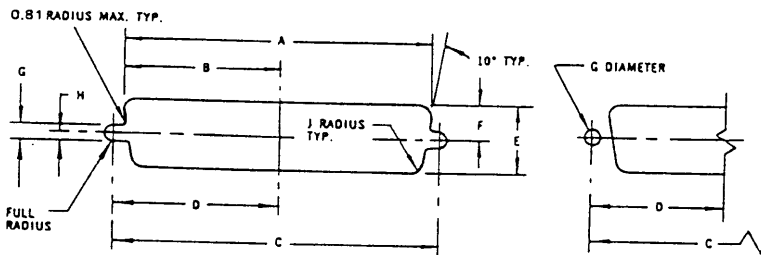
Solda D Technical Data

Coupling	Friction and locking accessories	Shell	Steel plated zinc with yellow chromate
Polarisation	Keystone-shaped shells	Insulator	Plyester monobloc construction
Temperature Range	-55°C to +125°C	Contacts	Copper alloy, gold over nickel
Contact Type	Non-removable	Current rating	3A
Termination	Solder pot or printed circuit	Test voltage	1250 V ac rms
Durability	Up to 100 mating/unmating cycles	Contact resistance	20 milliohms max

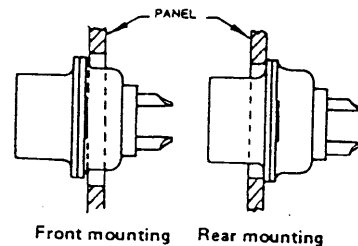
Recommended PCB Layouts



Recommended Panel Cutouts



Connector Size	Mounting Method	A	B	C	D	E	F	G	H	J
		±0.2	±0.2	±0.2	±0.2	±0.2	±0.2	±0.1	±0.1	±0.2
ADA	Front Mounting	30.5	15.3	33.3	16.7	13.0	6.5	3.0	1.5	2.1
	Rear Mounting	28.8	14.4	33.3	16.7	11.4	5.7	3.0	1.5	3.4
ADB	Front Mounting	44.3	22.1	47.0	23.5	13.0	6.5	3.0	1.5	2.1
	Rear Mounting	42.5	21.3	47.0	23.5	11.4	5.7	3.0	1.5	3.4
ADC	Front Mounting	60.7	30.4	63.5	31.7	13.0	6.5	3.0	1.5	2.1
	Rear Mounting	59.1	29.5	63.5	31.7	11.4	5.7	3.0	1.5	3.4
ADE	Front Mounting	22.2	11.1	25.0	12.5	13.0	6.5	1.5	1.5	2.1
	Rear Mounting	20.5	10.2	25.0	12.5	11.4	5.7	3.0	1.5	3.4



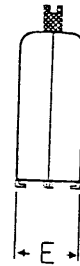
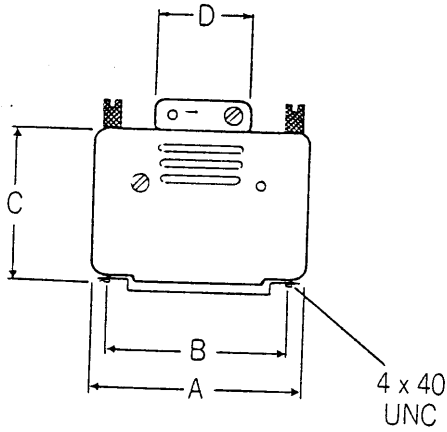
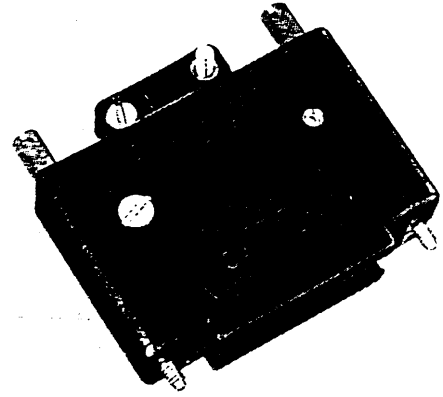
All dimensions in millimetres

- 10562^{TO} 619 -

型号 7762-300 快拆壳

Solda D Backshell

- ☑ Low Cost
- ☑ Easy Assembly
- ☑ Fingergrasp Jackposts
- ☑ Universal Cable Clamp
- ☑ UL 94 VO Rated Moulding



Part No.	Shell Size	A ±0.5	B ±0.5	C ±0.5	D ±0.5	E ±0.5	Cable Diameter	
							max	min
DE 77762-9	9	33	25	36	18	16	8.5	2.5
DA 77762-15	15	42	33	36	24	16	8.5	2.5
DB 77762-25	25	55	47	36	24	16	8.5	2.5
DC 77762-37	37	71	63	36	24	16	8.5	2.5

Dimensions subject to change