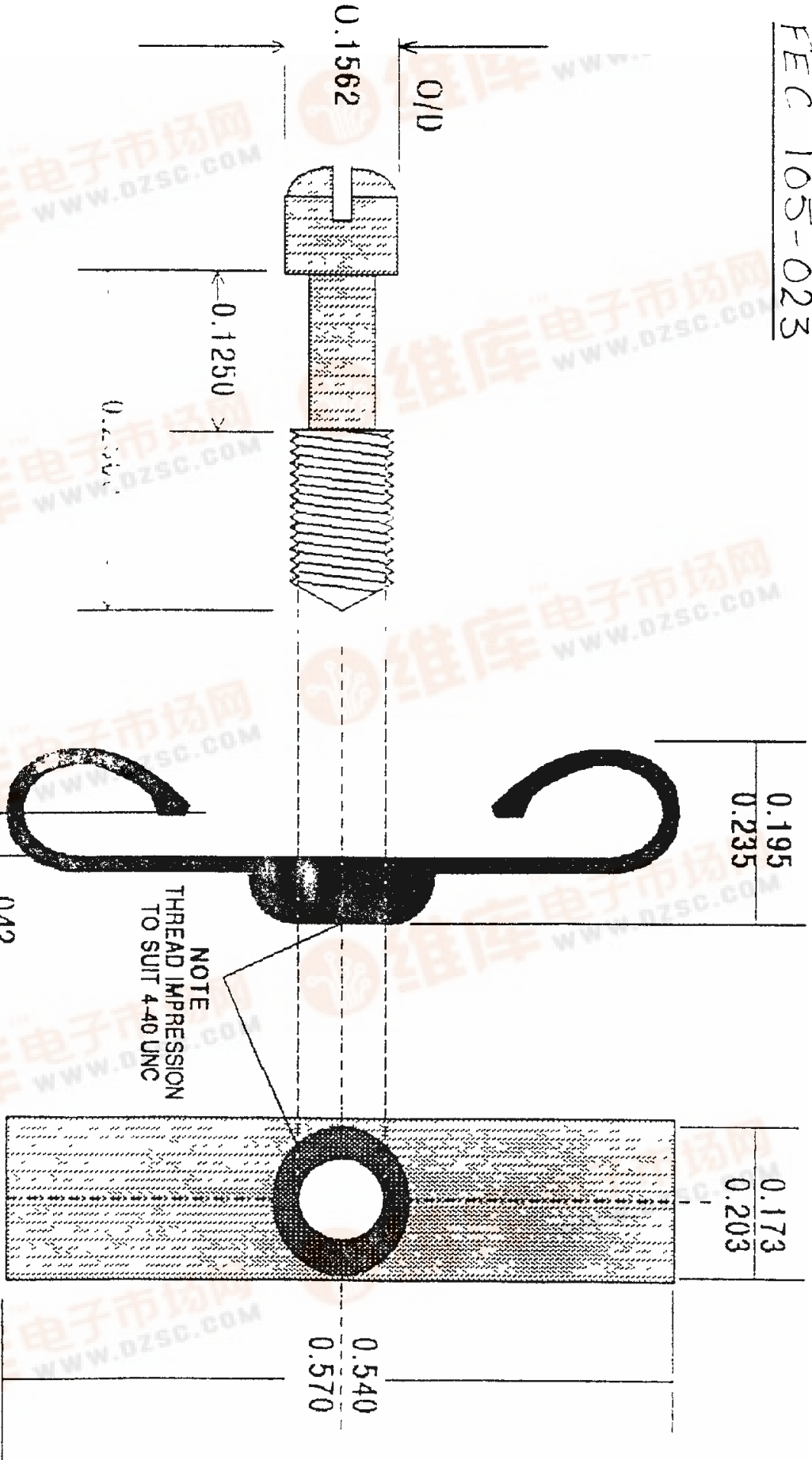


FEC 105-023



NOTE
THREAD IMPRESSION
TO SUIT 4-40 UNC

MATERIAL THICKNESS 0.018

查询"105023"供应商

1	2	3	4	5	6	7	8	9	10	11	12	13	14
A	B	C	D	E	F	G	H	J1					
IF IN DOUBT ASK													
TITLE MALE CLIP SCREW LOCK													
DATE 30/1/92													
MATERIAL ZINC PLATE & PASSIVATE BS 3482													
DRG No D 20413													
DO NOT SCALE DIMENSIONS IMPERIAL													
SIGNED													
20419													
1 of 1													