

Part No: 130-321

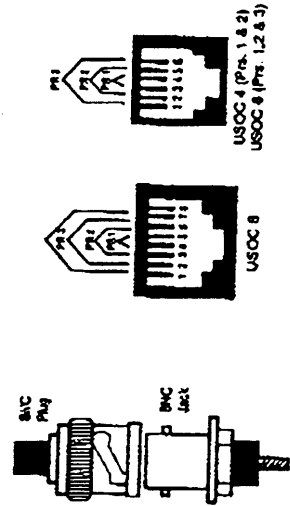
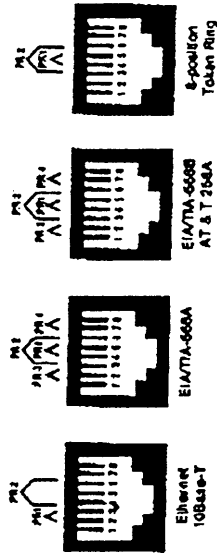
(Vibel Pt No: 1936)

Page ① of ⑤

[查询"1936"供应商](#)

INTRODUCTION

This series of cable testers are specialized to quickly test by auto scanning for wires continuity, miswiring and polarization of thin Ethernet (BNC/TNC), 10-Base-T (UTP/STP), AT&T 250A, TIA 568A/B, Token Ring, and USOC4/6/8 modular cable. By using the attached remote terminator, you can easily test a cable whatever before or after the cables are installed. Easy access and quick check up.



Contents

INTRODUCTION 1

251451

MULTI-NETWORK CABLE TESTER 2,3

251452/251453

ENHANCED NETWORK CABLE TESTER 4,5

250451

MULTI-MODULAR CABLE TESTER 6,7

250220

COAXIAL CABLE TESTER 8,9

查询"1936"供应商

251461

MULTI-NETWORK CABLE TESTER

Test for Coaxial Cable (BNC)

1. Plug one end to the BNC socket of the master unit and the other end to the remote terminator.
2. Push the power switch on, the power LED will flash to show the power is working properly.
3. After the cable is inserted, the BNC LED should be kept unlighted. If the BNC LED is lighted up, then the cable is bad.
4. Push the button which is on the left side of the master unit. The BNC LED indicator will light up GREEN if the cable is OK. If LED lights up RED or no light, the cable is bad.

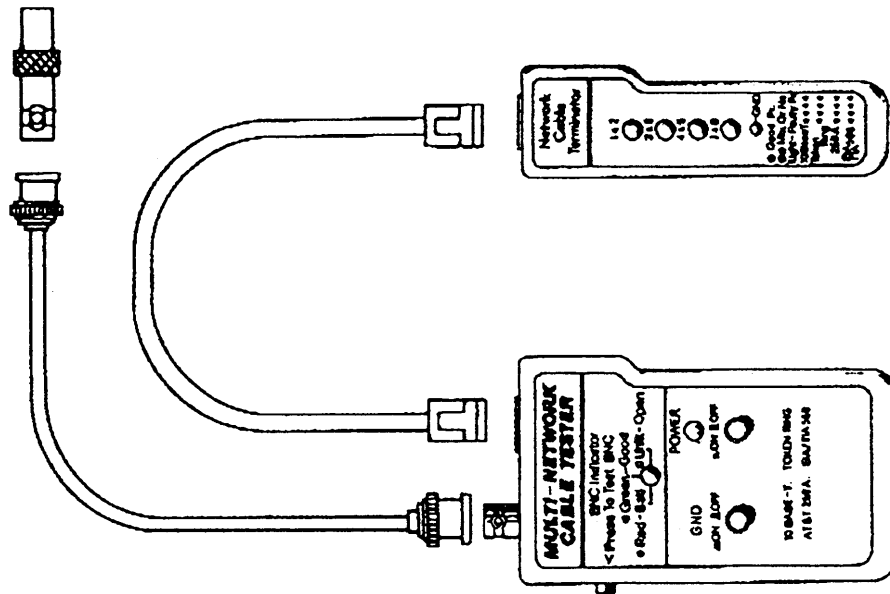
Test for 10-Base-T, AT&T 288A, EIA/TIA 568, Token Ring Cable

1. Plug one end of the cable to the jack of the master unit and the other end to the remote terminator.
2. Push the power switch on, the power LED will flash to show the power is working properly.
3. As soon as the power was switched on, the LEDs on the remote terminator will start to scan one by one. If the cable is OK, the LEDs corresponding to each pair connected will light GREEN. If the LED is lighted GREEN first and RED after (mix.) or it is unlighted, the cable is bad.
4. If the cable is shielded, you may test shielding by pushing the GND switch on. The corresponding LEDs and GND LED will light up with all green except the LED of pair 3&6 is kept off. If any LED is lighted green first and red after or unlighted, it's showing the shielding is bad.

Remarks: 1. Please make sure a 9-volt alkaline battery has been installed in the battery compartment.
2. Remember to always keep the GND switch off, if you are not testing the shielding.

Caution:

Don't connect cable tester to the live circuits as it may be damaged by over voltage.



查询"1936"供应商

251462/251453

ENHANCED NETWORK CABLE TESTER

Test for 10-Base-T, AT&T 258A, EIA/TIA 568 and Token Ring Cable
1. Plug one end to the marked 'A' jack at the master unit and the other end to the remote terminator (you may plug both ends to the master unit only, if you are not doing a remote test).

2. Push the power switch on, the power LED will flash to show the power is working properly.

3. As soon as the power is switched on, the LEDs on the remote terminator will start to scan one by one.

4. If the cable is OK, the LEDs corresponding to each pair connected will light GREEN. If the LED is lighted GREEN first and RED after (mix.) or it is unlighted, the cable is bad.

5. If the cable is shielded, you may test shielding by pushing the GND switch on. The corresponding LEDs and GND LED will light up with all green except the LED of pair 3&8 is kept off. If any LEDs is lighted green first and red after or unlighted, it's showing the shielding is bad.

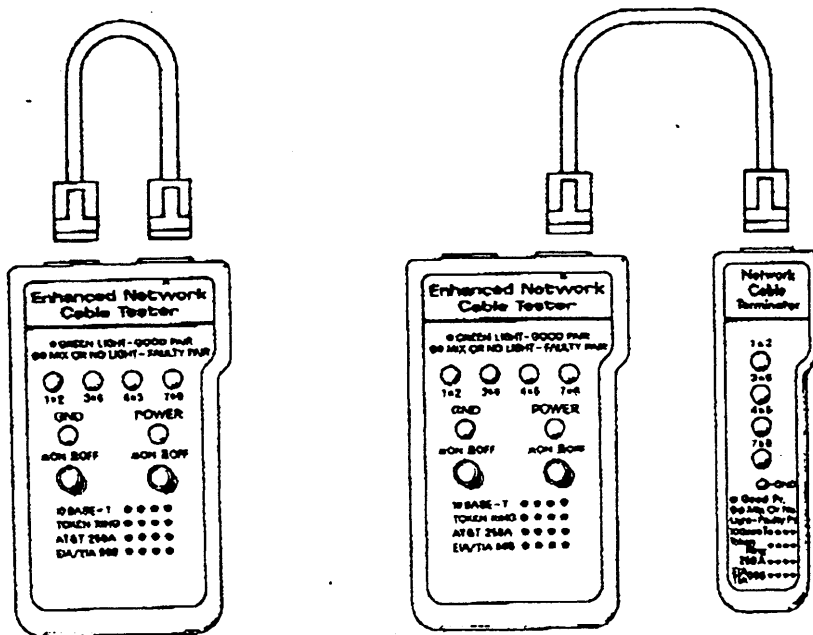
Remarks: 1. Please make sure a 9-volt alkaline battery has been installed in the battery compartment.

2. Remember to always keep the GND switch off, if you are not testing the shielding.

3. Model No. 251453 is supplied without a remote terminator. So, you can not do a remote test.

Caution:

Don't connect cable tester to the live circuits as it may be damaged by over voltage.



查询"1936"供应商

250481

MULTI-MODULAR CABLE TESTER

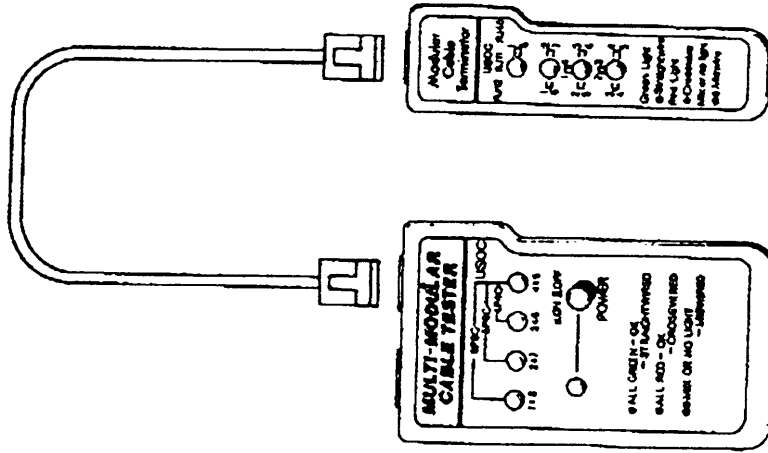
Test for USOC 4/USOC 8 Modular Cable

1. Plug one end to the master tester and the other end to the remote terminator (you may plug both end to master unit only, if you are not doing a remote test).
2. Push the power switch on, the power LED will flash to show the power is working properly.
3. As soon as the tested cable is inserted the LEDs on the remote terminator will start to scan one by one.
4. If the tested cable is OK, the corresponding pair of LEDs will light up all GREEN.
5. If the corresponding pair of LEDs is lighted all RED, the cable was wired reversely.
6. If the LEDs light up GREEN first and RED after (mix.) or it is unlighted, the cable is bad.

Remarks: Please make sure a 9-volt alkaline battery has been installed in the battery compartment.

Caution:

Don't connect cable tester to the live circuits as it may be damaged by over voltage.



[查询"1936"供应商](#)

**280220
COAXIAL CABLE TESTER**

- Test for Coax Cable (BNC/TNC)
1. Plug one end to the BNC/TNC socket of the master unit and the other end with a terminator.
 2. After the cable is inserted, the BNC/TNC LED should be unlighted. If the BNC/TNC LED is lighted RED, then the cable is bad.
 3. Push the button which is on the left side of master unit. The BNC/TNC LED indicator will light up GREEN if the cable is OK. If LED is lighted RED or no light the cable is bad.

Remarks: Please make sure a 9-volt alkaline battery been installed in the battery compartment.

Caution:
Don't connect cable tester to the live circuits as it may be damaged by over voltage.

