



## Very low drop voltage regulators with inhibit

### Features

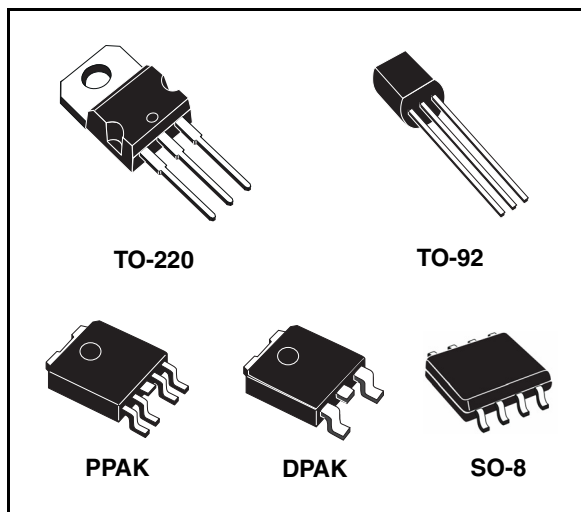
- Very low dropout voltage (0.4 V)
- Very low quiescent current
- (Typ. 50  $\mu$ A in off mode, 600  $\mu$ A in on mode)
- Output current up to 250 mA
- Logic-controlled electronic shutdown
- Output voltages of 2.7; 3.3; 3.5; 5; 8; 12 V
- Automotive Grade product: 2.7 V, 3.3 V, 3.5 V  $V_{OUT}$  only in SO-8 package
- Internal current and thermal limit
- Only 2.2  $\mu$ F for stability
- Available in  $\pm 1\%$  (AB) or  $2\%$  (C) selection at 25  $^{\circ}$ C
- Supply voltage rejection: 70 dB typ. for 5 V version
- Temperature range: -40 to 125  $^{\circ}$ C

### Description

The L4931ABxx L4931Cxx are very Low Drop regulators available in TO-220, SO-8, DPAK, PPAK and TO-92 packages and in a wide range of output voltages.

The very low drop voltage (0.4 V) and the very low quiescent current make them particularly suitable for low noise, low power applications and specially in battery powered systems.

A TTL compatible shutdown logic control function is available in PPAK and SO-8 packages.



This means that when the device is used as a local regulator, it is possible to put a part of the board in standby, decreasing the total power consumption. It requires only a 2.2  $\mu$ F capacitor for stability allowing space and cost saving.

The L4931 is available as Automotive Grade in SO-8 package only, for the options of output voltages whose commercial Part Numbers are shown in the [Table 19 on page 34](#) (order codes). These devices are qualified according to the specification AEC-Q100 of the Automotive market, in the temperature range -40  $^{\circ}$ C to 125  $^{\circ}$ C, and the statistical tests PAT, SYL, SBL are performed.

**Table 1. Device summary**

Part numbers			
L4931ABXX27	L4931CXX33	L4931ABXX50	L4931CXX80
L4931CXX27	L4931ABXX35	L4931CXX50	L4931ABXX120
L4931ABXX33	L4931CXX35	L4931ABXX80	L4931CXX120

[查询"L4931ABD33-TR"供应商](#)

## Contents

1	Diagram .....	5
2	Pin configuration .....	6
3	Maximum ratings .....	7
4	Application circuit .....	8
5	Electrical characteristics .....	9
6	Typical application .....	24
7	Package mechanical data .....	25
8	Order codes .....	34
9	Revision history .....	35

[查询"L4931ABD33-TR"供应商](#)

## List of figures

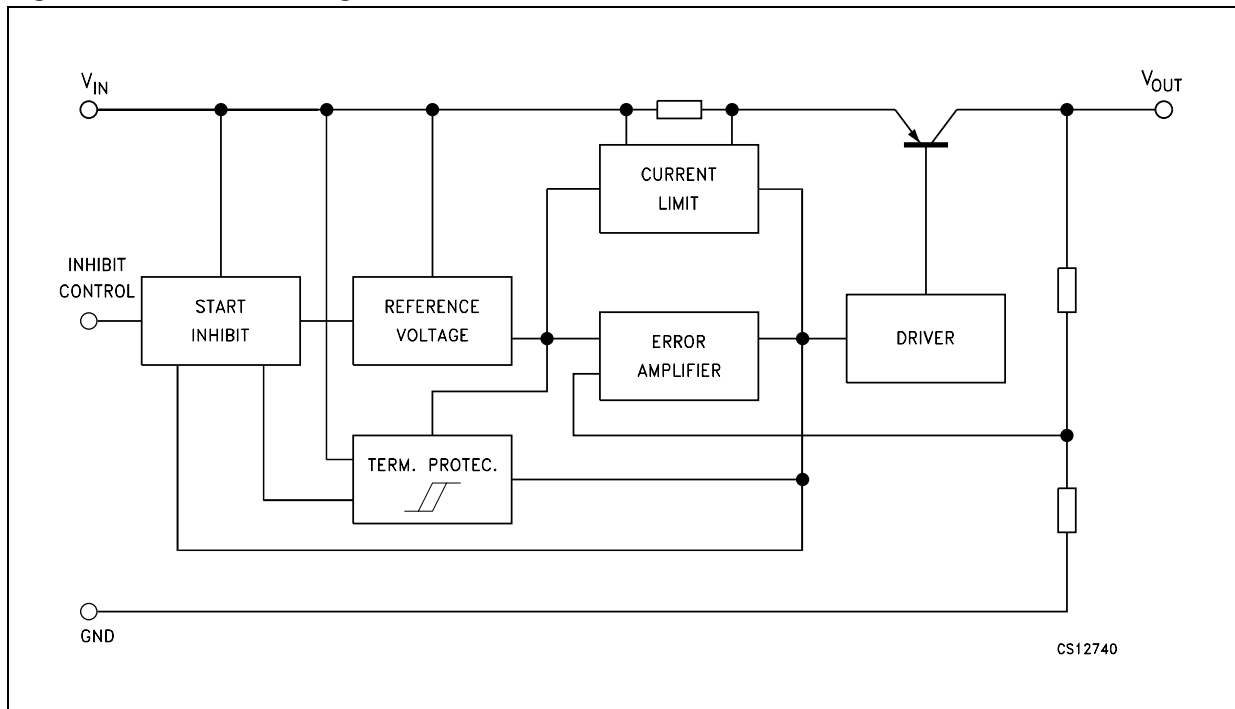
Figure 1.	Schematic diagram . . . . .	5
Figure 2.	Pin connections (top view) . . . . .	6
Figure 3.	Test circuit . . . . .	8
Figure 4.	Line regulation vs temperature . . . . .	24
Figure 5.	Dropout voltage vs temperature . . . . .	24
Figure 6.	Supply current vs input voltage . . . . .	24
Figure 7.	Supply current vs temperature . . . . .	24
Figure 8.	Short circuit current vs dropout voltage . . . . .	24
Figure 9.	SVR vs input voltage signal frequency . . . . .	24

[查询"L4931ABD33-TR"供应商](#)**List of tables**

Table 1.	Device summary . . . . .	1
Table 2.	Absolute maximum ratings . . . . .	7
Table 3.	Thermal data. . . . .	7
Table 4.	Electrical characteristics of L4931ABxx27 . . . . .	9
Table 5.	Electrical characteristics of L4931Cxx27 . . . . .	10
Table 6.	Electrical characteristics of L4931Cxx27-TRY (Automotive Grade) . . . . .	11
Table 7.	Electrical characteristics of L4931ABxx33 . . . . .	12
Table 8.	Electrical characteristics of L4931Cxx33 . . . . .	13
Table 9.	Electrical characteristics of L4931Cxx33-TRY (Automotive Grade) . . . . .	14
Table 10.	Electrical characteristics of L4931ABxx35 . . . . .	15
Table 11.	Electrical characteristics of L4931ABxx35-TRY (Automotive Grade) . . . . .	16
Table 12.	Electrical characteristics of L4931Cxx35 . . . . .	17
Table 13.	Electrical characteristics of L4931ABxx50 . . . . .	18
Table 14.	Electrical characteristics of L4931Cxx50 . . . . .	19
Table 15.	Electrical characteristics of L4931ABxx80 . . . . .	20
Table 16.	Electrical characteristics of L4931Cxx80 . . . . .	21
Table 17.	Electrical characteristics of L4931ABxx120 . . . . .	22
Table 18.	Electrical characteristics of L4931Cxx120 . . . . .	23
Table 19.	Order codes . . . . .	34
Table 20.	Document revision history . . . . .	35

[查询"L4931ABD33-TR"供应商](#)  
**1** **Diagram**

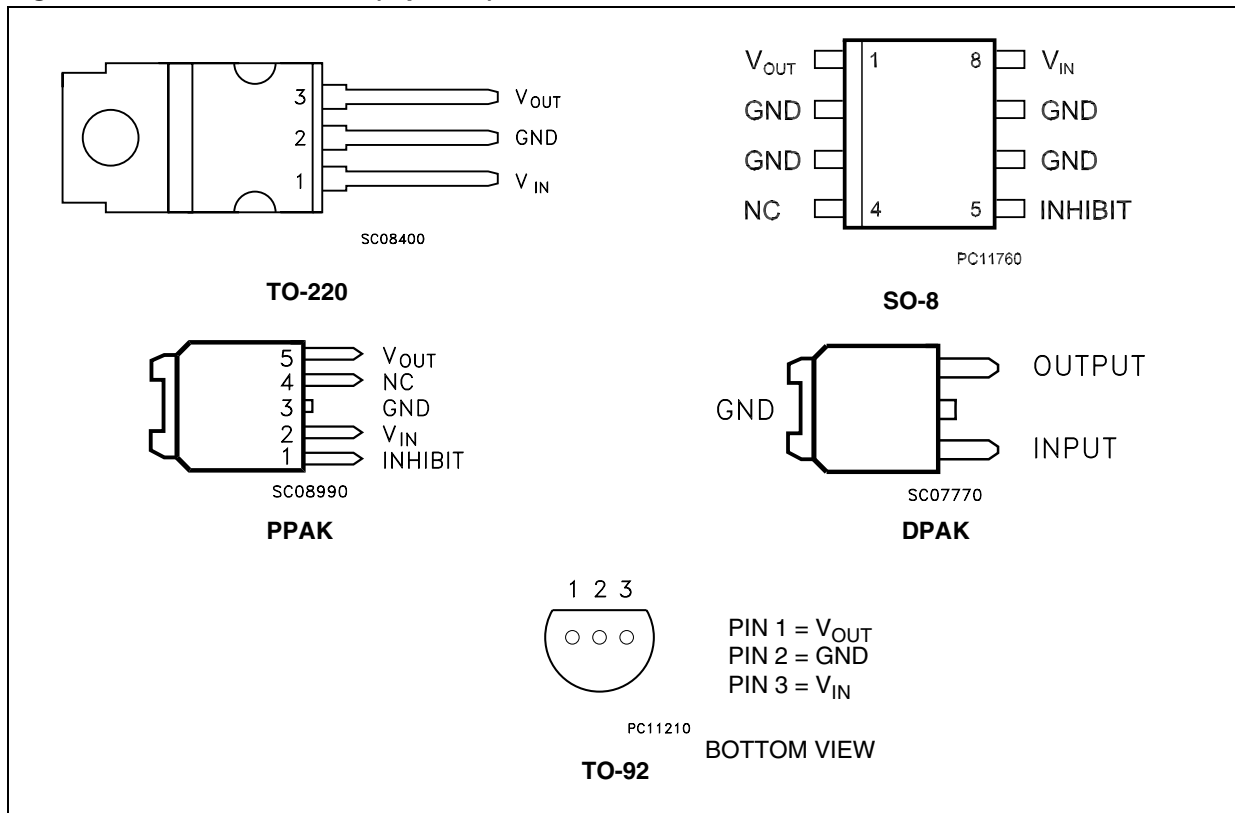
Figure 1. Schematic diagram



[查询"L4931ABD33-TR"供应商](#)

## 2 Pin configuration

Figure 2. Pin connections (top view)



[查询"L4931ABD33-TR"供应商](#)

### 3 Maximum ratings

**Table 2. Absolute maximum ratings**

Symbol	Parameter	Value	Unit
$V_I$	DC Input voltage	20	V
$I_O$	Output current	Internally limited	mA
$P_D$	Power dissipation	Internally limited	mW
$T_{STG}$	Storage temperature range	-40 to 150	°C
$T_{OP}$	Operating junction temperature range	-40 to 125	°C

*Note: Absolute maximum ratings are those values beyond which damage to the device may occur. Functional operation under these condition is not implied*

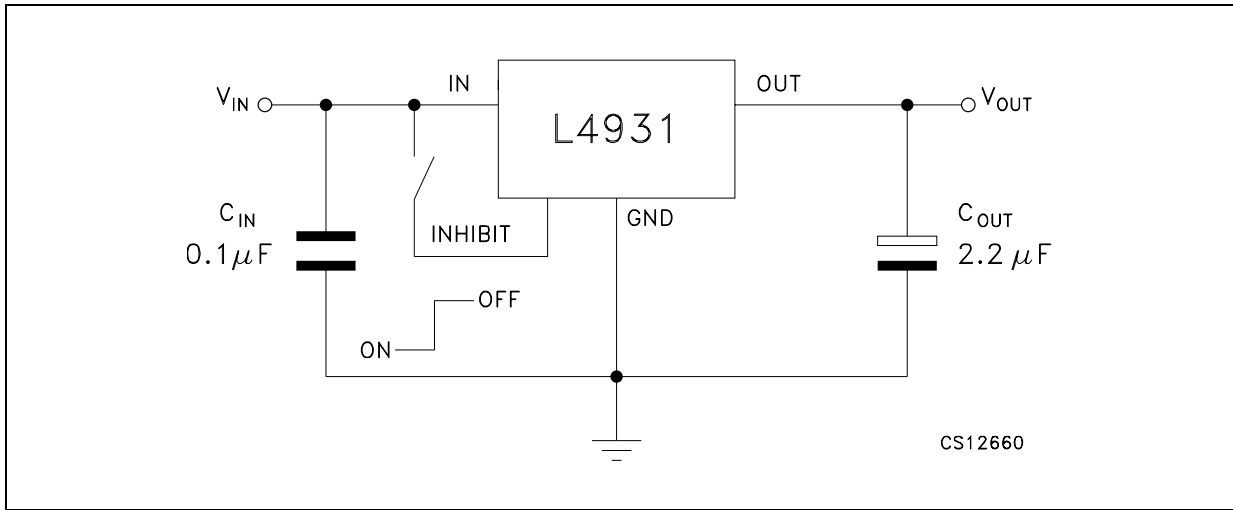
**Table 3. Thermal data**

Symbol	Parameter	TO-220	SO-8	DPAK	PPAK	TO-92	Unit
$R_{thJC}$	Thermal resistance junction-case	3	20	8	8		°C/W
$R_{thJA}$	Thermal resistance junction-ambient	50	55	100	100	200	°C/W

[查询"L4931ABD33-TR"供应商](#)

# 4 Application circuit

Figure 3. Test circuit





[查询"L4931ABD33-TR"供应商](#)

## 5 Electrical characteristics

**Table 4. Electrical characteristics of L4931ABxx27** (refer to the test circuits,  $T_A = 25\text{ }^\circ\text{C}$ ,  $C_I = 0.1\text{ }\mu\text{F}$ ,  $C_O = 2.2\text{ }\mu\text{F}$  unless otherwise specified).

Symbol	Parameter	Test conditions	Min.	Typ.	Max.	Unit
$V_O$	Output voltage	$I_O = 5\text{ mA}$ , $V_I = 4.7\text{ V}$	2.673	2.7	2.727	V
		$I_O = 5\text{ mA}$ , $V_I = 4.7\text{ V}$ , $T_A = -25\text{ to }85\text{ }^\circ\text{C}$	2.646		2.754	
$V_I$	Operating input voltage	$I_O = 250\text{ mA}$			20	V
$I_{out}$	Output current limit			300		mA
$\Delta V_O$	Line regulation	$V_I = 3.4\text{ to }20\text{ V}$ , $I_O = 0.5\text{ mA}$		3	15	mV
$\Delta V_O$	Load regulation <sup>(1)</sup>	$V_I = 3.6\text{ V}$ , $I_O = 0.5\text{ to }250\text{ mA}$		3	15	mV
$I_d$	Quiescent current ON MODE	$V_I = 3.6\text{ to }20\text{ V}$ , $I_O = 0\text{ mA}$		0.6	1	mA
		$V_I = 3.6\text{ to }20\text{ V}$ , $I_O = 250\text{ mA}$		4	6	
	OFF MODE	$V_I = 6\text{ V}$		50	100	$\mu\text{A}$
SVR	Supply voltage rejection	$I_O = 5\text{ mA}$ $V_I = 4.6 \pm 1\text{ V}$	$f = 120\text{ Hz}$		74	dB
			$f = 1\text{ kHz}$		71	
			$f = 10\text{ kHz}$		55	
eN	Output noise voltage	$B = 10\text{ Hz to }100\text{ kHz}$		50		$\mu\text{V}$
$V_d$	Dropout voltage <sup>(1)</sup>	$I_O = 250\text{ mA}$		0.4	0.6	V
		$I_O = 250\text{ mA}$ , $T_A = -40\text{ to }125\text{ }^\circ\text{C}$			0.8	V
$V_{IL}$	Control input logic low	$T_A = -40\text{ to }125\text{ }^\circ\text{C}$			0.8	V
$V_{IH}$	Control Input Logic High	$T_A = -40\text{ to }125\text{ }^\circ\text{C}$	2			V
$I_I$	Control input current	$V_I = 6\text{ V}$ , $V_C = 6\text{ V}$		10		$\mu\text{A}$
$C_O$	Output bypass capacitance	$\text{ESR} = 0.1\text{ to }10\text{ }\Omega$ , $I_O = 0\text{ to }250\text{ mA}$	2	10		$\mu\text{F}$

1. For SO-8 package the maximum limit of load regulation and dropout is increased by 20 mV.

[查询"L4931ABD33-TR"供应商](#)

**Table 5. Electrical characteristics of L4931Cxx27** (refer to the test circuits,  $T_A = 25^\circ\text{C}$ ,  $C_I = 0.1\ \mu\text{F}$ ,  $C_O = 2.2\ \mu\text{F}$  unless otherwise specified).

Symbol	Parameter	Test conditions	Min.	Typ.	Max.	Unit
$V_O$	Output voltage	$I_O = 5\ \text{mA}$ , $V_I = 4.7\ \text{V}$	2.646	2.7	2.754	V
		$I_O = 5\ \text{mA}$ , $V_I = 4.7\ \text{V}$ , $T_A = -25\ \text{to}\ 85^\circ\text{C}$	2.592		2.808	
$V_I$	Operating input voltage	$I_O = 250\ \text{mA}$			20	V
$I_{\text{out}}$	Output current limit			300		mA
$\Delta V_O$	Line regulation	$V_I = 3.4\ \text{to}\ 20\ \text{V}$ , $I_O = 0.5\ \text{mA}$		3	18	mV
$\Delta V_O$	Load regulation <sup>(1)</sup>	$V_I = 3.6\ \text{V}$ , $I_O = 0.5\ \text{to}\ 250\ \text{mA}$		3	18	mV
$I_d$	Quiescent current ON MODE	$V_I = 3.6\ \text{to}\ 20\ \text{V}$ , $I_O = 0\ \text{mA}$		0.6	1	mA
		$V_I = 3.6\ \text{to}\ 20\ \text{V}$ , $I_O = 250\ \text{mA}$		4	6	
	OFF MODE	$V_I = 6\ \text{V}$		50	100	$\mu\text{A}$
SVR	Supply voltage rejection	$I_O = 5\ \text{mA}$ $V_I = 4.6 \pm 1\ \text{V}$	$f = 120\ \text{Hz}$		74	dB
			$f = 1\ \text{kHz}$		71	
			$f = 10\ \text{kHz}$		55	
eN	Output noise voltage	$B = 10\ \text{Hz to}\ 100\ \text{kHz}$		50		$\mu\text{V}$
$V_d$	Dropout voltage <sup>(1)</sup>	$I_O = 250\ \text{mA}$		0.4	0.6	V
		$I_O = 250\ \text{mA}$ , $T_A = -40\ \text{to}\ 125^\circ\text{C}$			0.8	V
$V_{\text{IL}}$	Control input logic low	$T_A = -40\ \text{to}\ 125^\circ\text{C}$			0.8	V
$V_{\text{IH}}$	Control Input Logic High	$T_A = -40\ \text{to}\ 125^\circ\text{C}$	2			V
$I_I$	Control input current	$V_I = 6\ \text{V}$ , $V_C = 6\ \text{V}$		10		$\mu\text{A}$
$C_O$	Output bypass capacitance	$\text{ESR} = 0.1\ \text{to}\ 10\ \Omega$ , $I_O = 0\ \text{to}\ 250\ \text{mA}$	2	10		$\mu\text{F}$

1. For SO-8 package the maximum limit of load regulation and dropout is increased by 20 mV.

[查询"L4931ABD33-TR"供应商](#)

**Table 6. Electrical characteristics of L4931Cxx27-TRY (Automotive Grade)** (refer to the test circuits,  $T_A = -40$  to  $125^\circ\text{C}$ ,  $C_I = 0.1\ \mu\text{F}$ ,  $C_O = 2.2\ \mu\text{F}$  unless otherwise specified).

Symbol	Parameter	Test conditions	Min.	Typ.	Max.	Unit
$V_O$	Output voltage	$I_O = 5\ \text{mA}$ , $V_I = 4.7\ \text{V}$ , $T_A = 25^\circ\text{C}$	2.646	2.7	2.754	V
		$I_O = 5\ \text{mA}$ , $V_I = 4.7\ \text{V}$	2.592		2.808	
$V_I$	Operating input voltage	$I_O = 250\ \text{mA}$			20	V
$I_{\text{out}}$	Output current limit	$T_A = 25^\circ\text{C}$		300		mA
$\Delta V_O$	Line regulation	$V_I = 3.4$ to $20\ \text{V}$ , $I_O = 0.5\ \text{mA}$			20	mV
$\Delta V_O$	Load regulation	$V_I = 3.6\ \text{V}$ , $I_O = 0.5$ to $250\ \text{mA}$			38	mV
$I_d$	Quiescent current ON MODE	$V_I = 3.6$ to $20\ \text{V}$ , $I_O = 0\ \text{mA}$			1	mA
		$V_I = 3.6$ to $20\ \text{V}$ , $I_O = 250\ \text{mA}$			6	
	OFF MODE	$V_I = 6\ \text{V}$			100	$\mu\text{A}$
SVR	Supply voltage rejection	$I_O = 5\ \text{mA}$ $V_I = 4.6 \pm 1\ \text{V}$ $T_A = 25^\circ\text{C}$	$f = 120\ \text{Hz}$		74	dB
			$f = 1\ \text{kHz}$		71	
			$f = 10\ \text{kHz}$		55	
eN	Output noise voltage	$B = 10\ \text{Hz}$ to $100\ \text{kHz}$ , $T_A = 25^\circ\text{C}$		50		$\mu\text{V}$
$V_d$	Dropout voltage	$I_O = 250\ \text{mA}$ , $T_A = 25^\circ\text{C}$		0.4	0.6	V
		$I_O = 250\ \text{mA}$			0.82	V
$V_{\text{IL}}$	Control input logic low				0.82	V
$V_{\text{IH}}$	Control Input Logic High		2			V
$I_I$	Control input current	$V_I = 6\ \text{V}$ , $V_C = 6\ \text{V}$ , $T_A = 25^\circ\text{C}$		10		$\mu\text{A}$
$C_O$	Output bypass capacitance	ESR = $0.1$ to $10\ \Omega$ , $I_O = 0$ to $250\ \text{mA}$ , $T_A = 25^\circ\text{C}$	2	10		$\mu\text{F}$

[查询"L4931ABD33-TR"供应商](#)

**Table 7. Electrical characteristics of L4931ABxx33** (refer to the test circuits,  $T_A = 25^\circ\text{C}$ ,  $C_I = 0.1\ \mu\text{F}$ ,  $C_O = 2.2\ \mu\text{F}$  unless otherwise specified).

Symbol	Parameter	Test conditions	Min.	Typ.	Max.	Unit
$V_O$	Output voltage	$I_O = 5\ \text{mA}$ , $V_I = 5.3\ \text{V}$	3.267	3.3	3.333	V
		$I_O = 5\ \text{mA}$ , $V_I = 5.3\ \text{V}$ , $T_A = -25\ \text{to}\ 85^\circ\text{C}$	3.234		3.366	
$V_I$	Operating input voltage	$I_O = 250\ \text{mA}$			20	V
$I_{\text{out}}$	Output current limit			300		mA
$\Delta V_O$	Line regulation	$V_I = 4\ \text{to}\ 20\ \text{V}$ , $I_O = 0.5\ \text{mA}$		3	15	mV
$\Delta V_O$	Load regulation <sup>(1)</sup>	$V_I = 4.2\ \text{V}$ , $I_O = 0.5\ \text{to}\ 250\ \text{mA}$		3	15	mV
$I_d$	Quiescent current ON MODE	$V_I = 4.2\ \text{to}\ 20\ \text{V}$ , $I_O = 0\ \text{mA}$		0.6	1	mA
		$V_I = 4.2\ \text{to}\ 20\ \text{V}$ , $I_O = 250\ \text{mA}$		4	6	
	OFF MODE	$V_I = 6\ \text{V}$		50	100	$\mu\text{A}$
SVR	Supply voltage rejection	$I_O = 5\ \text{mA}$ $V_I = 5.2 \pm 1\ \text{V}$	$f = 120\ \text{Hz}$		73	dB
			$f = 1\ \text{kHz}$		70	
			$f = 10\ \text{kHz}$		55	
eN	Output noise voltage	$B = 10\ \text{Hz to}\ 100\ \text{kHz}$		50		$\mu\text{V}$
$V_d$	Dropout voltage <sup>(1)</sup>	$I_O = 250\ \text{mA}$		0.4	0.6	V
		$I_O = 250\ \text{mA}$ , $T_A = -40\ \text{to}\ 125^\circ\text{C}$			0.8	V
$V_{\text{IL}}$	Control input logic low	$T_A = -40\ \text{to}\ 125^\circ\text{C}$			0.8	V
$V_{\text{IH}}$	Control Input Logic High	$T_A = -40\ \text{to}\ 125^\circ\text{C}$	2			V
$I_I$	Control input current	$V_I = 6\ \text{V}$ , $V_C = 6\ \text{V}$		10		$\mu\text{A}$
$C_O$	Output bypass capacitance	$\text{ESR} = 0.1\ \text{to}\ 10\ \Omega$ , $I_O = 0\ \text{to}\ 250\ \text{mA}$	2	10		$\mu\text{F}$

1. For SO-8 package the maximum limit of load regulation and dropout is increased by 20 mV.

[查询"L4931ABD33-TR"供应商](#)

**Table 8. Electrical characteristics of L4931Cxx33** (refer to the test circuits,  $T_A = 25^\circ\text{C}$ ,  $C_I = 0.1\ \mu\text{F}$ ,  $C_O = 2.2\ \mu\text{F}$  unless otherwise specified).

Symbol	Parameter	Test conditions	Min.	Typ.	Max.	Unit
$V_O$	Output voltage	$I_O = 5\ \text{mA}$ , $V_I = 5.3\ \text{V}$	3.234	3.3	3.366	V
		$I_O = 5\ \text{mA}$ , $V_I = 5.3\ \text{V}$ , $T_A = -25\ \text{to}\ 85^\circ\text{C}$	3.168		3.432	
$V_I$	Operating input voltage	$I_O = 250\ \text{mA}$			20	V
$I_{\text{out}}$	Output current limit			300		mA
$\Delta V_O$	Line regulation	$V_I = 4.1\ \text{to}\ 20\ \text{V}$ , $I_O = 0.5\ \text{mA}$		3	18	mV
$\Delta V_O$	Load regulation <sup>(1)</sup>	$V_I = 4.3\ \text{V}$ , $I_O = 0.5\ \text{to}\ 250\ \text{mA}$		3	18	mV
$I_d$	Quiescent current ON MODE	$V_I = 4.3\ \text{to}\ 20\ \text{V}$ , $I_O = 0\ \text{mA}$		0.6	1	mA
		$V_I = 4.3\ \text{to}\ 20\ \text{V}$ , $I_O = 250\ \text{mA}$		4	6	
	OFF MODE	$V_I = 6\ \text{V}$		50	100	$\mu\text{A}$
SVR	Supply voltage rejection	$I_O = 5\ \text{mA}$ $V_I = 5.3 \pm 1\ \text{V}$	$f = 120\ \text{Hz}$		73	dB
			$f = 1\ \text{kHz}$		70	
			$f = 10\ \text{kHz}$		55	
eN	Output noise voltage	$B = 10\ \text{Hz to}\ 100\ \text{kHz}$		50		$\mu\text{V}$
$V_d$	Dropout voltage <sup>(1)</sup>	$I_O = 250\ \text{mA}$		0.4	0.6	V
		$I_O = 250\ \text{mA}$ , $T_A = -40\ \text{to}\ 125^\circ\text{C}$			0.8	V
$V_{\text{IL}}$	Control input logic low	$T_A = -40\ \text{to}\ 125^\circ\text{C}$			0.8	V
$V_{\text{IH}}$	Control Input Logic High	$T_A = -40\ \text{to}\ 125^\circ\text{C}$	2			V
$I_I$	Control input current	$V_I = 6\ \text{V}$ , $V_C = 6\ \text{V}$		10		$\mu\text{A}$
$C_O$	Output bypass capacitance	$\text{ESR} = 0.1\ \text{to}\ 10\ \Omega$ , $I_O = 0\ \text{to}\ 250\ \text{mA}$	2	10		$\mu\text{F}$

1. For SO-8 package the maximum limit of load regulation and dropout is increased by 20 mV.

[查询"L4931ABD33-TR"供应商](#)

**Table 9. Electrical characteristics of L4931Cxx33-TRY (Automotive Grade)** (refer to the test circuits,  $T_A = -40$  to  $125$  °C,  $C_I = 0.1$   $\mu$ F,  $C_O = 2.2$   $\mu$ F unless otherwise specified).

Symbol	Parameter	Test conditions	Min.	Typ.	Max.	Unit
$V_O$	Output voltage	$I_O = 5$ mA, $V_I = 5.3$ V, $T_A = 25$ °C	3.234	3.3	3.366	V
		$I_O = 5$ mA, $V_I = 5.3$ V	3.168		3.432	
$V_I$	Operating input voltage	$I_O = 250$ mA			20	V
$I_{out}$	Output current limit	$T_A = 25$ °C		300		mA
$\Delta V_O$	Line regulation	$V_I = 4.1$ to $20$ V, $I_O = 0.5$ mA			20	mV
$\Delta V_O$	Load regulation	$V_I = 4.3$ V, $I_O = 0.5$ to $250$ mA			38	mV
$I_d$	Quiescent current ON MODE	$V_I = 4.3$ to $20$ V, $I_O = 0$ mA			1	mA
		$V_I = 4.3$ to $20$ V, $I_O = 250$ mA			6	
	OFF MODE	$V_I = 6$ V			100	$\mu$ A
SVR	Supply voltage rejection	$I_O = 5$ mA $V_I = 5.3 \pm 1$ V $T_A = 25$ °C	$f = 120$ Hz		73	dB
			$f = 1$ kHz		70	
			$f = 10$ kHz		55	
eN	Output noise voltage	$B = 10$ Hz to $100$ kHz, $T_A = 25$ °C		50		$\mu$ V
$V_d$	Dropout voltage	$I_O = 250$ mA, $T_A = 25$ °C		0.4	0.6	V
		$I_O = 250$ mA			0.82	V
$V_{IL}$	Control input logic low				0.82	V
$V_{IH}$	Control Input Logic High		2			V
$I_I$	Control input current	$V_I = 6$ V, $V_C = 6$ V, $T_A = 25$ °C		10		$\mu$ A
$C_O$	Output bypass capacitance	ESR = $0.1$ to $10$ $\Omega$ , $I_O = 0$ to $250$ mA, $T_A = 25$ °C	2	10		$\mu$ F

[查询"L4931ABD33-TR"供应商](#)

**Table 10. Electrical characteristics of L4931ABxx35** (refer to the test circuits,  $T_A = 25^\circ\text{C}$ ,  $C_I = 0.1\ \mu\text{F}$ ,  $C_O = 2.2\ \mu\text{F}$  unless otherwise specified).

Symbol	Parameter	Test conditions	Min.	Typ.	Max.	Unit
$V_O$	Output voltage	$I_O = 5\ \text{mA}$ , $V_I = 5.5\ \text{V}$	3.465	3.5	3.535	V
		$I_O = 5\ \text{mA}$ , $V_I = 5.5\ \text{V}$ , $T_A = -25\ \text{to}\ 85^\circ\text{C}$	3.43		3.57	
$V_I$	Operating input voltage	$I_O = 250\ \text{mA}$			20	V
$I_{\text{out}}$	Output current limit			300		mA
$\Delta V_O$	Line regulation	$V_I = 4.2\ \text{to}\ 20\ \text{V}$ , $I_O = 0.5\ \text{mA}$		3	15	mV
$\Delta V_O$	Load regulation <sup>(1)</sup>	$V_I = 4.4\ \text{V}$ , $I_O = 0.5\ \text{to}\ 250\ \text{mA}$		3	15	mV
$I_d$	Quiescent current ON MODE	$V_I = 4.4\ \text{to}\ 20\ \text{V}$ , $I_O = 0\ \text{mA}$		0.6	1	mA
		$V_I = 4.4\ \text{to}\ 20\ \text{V}$ , $I_O = 250\ \text{mA}$		4	6	
	OFF MODE	$V_I = 6\ \text{V}$		50	100	$\mu\text{A}$
SVR	Supply voltage rejection	$I_O = 5\ \text{mA}$ $V_I = 5.4 \pm 1\ \text{V}$	$f = 120\ \text{Hz}$		73	dB
			$f = 1\ \text{kHz}$		70	
			$f = 10\ \text{kHz}$		55	
eN	Output noise voltage	$B = 10\ \text{Hz to}\ 100\ \text{kHz}$		50		$\mu\text{V}$
$V_d$	Dropout voltage <sup>(1)</sup>	$I_O = 250\ \text{mA}$		0.4	0.6	V
		$I_O = 250\ \text{mA}$ , $T_A = -40\ \text{to}\ 125^\circ\text{C}$			0.8	V
$V_{\text{IL}}$	Control input logic low	$T_A = -40\ \text{to}\ 125^\circ\text{C}$			0.8	V
$V_{\text{IH}}$	Control Input Logic High	$T_A = -40\ \text{to}\ 125^\circ\text{C}$	2			V
$I_I$	Control input current	$V_I = 6\ \text{V}$ , $V_C = 6\ \text{V}$		10		$\mu\text{A}$
$C_O$	Output bypass capacitance	$\text{ESR} = 0.1\ \text{to}\ 10\ \Omega$ , $I_O = 0\ \text{to}\ 250\ \text{mA}$	2	10		$\mu\text{F}$

1. For SO-8 package the maximum limit of load regulation and dropout is increased by 20 mV.

[查询"L4931ABD33-TR"供应商](#)

**Table 11. Electrical characteristics of L4931ABxx35-TRY (Automotive Grade)** (refer to the test circuits,  $T_A = -40$  to  $125$  °C,  $C_I = 0.1$   $\mu$ F,  $C_O = 2.2$   $\mu$ F unless otherwise specified).

Symbol	Parameter	Test conditions	Min.	Typ.	Max.	Unit
$V_O$	Output voltage	$I_O = 5$ mA, $V_I = 5.5$ V, $T_A = 25$ °C	3.465	3.5	3.535	V
		$I_O = 5$ mA, $V_I = 5.5$ V	3.43		3.57	
$V_I$	Operating input voltage	$I_O = 250$ mA			20	V
$I_{out}$	Output current limit	$T_A = 25$ °C		300		mA
$\Delta V_O$	Line regulation	$V_I = 4.2$ to $20$ V, $I_O = 0.5$ mA			17	mV
$\Delta V_O$	Load regulation	$V_I = 4.4$ V, $I_O = 0.5$ to $250$ mA			35	mV
$I_d$	Quiescent current ON MODE	$V_I = 4.4$ to $20$ V, $I_O = 0$ mA			1	mA
		$V_I = 4.4$ to $20$ V, $I_O = 250$ mA			6	
	OFF MODE	$V_I = 6$ V			100	$\mu$ A
SVR	Supply voltage rejection	$I_O = 5$ mA $V_I = 5.4 \pm 1$ V $T_A = 25$ °C	$f = 120$ Hz		73	dB
			$f = 1$ kHz		70	
			$f = 10$ kHz		55	
eN	Output noise voltage	$B = 10$ Hz to $100$ kHz, $T_A = 25$ °C		50		$\mu$ V
$V_d$	Dropout voltage	$I_O = 250$ mA, $T_A = 25$ °C		0.4	0.6	V
		$I_O = 250$ mA			0.82	V
$V_{IL}$	Control input logic low				0.82	V
$V_{IH}$	Control Input Logic High		2			V
$I_I$	Control input current	$V_I = 6$ V, $V_C = 6$ V, $T_A = 25$ °C		10		$\mu$ A
$C_O$	Output bypass capacitance	ESR = $0.1$ to $10$ $\Omega$ , $I_O = 0$ to $250$ mA, $T_A = 25$ °C	2	10		$\mu$ F



[查询"L4931ABD33-TR"供应商](#)

**Table 12. Electrical characteristics of L4931Cxx35** (refer to the test circuits,  $T_A = 25^\circ\text{C}$ ,  $C_I = 0.1\ \mu\text{F}$ ,  $C_O = 2.2\ \mu\text{F}$  unless otherwise specified).

Symbol	Parameter	Test conditions	Min.	Typ.	Max.	Unit
$V_O$	Output voltage	$I_O = 5\ \text{mA}$ , $V_I = 5.5\ \text{V}$	3.43	3.5	3.57	V
		$I_O = 5\ \text{mA}$ , $V_I = 5.5\ \text{V}$ , $T_A = -25\ \text{to}\ 85^\circ\text{C}$	3.36		3.64	
$V_I$	Operating input voltage	$I_O = 250\ \text{mA}$			20	V
$I_{\text{out}}$	Output current limit			300		mA
$\Delta V_O$	Line regulation	$V_I = 4.3\ \text{to}\ 20\ \text{V}$ , $I_O = 0.5\ \text{mA}$		3	18	mV
$\Delta V_O$	Load regulation <sup>(1)</sup>	$V_I = 4.5\ \text{V}$ , $I_O = 0.5\ \text{to}\ 250\ \text{mA}$		3	18	mV
$I_d$	Quiescent current ON MODE	$V_I = 4.5\ \text{to}\ 20\ \text{V}$ , $I_O = 0\ \text{mA}$		0.6	1	mA
		$V_I = 4.5\ \text{to}\ 20\ \text{V}$ , $I_O = 250\ \text{mA}$		4	6	
	OFF MODE	$V_I = 6\ \text{V}$		50	100	$\mu\text{A}$
SVR	Supply voltage rejection	$I_O = 5\ \text{mA}$ $V_I = 5.5 \pm 1\ \text{V}$	$f = 120\ \text{Hz}$		73	dB
			$f = 1\ \text{kHz}$		70	
			$f = 10\ \text{kHz}$		55	
eN	Output noise voltage	$B = 10\ \text{Hz to}\ 100\ \text{kHz}$		50		$\mu\text{V}$
$V_d$	Dropout voltage <sup>(1)</sup>	$I_O = 250\ \text{mA}$		0.4	0.6	V
		$I_O = 250\ \text{mA}$ , $T_A = -40\ \text{to}\ 125^\circ\text{C}$			0.8	V
$V_{\text{IL}}$	Control input logic low	$T_A = -40\ \text{to}\ 125^\circ\text{C}$			0.8	V
$V_{\text{IH}}$	Control Input Logic High	$T_A = -40\ \text{to}\ 125^\circ\text{C}$	2			V
$I_I$	Control input current	$V_I = 6\ \text{V}$ , $V_C = 6\ \text{V}$		10		$\mu\text{A}$
$C_O$	Output bypass capacitance	$\text{ESR} = 0.1\ \text{to}\ 10\ \Omega$ , $I_O = 0\ \text{to}\ 250\ \text{mA}$	2	10		$\mu\text{F}$

1. For SO-8 package the maximum limit of load regulation and dropout is increased by 20 mV.

[查询"L4931ABD33-TR"供应商](#)

**Table 13. Electrical characteristics of L4931ABxx50** (refer to the test circuits,  $T_A = 25^\circ\text{C}$ ,  $C_I = 0.1\ \mu\text{F}$ ,  $C_O = 2.2\ \mu\text{F}$  unless otherwise specified).

Symbol	Parameter	Test conditions	Min.	Typ.	Max.	Unit
$V_O$	Output voltage	$I_O = 5\ \text{mA}$ , $V_I = 7\ \text{V}$	4.95	5	5.05	V
		$I_O = 5\ \text{mA}$ , $V_I = 7\ \text{V}$ , $T_A = -25\ \text{to}\ 85^\circ\text{C}$	4.9		5.1	
$V_I$	Operating input voltage	$I_O = 250\ \text{mA}$			20	V
$I_{\text{out}}$	Output current limit			300		mA
$\Delta V_O$	Line regulation	$V_I = 5.8\ \text{to}\ 20\ \text{V}$ , $I_O = 0.5\ \text{mA}$		3.5	17.5	mV
$\Delta V_O$	Load regulation <sup>(1)</sup>	$V_I = 6\ \text{V}$ , $I_O = 0.5\ \text{to}\ 250\ \text{mA}$		3	15	mV
$I_d$	Quiescent current ON MODE	$V_I = 6\ \text{to}\ 20\ \text{V}$ , $I_O = 0\ \text{mA}$		0.6	1	mA
		$V_I = 6\ \text{to}\ 20\ \text{V}$ , $I_O = 250\ \text{mA}$		4	6	
	OFF MODE	$V_I = 6\ \text{V}$		50	100	$\mu\text{A}$
SVR	Supply voltage rejection	$I_O = 5\ \text{mA}$ $V_I = 7 \pm 1\ \text{V}$	$f = 120\ \text{Hz}$		70	dB
			$f = 1\ \text{kHz}$		67	
			$f = 10\ \text{kHz}$		55	
eN	Output noise voltage	$B = 10\ \text{Hz to}\ 100\ \text{kHz}$		50		$\mu\text{V}$
$V_d$	Dropout voltage <sup>(1)</sup>	$I_O = 250\ \text{mA}$		0.4	0.6	V
		$I_O = 250\ \text{mA}$ , $T_A = -40\ \text{to}\ 125^\circ\text{C}$			0.8	V
$V_{\text{IL}}$	Control input logic low	$T_A = -40\ \text{to}\ 125^\circ\text{C}$			0.8	V
$V_{\text{IH}}$	Control Input Logic High	$T_A = -40\ \text{to}\ 125^\circ\text{C}$	2			V
$I_I$	Control input current	$V_I = 6\ \text{V}$ , $V_C = 6\ \text{V}$		10		$\mu\text{A}$
$C_O$	Output bypass capacitance	$\text{ESR} = 0.1\ \text{to}\ 10\ \Omega$ , $I_O = 0\ \text{to}\ 250\ \text{mA}$	2	10		$\mu\text{F}$

1. For SO-8 package the maximum limit of load regulation and dropout is increased by 20 mV.

[查询"L4931ABD33-TR"供应商](#)

**Table 14. Electrical characteristics of L4931Cxx50** (refer to the test circuits,  $T_A = 25^\circ\text{C}$ ,  $C_I = 0.1\ \mu\text{F}$ ,  $C_O = 2.2\ \mu\text{F}$  unless otherwise specified).

Symbol	Parameter	Test conditions	Min.	Typ.	Max.	Unit
$V_O$	Output voltage	$I_O = 5\ \text{mA}$ , $V_I = 7\ \text{V}$	4.9	5	5.1	V
		$I_O = 5\ \text{mA}$ , $V_I = 7\ \text{V}$ , $T_A = -25\ \text{to}\ 85^\circ\text{C}$	4.8		5.2	
$V_I$	Operating input voltage	$I_O = 250\ \text{mA}$			20	V
$I_{\text{out}}$	Output current limit			300		mA
$\Delta V_O$	Line regulation	$V_I = 5.8\ \text{to}\ 20\ \text{V}$ , $I_O = 0.5\ \text{mA}$		3.5	17.5	mV
$\Delta V_O$	Load regulation <sup>(1)</sup>	$V_I = 6\ \text{V}$ , $I_O = 0.5\ \text{to}\ 250\ \text{mA}$		3	15	mV
$I_d$	Quiescent current ON MODE	$V_I = 6\ \text{to}\ 20\ \text{V}$ , $I_O = 0\ \text{mA}$		0.6	1	mA
		$V_I = 6\ \text{to}\ 20\ \text{V}$ , $I_O = 250\ \text{mA}$		4	6	
	OFF MODE	$V_I = 6\ \text{V}$		50	100	$\mu\text{A}$
SVR	Supply voltage rejection	$I_O = 5\ \text{mA}$ $V_I = 7 \pm 1\ \text{V}$	$f = 120\ \text{Hz}$		70	dB
			$f = 1\ \text{kHz}$		67	
			$f = 10\ \text{kHz}$		55	
eN	Output noise voltage	$B = 10\ \text{Hz to}\ 100\ \text{kHz}$		50		$\mu\text{V}$
$V_d$	Dropout voltage <sup>(1)</sup>	$I_O = 250\ \text{mA}$		0.4	0.6	V
		$I_O = 250\ \text{mA}$ , $T_A = -40\ \text{to}\ 125^\circ\text{C}$			0.8	V
$V_{\text{IL}}$	Control input logic low	$T_A = -40\ \text{to}\ 125^\circ\text{C}$			0.8	V
$V_{\text{IH}}$	Control Input Logic High	$T_A = -40\ \text{to}\ 125^\circ\text{C}$	2			V
$I_I$	Control input current	$V_I = 6\ \text{V}$ , $V_C = 6\ \text{V}$		10		$\mu\text{A}$
$C_O$	Output bypass capacitance	$\text{ESR} = 0.1\ \text{to}\ 10\ \Omega$ , $I_O = 0\ \text{to}\ 250\ \text{mA}$	2	10		$\mu\text{F}$

1. For SO-8 package the maximum limit of load regulation and dropout is increased by 20 mV.

[查询"L4931ABD33-TR"供应商](#)

**Table 15. Electrical characteristics of L4931ABxx80** (refer to the test circuits,  $T_A = 25^\circ\text{C}$ ,  $C_I = 0.1\ \mu\text{F}$ ,  $C_O = 2.2\ \mu\text{F}$  unless otherwise specified).

Symbol	Parameter	Test conditions	Min.	Typ.	Max.	Unit
$V_O$	Output voltage	$I_O = 5\ \text{mA}$ , $V_I = 10\ \text{V}$	7.92	8	8.08	V
		$I_O = 5\ \text{mA}$ , $V_I = 10\ \text{V}$ , $T_A = -25$ to $85^\circ\text{C}$	7.84		8.16	
$V_I$	Operating input voltage	$I_O = 250\ \text{mA}$			20	V
$I_{\text{out}}$	Output current limit			300		mA
$\Delta V_O$	Line regulation	$V_I = 8.8$ to $20\ \text{V}$ , $I_O = 0.5\ \text{mA}$		4	20	mV
$\Delta V_O$	Load regulation <sup>(1)</sup>	$V_I = 9\ \text{V}$ , $I_O = 0.5$ to $250\ \text{mA}$		3	15	mV
$I_d$	Quiescent current ON MODE	$V_I = 9$ to $20\ \text{V}$ , $I_O = 0\ \text{mA}$		0.8	1.6	mA
		$V_I = 9$ to $20\ \text{V}$ , $I_O = 250\ \text{mA}$		4.5	7	
	OFF MODE	$V_I = 6\ \text{V}$		70	140	$\mu\text{A}$
SVR	Supply voltage rejection	$I_O = 5\ \text{mA}$ $V_I = 10 \pm 1\ \text{V}$	$f = 120\ \text{Hz}$		67	dB
			$f = 1\ \text{kHz}$		64	
			$f = 10\ \text{kHz}$		55	
eN	Output noise voltage	$B = 10\ \text{Hz}$ to $100\ \text{kHz}$		50		$\mu\text{V}$
$V_d$	Dropout voltage <sup>(1)</sup>	$I_O = 250\ \text{mA}$		0.4	0.6	V
		$I_O = 250\ \text{mA}$ , $T_A = -40$ to $125^\circ\text{C}$			0.8	V
$V_{\text{IL}}$	Control input logic low	$T_A = -40$ to $125^\circ\text{C}$			0.8	V
$V_{\text{IH}}$	Control Input Logic High	$T_A = -40$ to $125^\circ\text{C}$	2			V
$I_I$	Control input current	$V_I = 6\ \text{V}$ , $V_C = 6\ \text{V}$		10		$\mu\text{A}$
$C_O$	Output bypass capacitance	$\text{ESR} = 0.1$ to $10\ \Omega$ , $I_O = 0$ to $250\ \text{mA}$	2	10		$\mu\text{F}$

1. For SO-8 package the maximum limit of load regulation and dropout is increased by 20 mV.

[查询"L4931ABD33-TR"供应商](#)

**Table 16. Electrical characteristics of L4931Cxx80** (refer to the test circuits,  $T_A = 25^\circ\text{C}$ ,  $C_I = 0.1\ \mu\text{F}$ ,  $C_O = 2.2\ \mu\text{F}$  unless otherwise specified).

Symbol	Parameter	Test conditions	Min.	Typ.	Max.	Unit
$V_O$	Output voltage	$I_O = 5\ \text{mA}$ , $V_I = 10\ \text{V}$	7.84	8	8.16	V
		$I_O = 5\ \text{mA}$ , $V_I = 10\ \text{V}$ , $T_A = -25\ \text{to}\ 85^\circ\text{C}$	7.68		8.32	
$V_I$	Operating input voltage	$I_O = 250\ \text{mA}$			20	V
$I_{\text{out}}$	Output current limit			300		mA
$\Delta V_O$	Line regulation	$V_I = 8.9\ \text{to}\ 20\ \text{V}$ , $I_O = 0.5\ \text{mA}$		4	24	mV
$\Delta V_O$	Load regulation <sup>(1)</sup>	$V_I = 9.1\ \text{V}$ , $I_O = 0.5\ \text{to}\ 250\ \text{mA}$		3	18	mV
$I_d$	Quiescent current ON MODE	$V_I = 9.1\ \text{to}\ 20\ \text{V}$ , $I_O = 0\ \text{mA}$		0.8	1.6	mA
		$V_I = 9.1\ \text{to}\ 20\ \text{V}$ , $I_O = 250\ \text{mA}$		4.5	7	
	OFF MODE	$V_I = 6\ \text{V}$		70	140	$\mu\text{A}$
SVR	Supply voltage rejection	$I_O = 5\ \text{mA}$ $V_I = 10.1 \pm 1\ \text{V}$	$f = 120\ \text{Hz}$		67	dB
			$f = 1\ \text{kHz}$		64	
			$f = 10\ \text{kHz}$		55	
eN	Output noise voltage	$B = 10\ \text{Hz}\ \text{to}\ 100\ \text{kHz}$		50		$\mu\text{V}$
$V_d$	Dropout voltage <sup>(1)</sup>	$I_O = 250\ \text{mA}$		0.4	0.6	V
		$I_O = 250\ \text{mA}$ , $T_A = -40\ \text{to}\ 125^\circ\text{C}$			0.8	V
$V_{\text{IL}}$	Control input logic low	$T_A = -40\ \text{to}\ 125^\circ\text{C}$			0.8	V
$V_{\text{IH}}$	Control Input Logic High	$T_A = -40\ \text{to}\ 125^\circ\text{C}$	2			V
$I_I$	Control input current	$V_I = 6\ \text{V}$ , $V_C = 6\ \text{V}$		10		$\mu\text{A}$
$C_O$	Output bypass capacitance	$\text{ESR} = 0.1\ \text{to}\ 10\ \Omega$ , $I_O = 0\ \text{to}\ 250\ \text{mA}$	2	10		$\mu\text{F}$

1. For SO-8 package the maximum limit of load regulation and dropout is increased by 20 mV.

[查询"L4931ABD33-TR"供应商](#)

**Table 17. Electrical characteristics of L4931ABxx120** (refer to the test circuits,  $T_A = 25\text{ }^\circ\text{C}$ ,  $C_I = 0.1\text{ }\mu\text{F}$ ,  $C_O = 2.2\text{ }\mu\text{F}$  unless otherwise specified).

Symbol	Parameter	Test conditions	Min.	Typ.	Max.	Unit
$V_O$	Output voltage	$I_O = 5\text{ mA}$ , $V_I = 14\text{ V}$	11.88	12	12.12	V
		$I_O = 5\text{ mA}$ , $V_I = 14\text{ V}$ , $T_A = -25\text{ to }85\text{ }^\circ\text{C}$	11.76		12.24	
$V_I$	Operating input voltage	$I_O = 250\text{ mA}$			20	V
$I_{out}$	Output current limit			300		mA
$\Delta V_O$	Line regulation	$V_I = 12.8\text{ to }20\text{ V}$ , $I_O = 0.5\text{ mA}$		4	20	mV
$\Delta V_O$	Load regulation <sup>(1)</sup>	$V_I = 13\text{ V}$ , $I_O = 0.5\text{ to }250\text{ mA}$		3	15	mV
$I_d$	Quiescent current ON MODE	$V_I = 13\text{ to }20\text{ V}$ , $I_O = 0\text{ mA}$		0.8	1.6	mA
		$V_I = 13\text{ to }20\text{ V}$ , $I_O = 250\text{ mA}$		4.5	7	
	OFF MODE	$V_I = 6\text{ V}$		90	180	$\mu\text{A}$
SVR	Supply voltage rejection	$I_O = 5\text{ mA}$ $V_I = 14 \pm 1\text{ V}$	$f = 120\text{ Hz}$		64	dB
			$f = 1\text{ kHz}$		61	
			$f = 10\text{ kHz}$		55	
eN	Output noise voltage	$B = 10\text{ Hz to }100\text{ kHz}$		50		$\mu\text{V}$
$V_d$	Dropout voltage <sup>(1)</sup>	$I_O = 250\text{ mA}$		0.4	0.6	V
		$I_O = 250\text{ mA}$ , $T_A = -40\text{ to }125\text{ }^\circ\text{C}$			0.8	V
$V_{IL}$	Control input logic low	$T_A = -40\text{ to }125\text{ }^\circ\text{C}$			0.8	V
$V_{IH}$	Control Input Logic High	$T_A = -40\text{ to }125\text{ }^\circ\text{C}$	2			V
$I_I$	Control input current	$V_I = 6\text{ V}$ , $V_C = 6\text{ V}$		10		$\mu\text{A}$
$C_O$	Output bypass capacitance	$\text{ESR} = 0.1\text{ to }10\text{ }\Omega$ , $I_O = 0\text{ to }250\text{ mA}$	2	10		$\mu\text{F}$

1. For SO-8 package the maximum limit of load regulation and dropout is increased by 20 mV.

[查询"L4931ABD33-TR"供应商](#)

**Table 18. Electrical characteristics of L4931Cxx120** (refer to the test circuits,  $T_A = 25\text{ }^\circ\text{C}$ ,  $C_I = 0.1\text{ }\mu\text{F}$ ,  $C_O = 2.2\text{ }\mu\text{F}$  unless otherwise specified).

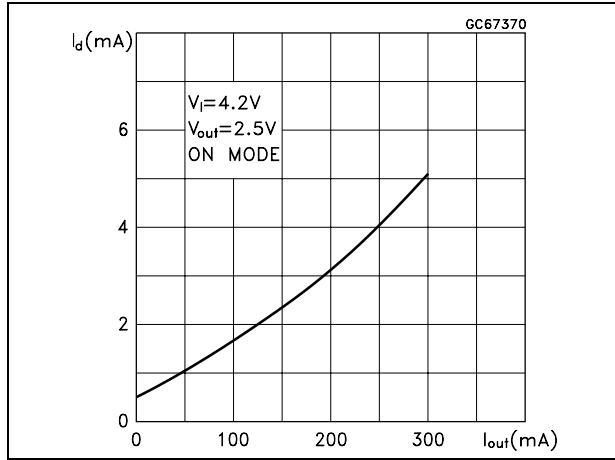
Symbol	Parameter	Test conditions	Min.	Typ.	Max.	Unit
$V_O$	Output voltage	$I_O = 5\text{ mA}$ , $V_I = 14\text{ V}$	11.76	12	12.24	V
		$I_O = 5\text{ mA}$ , $V_I = 14\text{ V}$ , $T_A = -25\text{ to }85\text{ }^\circ\text{C}$	11.52		12.48	
$V_I$	Operating input voltage	$I_O = 250\text{ mA}$			20	V
$I_{out}$	Output current limit			300		mA
$\Delta V_O$	Line regulation	$V_I = 12.9\text{ to }20\text{ V}$ , $I_O = 0.5\text{ mA}$		4	24	mV
$\Delta V_O$	Load regulation <sup>(1)</sup>	$V_I = 13.1\text{ V}$ , $I_O = 0.5\text{ to }250\text{ mA}$		3	18	mV
$I_d$	Quiescent current ON MODE	$V_I = 13.1\text{ to }20\text{ V}$ , $I_O = 0\text{ mA}$		0.8	1.6	mA
		$V_I = 13.1\text{ to }20\text{ V}$ , $I_O = 250\text{ mA}$		4.5	7	
	OFF MODE	$V_I = 6\text{ V}$		90	180	$\mu\text{A}$
SVR	Supply voltage rejection	$I_O = 5\text{ mA}$ $V_I = 14.1 \pm 1\text{ V}$	$f = 120\text{ Hz}$		64	dB
			$f = 1\text{ kHz}$		61	
			$f = 10\text{ kHz}$		55	
eN	Output noise voltage	$B = 10\text{ Hz to }100\text{ kHz}$		50		$\mu\text{V}$
$V_d$	Dropout voltage <sup>(1)</sup>	$I_O = 250\text{ mA}$		0.4	0.6	V
		$I_O = 250\text{ mA}$ , $T_A = -40\text{ to }125\text{ }^\circ\text{C}$			0.8	V
$V_{IL}$	Control input logic low	$T_A = -40\text{ to }125\text{ }^\circ\text{C}$			0.8	V
$V_{IH}$	Control Input Logic High	$T_A = -40\text{ to }125\text{ }^\circ\text{C}$	2			V
$I_I$	Control input current	$V_I = 6\text{ V}$ , $V_C = 6\text{ V}$		10		$\mu\text{A}$
$C_O$	Output bypass capacitance	$\text{ESR} = 0.1\text{ to }10\text{ }\Omega$ , $I_O = 0\text{ to }250\text{ mA}$	2	10		$\mu\text{F}$

1. For SO-8 package the maximum limit of load regulation and dropout is increased by 20 mV.

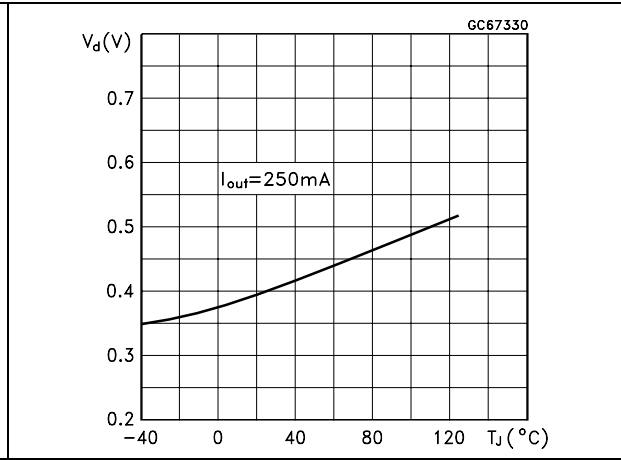
[查询"L4931ABD33-TR"供应商](#)

# 6 Typical application

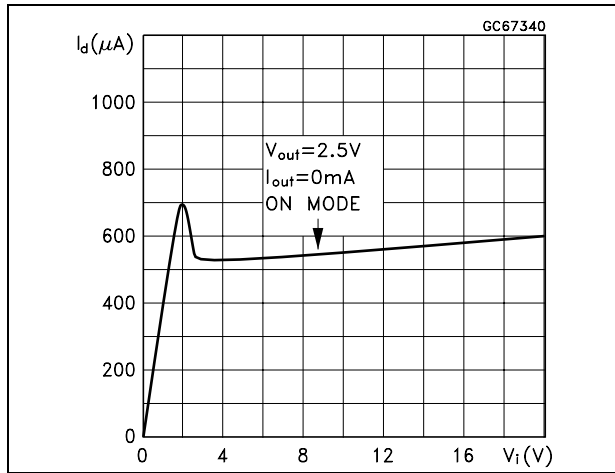
**Figure 4. Line regulation vs temperature**



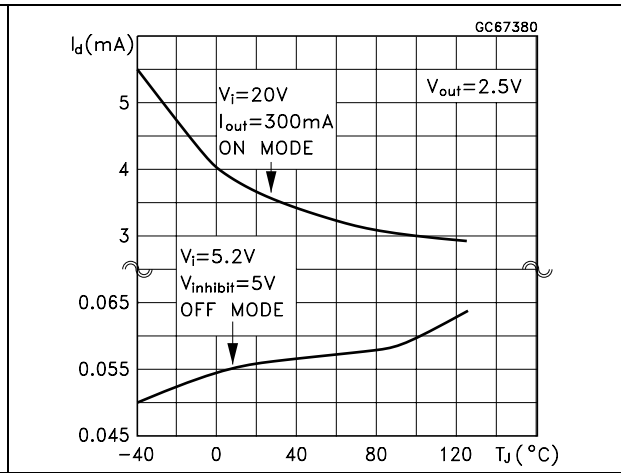
**Figure 5. Dropout voltage vs temperature**



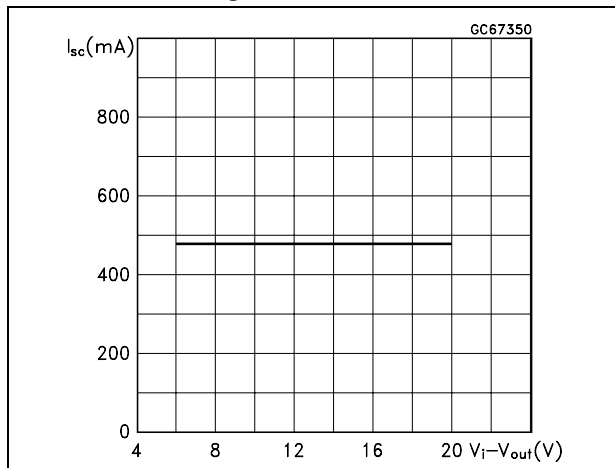
**Figure 6. Supply current vs input voltage**



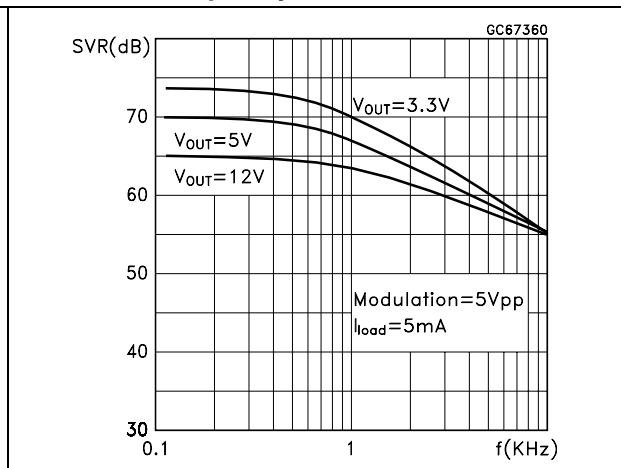
**Figure 7. Supply current vs temperature**



**Figure 8. Short circuit current vs dropout voltage**



**Figure 9. SVR vs input voltage signal frequency**





[查询"L4931ABD33-TR"供应商](#)

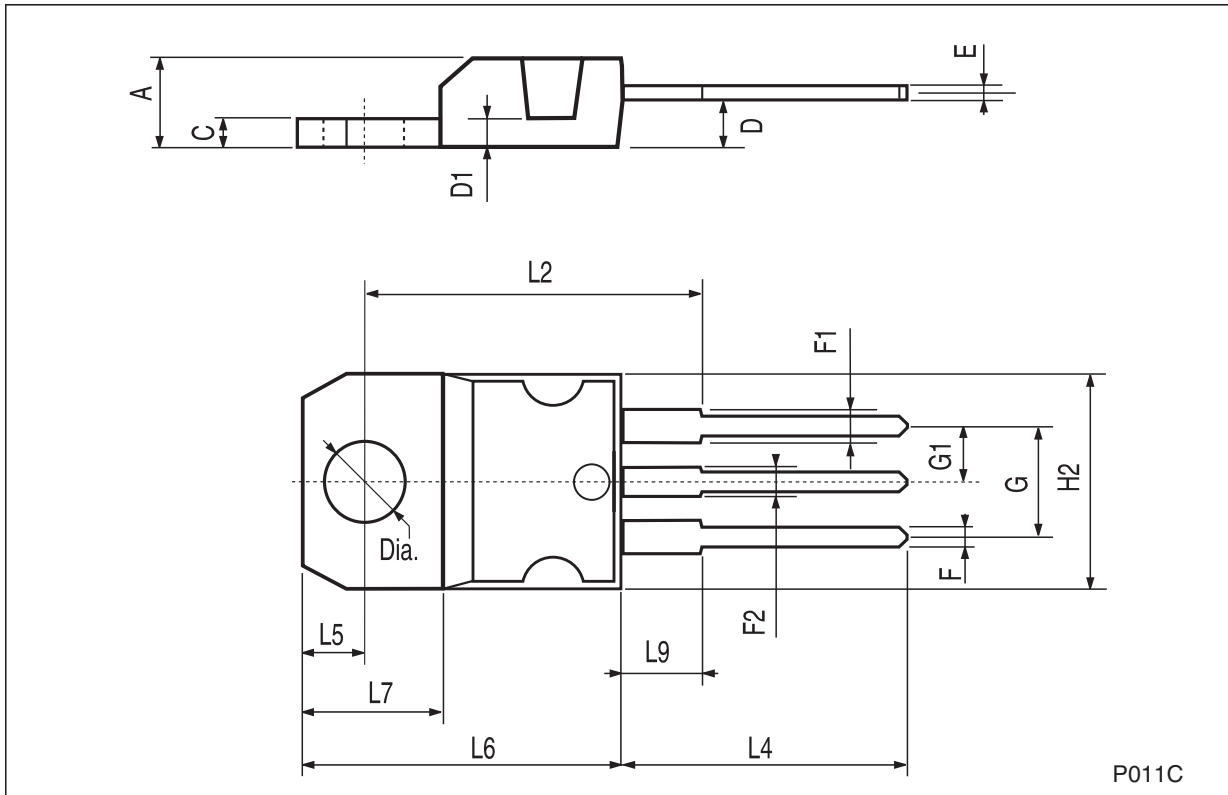
## 7 Package mechanical data

In order to meet environmental requirements, ST offers these devices in ECOPACK<sup>®</sup> packages. These packages have a lead-free second level interconnect. The category of second Level Interconnect is marked on the package and on the inner box label, in compliance with JEDEC Standard JESD97. The maximum ratings related to soldering conditions are also marked on the inner box label. ECOPACK is an ST trademark. ECOPACK specifications are available at: [www.st.com](http://www.st.com).

[查询"L4931ABD33-TR"供应商](#)

**TO-220 mechanical data**

Dim.	mm.			inch.		
	Min.	Typ.	Max.	Min.	Typ.	Max.
A	4.40		4.60	0.173		0.181
C	1.23		1.32	0.048		0.051
D	2.40		2.72	0.094		0.107
D1		1.27			0.050	
E	0.49		0.70	0.019		0.027
F	0.61		0.88	0.024		0.034
F1	1.14		1.70	0.044		0.067
F2	1.14		1.70	0.044		0.067
G	4.95		5.15	0.194		0.203
G1	2.4		2.7	0.094		0.106
H2	10.0		10.40	0.393		0.409
L2		16.4			0.645	
L4	13.0		14.0	0.511		0.551
L5	2.65		2.95	0.104		0.116
L6	15.25		15.75	0.600		0.620
L7	6.2		6.6	0.244		0.260
L9	3.5		3.93	0.137		0.154
DIA.	3.75		3.85	0.147		0.151

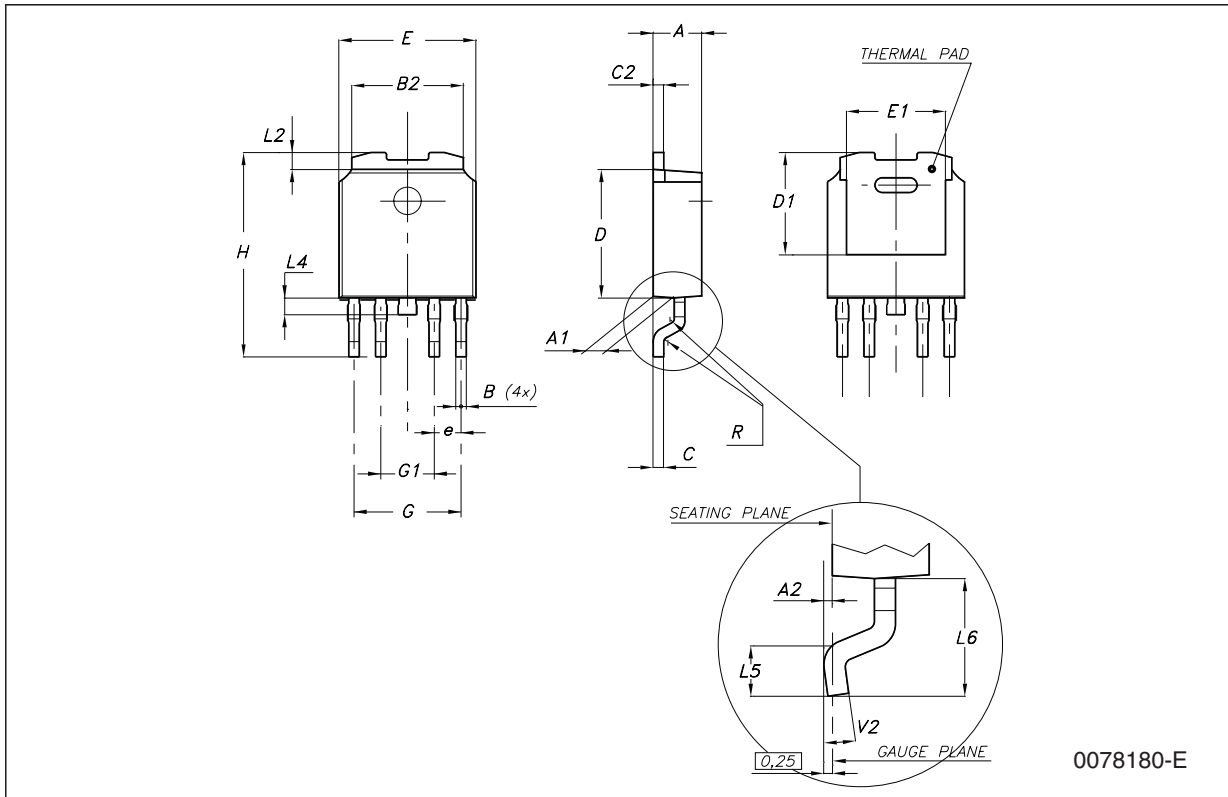




[查询"L4931ABD33-TR"供应商](#)

**PPAK mechanical data**

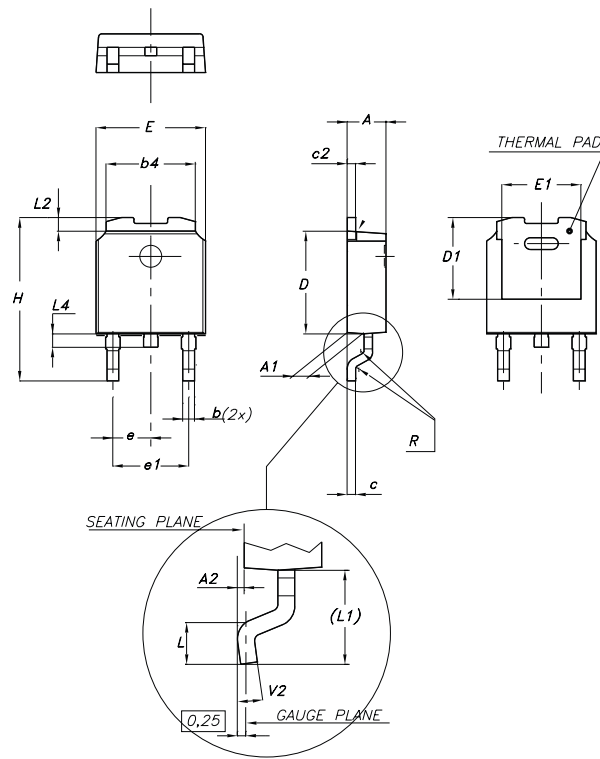
Dim.	mm.			inch.		
	Min.	Typ.	Max.	Min.	Typ.	Max.
A	2.2		2.4	0.086		0.094
A1	0.9		1.1	0.035		0.043
A2	0.03		0.23	0.001		0.009
B	0.4		0.6	0.015		0.023
B2	5.2		5.4	0.204		0.212
C	0.45		0.6	0.017		0.023
C2	0.48		0.6	0.019		0.023
D	6		6.2	0.236		0.244
D1		5.1			0.201	
E	6.4		6.6	0.252		0.260
E1		4.7			0.185	
e		1.27			0.050	
G	4.9		5.25	0.193		0.206
G1	2.38		2.7	0.093		0.106
H	9.35		10.1	0.368		0.397
L2		0.8	1		0.031	0.039
L4	0.6		1	0.023		0.039
L5	1			0.039		
L6		2.8			0.110	



[查询"L4931ABD33-TR"供应商](#)

**DPAK mechanical data**

Dim.	mm.			inch.		
	Min.	Typ.	Max.	Min.	Typ.	Max.
A	2.2		2.4	0.086		0.094
A1	0.9		1.1	0.035		0.043
A2	0.03		0.23	0.001		0.009
B	0.64		0.9	0.025		0.035
b4	5.2		5.4	0.204		0.212
C	0.45		0.6	0.017		0.023
C2	0.48		0.6	0.019		0.023
D	6		6.2	0.236		0.244
D1		5.1			0.200	
E	6.4		6.6	0.252		0.260
E1		4.7			0.185	
e		2.28			0.090	
e1	4.4		4.6	0.173		0.181
H	9.35		10.1	0.368		0.397
L	1			0.039		
(L1)		2.8			0.110	
L2		0.8			0.031	
L4	0.6		1	0.023		0.039
R		0.2			0.008	
V2	0°		8°	0°		8°

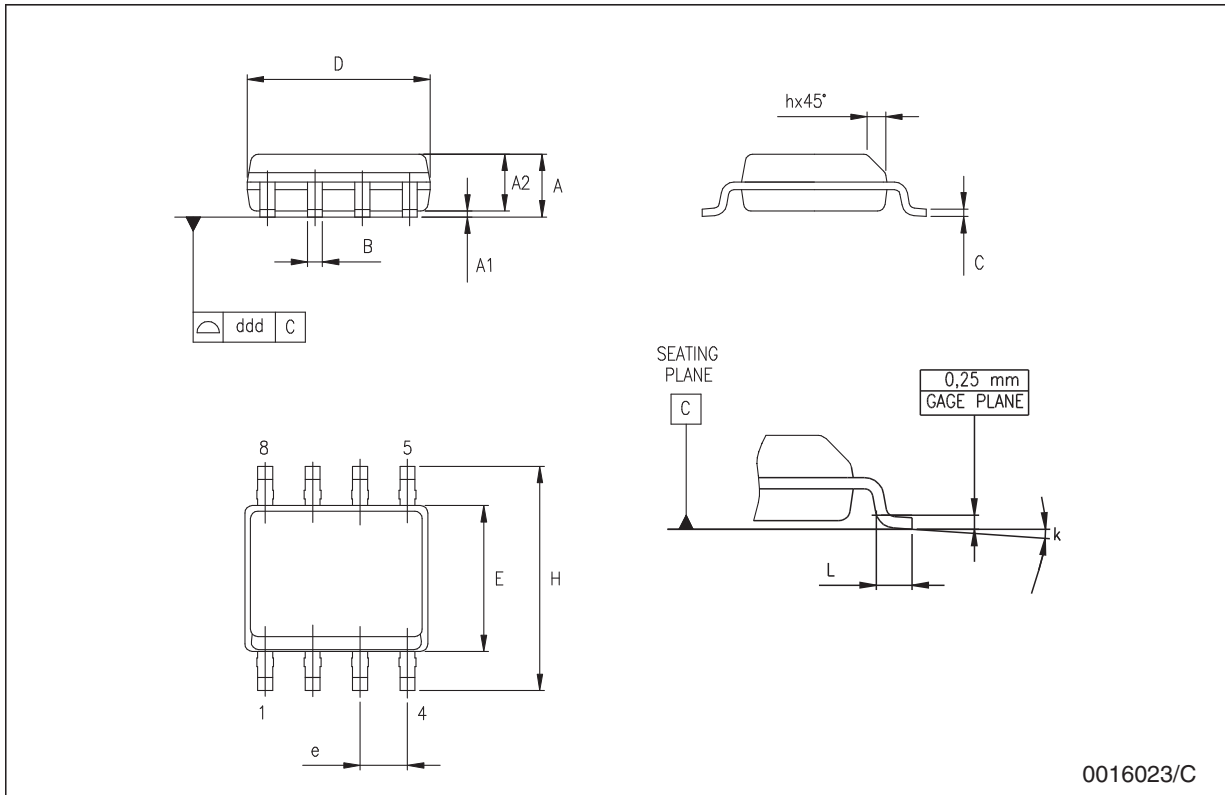


0068772-F

[查询"L4931ABD33-TR"供应商](#)

**SO-8 mechanical data**

Dim.	mm.			inch.		
	Min.	Typ.	Max.	Min.	Typ.	Max.
A	1.35		1.75	0.053		0.069
A1	0.10		0.25	0.04		0.010
A2	1.10		1.65	0.043		0.065
B	0.33		0.51	0.013		0.020
C	0.19		0.25	0.007		0.010
D	4.80		5.00	0.189		0.197
E	3.80		4.00	0.150		0.157
e		1.27			0.050	
H	5.80		6.20	0.228		0.244
h	0.25		0.50	0.010		0.020
L	0.40		1.27	0.016		0.050
k	8° (max.)					
ddd			0.1			0.04

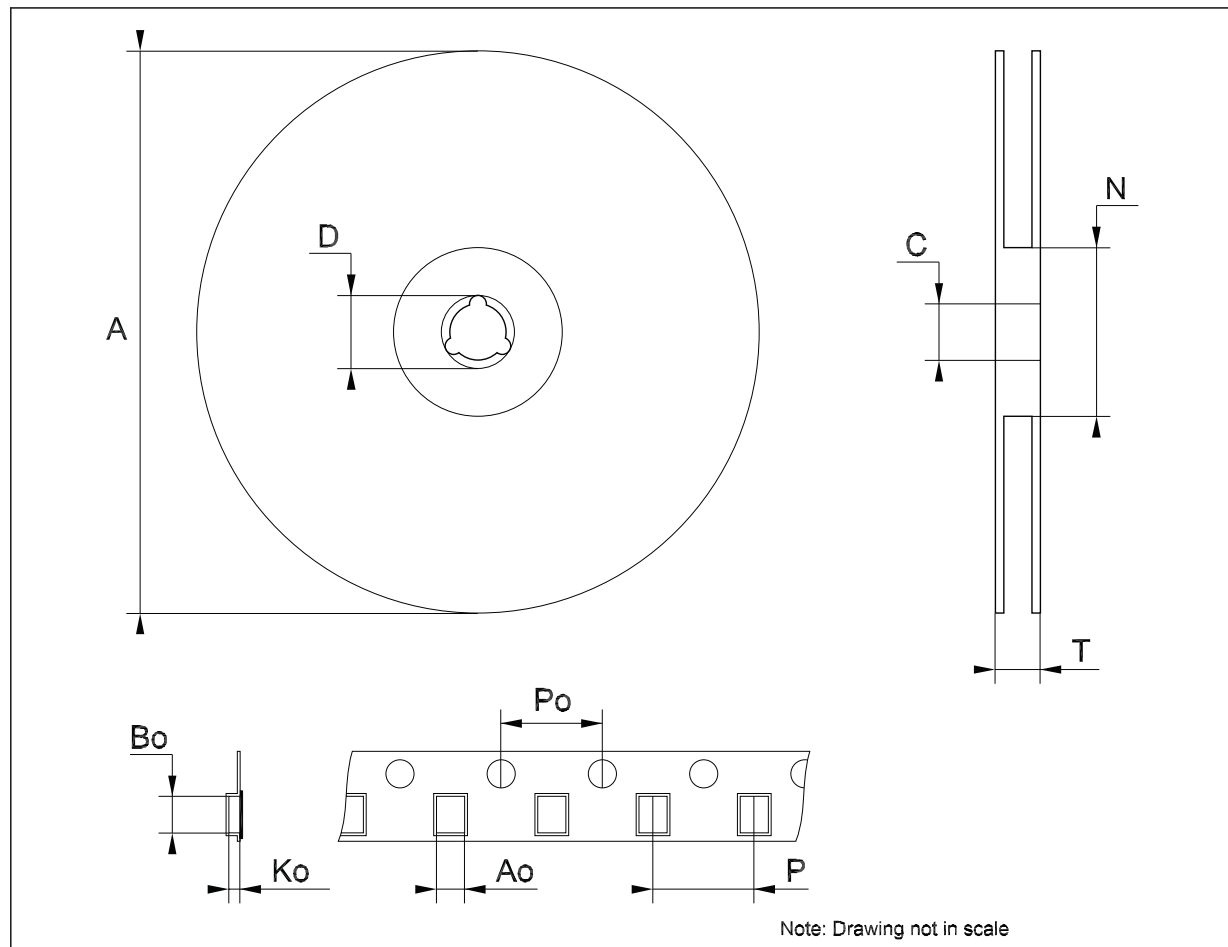


0016023/C

[查询"L4931ABD33-TR"供应商](#)

## Tape &amp; reel DPAK-PPAK mechanical data

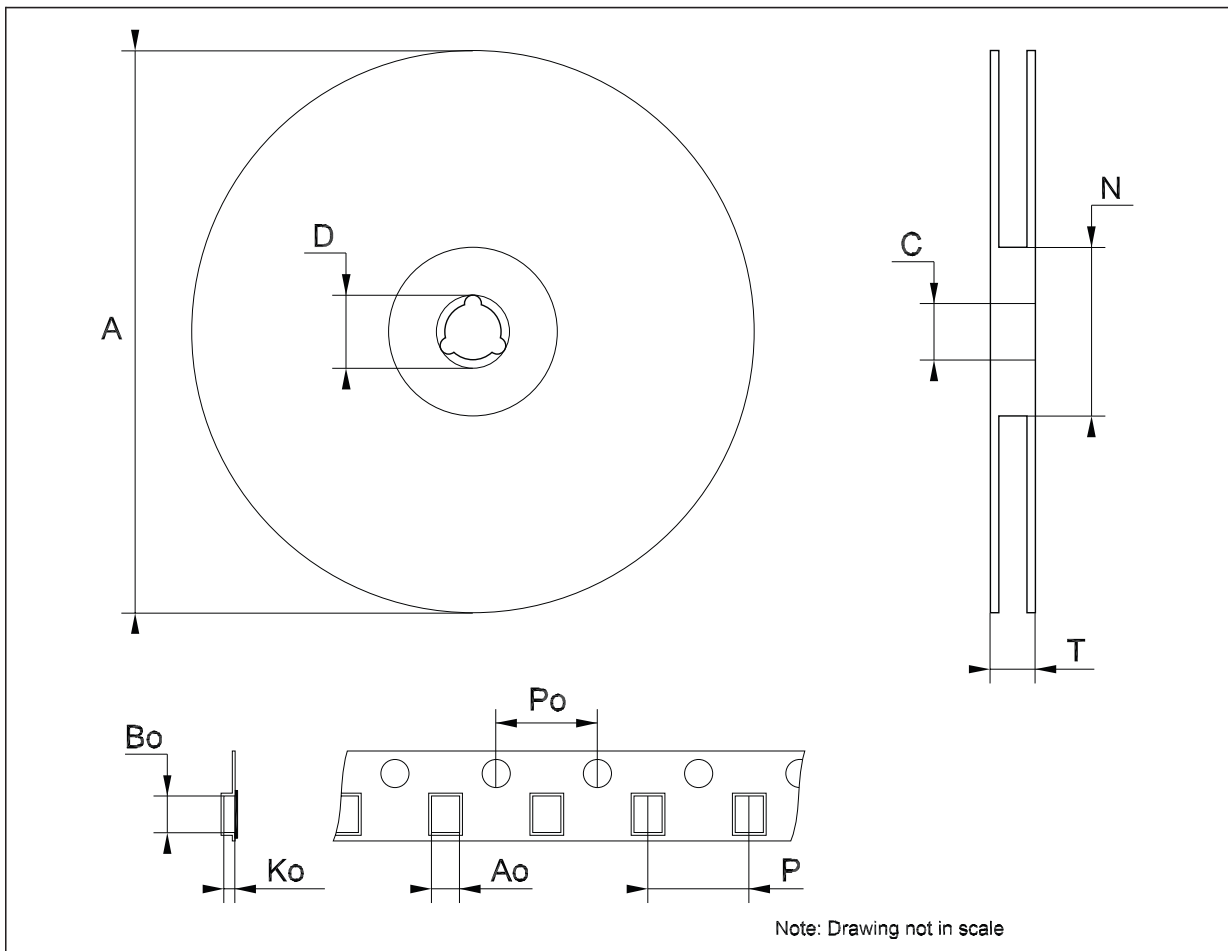
Dim.	mm.			inch.		
	Min.	Typ.	Max.	Min.	Typ.	Max.
A			330			12.992
C	12.8	13.0	13.2	0.504	0.512	0.519
D	20.2			0.795		
N	60			2.362		
T			22.4			0.882
Ao	6.80	6.90	7.00	0.268	0.272	0.276
Bo	10.40	10.50	10.60	0.409	0.413	0.417
Ko	2.55	2.65	2.75	0.100	0.104	0.105
Po	3.9	4.0	4.1	0.153	0.157	0.161
P	7.9	8.0	8.1	0.311	0.315	0.319



[查询"L4931ABD33-TR"供应商](#)

**Tape & reel SO-8 mechanical data**

Dim.	mm.			inch.		
	Min.	Typ.	Max.	Min.	Typ.	Max.
A			330			12.992
C	12.8		13.2	0.504		0.519
D	20.2			0.795		
N	60			2.362		
T			22.4			0.882
Ao	8.1		8.5	0.319		0.335
Bo	5.5		5.9	0.216		0.232
Ko	2.1		2.3	0.082		0.090
Po	3.9		4.1	0.153		0.161
P	7.9		8.1	0.311		0.319

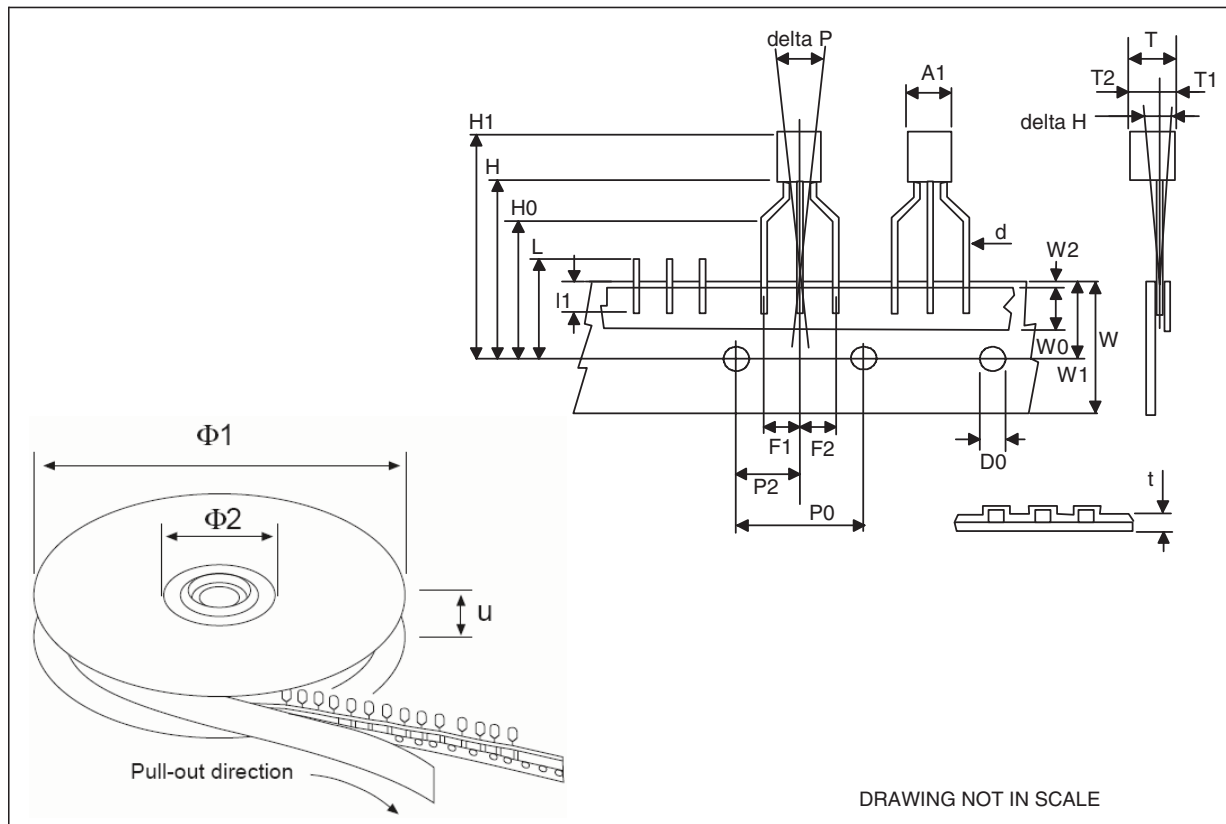




[查询"L4931ABD33-TR"供应商](#)

**Tape & reel for TO-92 mechanical data**

Dim.	mm.			inch.		
	Min.	Typ.	Max.	Min.	Typ.	Max.
A1		4.80			0.189	
T		3.80			0.150	
T1		1.60			0.063	
T2		2.30			0.091	
d		0.48			0.019	
P0	12.5		12.9	0.492		0.508
P2	5.65		7.05	0.222		0.278
F1, F2	2.44	2.54	2.94	0.096	0.100	0.116
delta H		±2			0.079	
W	17.5	18.00	19.0	0.689	0.709	0.748
W0	5.7		6.3	0.224		0.248
W1	8.5		9.25	0.335		0.364
W2		0.50			0.20	
H		18.50	18.70		0.728	0.726
H0	15.50		16.50	0.610		0.650
H1		25.00			0.984	
D0	3.8		4.2	0.150		0.165
t		0.90			0.035	
L1		3			0.118	
delta P		±1			0.039	
u		50			1.968	
Φ1		360			14.173	
Φ2		30			1.181	



[查询"L4931ABD33-TR"供应商](#)  
**8 Order codes**

Table 19. Order codes

Packages					Output voltage
TO-220	SO-8	PPAK	DPAK	TO-92	
	L4931CD27-TR				2.7 V
	L4931CD27-TRY <sup>(1)</sup>	L4931ABPT27TR			2.7 V
	L4931CD33-TR	L4931CPT33-TR	L4931CDT33-TR	L4931CZ33-AP	3.3 V
L4931ABV33	L4931ABD33-TR		L4931ABDT33-TR		3.3 V
	L4931CD33-TRY <sup>(1)</sup>				3.3 V
	L4931CD35-TR		L4931CDT35-TR		3.5 V
	L4931ABD35-TR		L4931ABDT35TR		3.5 V
	L4931ABD35-TRY <sup>(1)</sup>				3.5 V
	L4931CD50-TR	L4931CPT50-TR	L4931CDT50-TR	L4931CZ50-AP	5 V
	L4931ABD50-TR		L4931ABDT50-TR		5 V
	L4931CD80-TR	L4931CPT80-TR	L4931CDT80-TR		8 V
		L4931ABPT80TR	L4931ABDT80-TR		8 V
	L4931CD120-TR	L4931CPT120-TR	L4931CDT120-TR		12 V
	L4931ABD120TR	L4931ABPT120R			12 V

1. Automotive Grade products.

[查询"L4931ABD33-TR"供应商](#)

## 9 Revision history

**Table 20. Document revision history**

Date	Revision	Changes
21-Jun-2004	11	Document updating.
14-Jun-2006	12	Order codes updated.
31-Jan-2008	13	Added: <a href="#">Table 1</a> and new order codes for Automotive grade products.
20-Feb-2008	14	Modified: <a href="#">Table 19 on page 34</a> .
11-Mar-2008	15	Modified: <a href="#">Table 1 on page 1</a> and <a href="#">Table 19 on page 34</a> .
15-Jul-2008	16	Modified: <a href="#">Table 1 on page 1</a> and <a href="#">Table 19 on page 34</a> .
18-Aug-2008	17	Modified: <a href="#">Table 19 on page 34</a> .

[查询"L4931ABD33-TR"供应商](#)**Please Read Carefully:**

Information in this document is provided solely in connection with ST products. STMicroelectronics NV and its subsidiaries ("ST") reserve the right to make changes, corrections, modifications or improvements, to this document, and the products and services described herein at any time, without notice.

All ST products are sold pursuant to ST's terms and conditions of sale.

Purchasers are solely responsible for the choice, selection and use of the ST products and services described herein, and ST assumes no liability whatsoever relating to the choice, selection or use of the ST products and services described herein.

No license, express or implied, by estoppel or otherwise, to any intellectual property rights is granted under this document. If any part of this document refers to any third party products or services it shall not be deemed a license grant by ST for the use of such third party products or services, or any intellectual property contained therein or considered as a warranty covering the use in any manner whatsoever of such third party products or services or any intellectual property contained therein.

**UNLESS OTHERWISE SET FORTH IN ST'S TERMS AND CONDITIONS OF SALE ST DISCLAIMS ANY EXPRESS OR IMPLIED WARRANTY WITH RESPECT TO THE USE AND/OR SALE OF ST PRODUCTS INCLUDING WITHOUT LIMITATION IMPLIED WARRANTIES OF MERCHANTABILITY, FITNESS FOR A PARTICULAR PURPOSE (AND THEIR EQUIVALENTS UNDER THE LAWS OF ANY JURISDICTION), OR INFRINGEMENT OF ANY PATENT, COPYRIGHT OR OTHER INTELLECTUAL PROPERTY RIGHT.**

**UNLESS EXPRESSLY APPROVED IN WRITING BY AN AUTHORIZED ST REPRESENTATIVE, ST PRODUCTS ARE NOT RECOMMENDED, AUTHORIZED OR WARRANTED FOR USE IN MILITARY, AIR CRAFT, SPACE, LIFE SAVING, OR LIFE SUSTAINING APPLICATIONS, NOR IN PRODUCTS OR SYSTEMS WHERE FAILURE OR MALFUNCTION MAY RESULT IN PERSONAL INJURY, DEATH, OR SEVERE PROPERTY OR ENVIRONMENTAL DAMAGE. ST PRODUCTS WHICH ARE NOT SPECIFIED AS "AUTOMOTIVE GRADE" MAY ONLY BE USED IN AUTOMOTIVE APPLICATIONS AT USER'S OWN RISK.**

Resale of ST products with provisions different from the statements and/or technical features set forth in this document shall immediately void any warranty granted by ST for the ST product or service described herein and shall not create or extend in any manner whatsoever, any liability of ST.

ST and the ST logo are trademarks or registered trademarks of ST in various countries.

Information in this document supersedes and replaces all information previously supplied.

The ST logo is a registered trademark of STMicroelectronics. All other names are the property of their respective owners.

© 2008 STMicroelectronics - All rights reserved

STMicroelectronics group of companies

Australia - Belgium - Brazil - Canada - China - Czech Republic - Finland - France - Germany - Hong Kong - India - Israel - Italy - Japan - Malaysia - Malta - Morocco - Singapore - Spain - Sweden - Switzerland - United Kingdom - United States of America

[www.st.com](http://www.st.com)