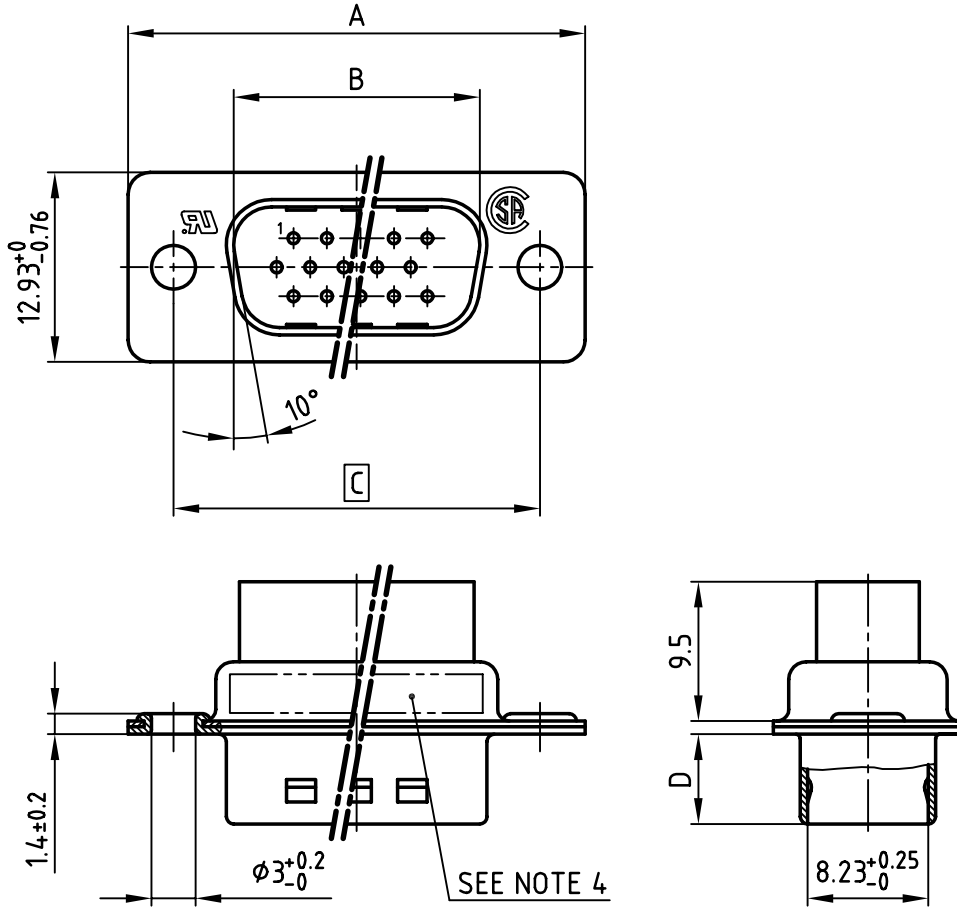


[查询"163X10169X"供应商](#)

used for: D-SUB HD



POS.	A ^{-0.76}	B ^{+0.25}	C	D ^{-0.3}	Part-NO.
15	31.19	16.79	25.00 ^{+0.12} / _{-0.13}	6.12	163X10169X (303A505000X)
26	39.52	25.12	33.30 ^{+0.15} / _{-0.1}	6.12	163X10179X
44	53.42	38.84	47.04 ±0.13	5.99	163X10189X
62	69.70	55.30	63.50 ±0.13	5.99	163X10199X

NOTES:

1. METALSHELLS: STEEL; min. 320µ" TIN
2. INSULATORS: PBT GF UL 94 V-0, BLACK
3. = CRITICAL DIMENSION: SPC
4. CONNECTOR IS PART MARKED: PART-NO. CONEC Y/WW

THIS DRAWING MAY NOT BE COPIED OR REPRODUCED IN ANY WAY, AND MAY NOT BE PASSED ON TO A THIRD PARTY WITHOUT WRITTEN PERMISSION.
 OWNERSHIP AND COPYRIGHT OF CONEC GmbH
 DO NOT ALTER CAD DRAWING BY HAND

tolerance					
2001	date	name	title: D-SUB HD MALE CRIMP-VERSION 15-62pos.		
drawn	12.03.	Parei			
appd.	12.03.	E. Mickenbecker			
norm					
d-old					
rev.	description	date	name	dwg no: AutoCAD 2000 16K1A154A	
				part no: SEE TABLE	



scale: 2:1	
material: SEE NOTES	
title: D-SUB HD MALE CRIMP-VERSION 15-62pos.	
dwg no: AutoCAD 2000	DIN-A
	4
	sh: 1/1
part no: SEE TABLE	