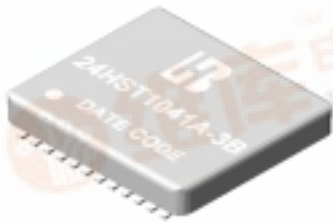




查询"24HST1041A-3B"供应商

### P/N: 24HST1041A-3B DATA SHEET

#### Feature



- Designed for long haul gigabit Ethernet 1000 BASE-T, full duplex applications.
- Supports 4 pairs of category UTP-5 cable.
- Cable interface for isolation and reject common mode emissions.
- Compliant with IEEE 802.3ab standard for 1000 BASE-T.
- Operating temperature range: 0°C to +70°C.
- Storage temperature range: -25°C to +125°C.

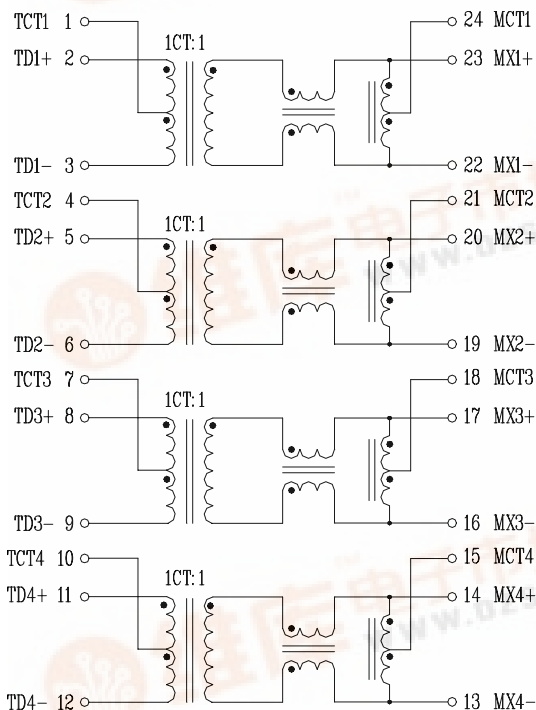
#### Electrical Specifications @ 25°C

Part Number	Turns Ratio (±5%)	OCL (uH Min) @ 100KHz/0.1V with 8mA DC Bias	Cross talk Attenuation (dB Min)			HI-POT (Vrms)
			30MHz	60MHz	100MHz	
24HST1041A-3B	1CT:1	350	-45	-40	-35	1500

#### Continue

Part Number	Insertion Loss (dB Max)	Return Loss (dB Min) @ Load 100Ω					DCMR (dB Min)		
		1-100MHz	1-30MHz	40MHz	50MHz	60-80MHz	100MHz	30MHz	60MHz
24HST1041A-3B	-1.0	-18	-14.4	-13.1	-12	-10	-40	-35	-30

#### Schematic



#### Mechanical

