

3M™ D Ribbon Wiremount Plug

Bailmount Option

3000 Series

[查询"3548-1000"供应商](#)



- Accepts 26-28 AWG wire
- Accepts .050 inch round, flat or jacketed cable
- Low profile
- Flexible design offers various mounting applications
- Contact design efficiency enables multiple insertion/withdrawals
- RoHS* compliant

Date Modified: March 9, 2005

TS-0819-07
Sheet 1 of 3

Physical

Insulation

Material: Glass Filled Polyester (PBT)

Flammability: UL 94V-0

Color: Gray

Contact

Material: Copper Alloy

Plating:

Underplating: 100 μ" (2.54 μm) Nickel - QQ-N-290, Class 2

Wiping Area: 30 μ" (0.76 μm) Gold - MIL-G-45204, Type II, Grade C

Strain Relief

Material: Stainless Steel - .012 [0.30] Thick

Wire Accommodation: 26 & 28 AWG Solid or Stranded

Marking: 3M Logo, Part Number Identification, Position 1

Electrical

Current Rating: 1 A

Insulation Resistance: $> 1 \times 10^9 \Omega$ at 500 VDC

Withstanding Voltage: 1000 Vrms at Sea Level

Environmental

Temperature Rating: -55°C to +105°C

UL File No.: E68080 *RoHS = Directive 2002/95/EC, Restriction of the Use of Certain Hazardous Substances in Electrical and Electronic Equipment

3M™ D Ribbon Wiremount Plug

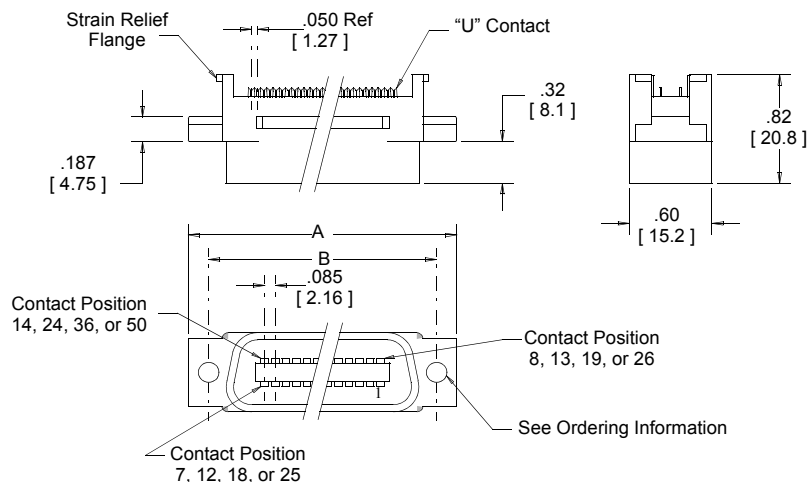
Bailmount Option

3000 Series

[查询"3548-1000"供应商](#)

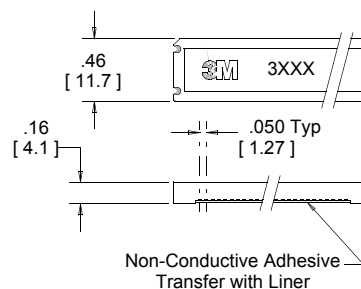
| Contact Quantity | 3M Part Number | Dimension | | |
|------------------|----------------|-------------|-------------|-------------|
| | | A | B | C |
| 14 | 3572 | 1.75 [44.5] | 1.42 [36.0] | 1.28 [32.5] |
| 24 | 3548 | 2.17 [55.1] | 1.84 [46.8] | 1.70 [43.2] |
| 36 | 3366 | 2.68 [68.1] | 2.35 [59.7] | 2.21 [56.1] |
| 50 | 3564 | 3.27 [83.1] | 2.95 [74.8] | 2.81 [71.4] |

Standard Body

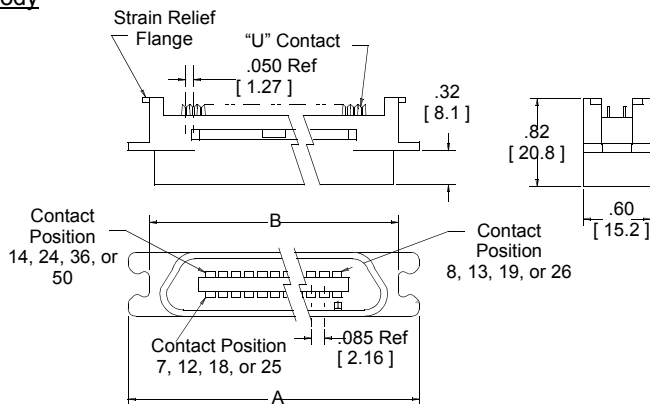


| Contact Quantity | Series | Dimensions | | |
|------------------|--------|-------------|-------------|-------------|
| | | A | B | C |
| 14 | 3572 | 1.58 [40.1] | 1.20 [30.5] | 1.28 [32.5] |
| 24 | 3548 | 2.01 [51.1] | 1.63 [41.4] | 1.70 [43.2] |
| 36 | 3366 | 2.52 [64.0] | 2.14 [54.4] | 2.21 [56.1] |
| 50 | 3564 | 3.11 [79.0] | 2.73 [69.3] | 2.81 [71.4] |

Cover



Bailmount Body



Inch
[mm]

| Tolerance Unless Noted | | |
|------------------------|-----|-------|
| | .0 | .00 |
| inch | ±.1 | ±.01 |
| | | ±.005 |

[] Dimensions for Reference Only

Ordering Information

Connector XXXX-100X

Series See Table
0 = .158 [4.01] Dia Hole
1 = Bailmount
2 = #4-40 UNC Insert

Strain Relief (Order Separately) 3448-XX

60 = 14 Position
61 = 24 Position
62 = 36 Position
63 = 50 Position

TS-0819-07
Sheet 2 of 3

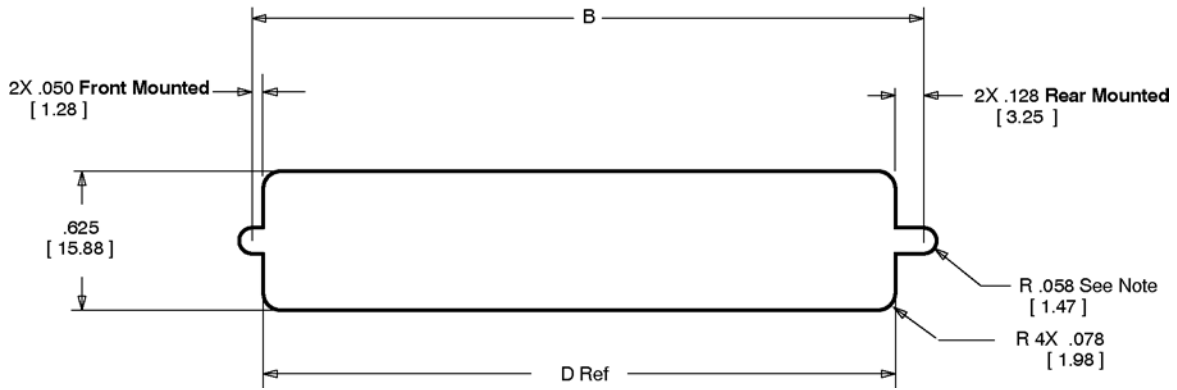
Application tools: 3640 press (or equivalent), 3443-58 locator plate, 3442-9 platen.

3M™ D Ribbon Wiremount Plug

Bailmount Option

3000 Series

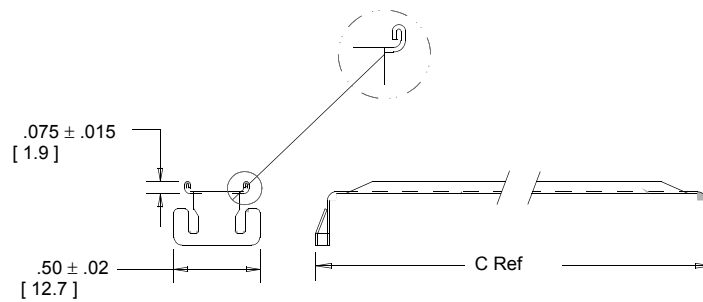
[查询"3548-1000"供应商](#)



Notes:

For rear mounting of connector with IEEE-488 Type 3M Jack Socket 3341-3, use .098" [2.49 mm] R.

| Contact Quantity | 3M Part Number | Mounting Method | Dimension D |
|------------------|----------------|-----------------|-----------------|
| 24 | 3548 | Front | 1.740 [44.20] |
| 36 | 3366 | Front | 2.250 [57.16] |
| 50 | 3564 | Front | 2.845 [72.27] |
| 14 | 3572 | Rear | 1.160 [29.46] |
| 24 | 3548 | Rear | 1.585 [40.26] |
| 36 | 3366 | Rear | 2.095 [53.21] |
| 50 | 3564 | Rear | 2.690 [68.33] |



Strain Relief
(Order Separately)

TS-0819-07
Sheet 3 of 3

Important Notice

All statements, technical information, and recommendations related to 3M's products are based on information believed to be reliable, but the accuracy or completeness is not guaranteed. Before using this product, you must evaluate it and determine if it is suitable for your intended application. You assume all risks and liability associated with such use. Any statements related to the product which are not contained in 3M's current publications, or any contrary statements contained on your purchase order shall have no force or effect unless expressly agreed upon, in writing, by an authorized officer of 3M.

Warranty; Limited Remedy; Limited Liability.

This product will be free from defects in material and manufacture for a period of 1 year from the time of purchase. **3M MAKES NO OTHER WARRANTIES INCLUDING, BUT NOT LIMITED TO, ANY IMPLIED WARRANTY OF MERCHANTABILITY OR FITNESS FOR A PARTICULAR PURPOSE.** If this product is defective within the warranty period stated above, your exclusive remedy shall be, at 3M's option, to replace or repair the 3M product or refund the purchase price of the 3M product. **Except where prohibited by law, 3M will not be liable for any indirect, special, incidental or consequential loss or damage arising from this 3M product, regardless of the legal theory asserted.**



Electronic Solutions Division

6801 River Place Blvd.
Austin, TX 78726-9000
www.3M.com/esd



Minimum 10%
Post-consumer Fiber

Printed in USA.

© 3M 2005