

SINGLE-CHIP LI-ION AND LI-POL CHARGE MANAGEMENT IC FOR CURRENT-LIMITED APPLICATIONS

FEATURES

- **Designed Specifically to Work With Current-Limited Wall Supplies**
- **Ideal for Low Dropout Charger Design for Single-Cell Li-Ion Packs With Coke or Graphite Anodes**
- **Integrated PowerFET for 500 mA**
- **Integrated Voltage Regulation With 0.5% Accuracy**
- **Battery Insertion and Removal Detection**
- **Charge Termination by Minimum Current and Time**
- **Pre-Charge Conditioning With Safety Timer**
- **Sleep Mode for Low-Power Consumption**
- **Charge Status Output for LED or Host Processor Interface Indicates Charge-in-Progress, Charge Completion, and Fault Conditions**
- **Optional Temperature Monitoring Before and During Charge**
- **Small, 8-Pin Power-Pad MSOP Package**

DESCRIPTION

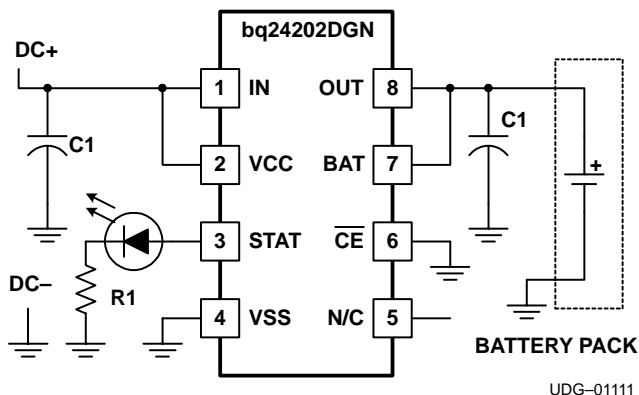
The bq2420x series are simple Li-Ion linear charge management devices targeted at low-cost and space limited charger applications. The bq2420x series offer integrated powerFET, high-accuracy voltage regulation, temperature monitoring, charge status, and charge termination, in a single monolithic device.

The bq2420x is designed to work with a current-limited wall-mount transformer and therefore does not provide any current regulation. However, these devices offer a fixed internal current limit to prevent damage to the internal powerFET. A time-limited pre-conditioning phase is provided to condition deeply discharged cells. Once the battery reaches the charge voltage, the high accuracy voltage regulation loop takes over and completes the charge cycle. Charge is terminated based on minimum current. An internal charge timer provides a backup safety for charge termination.

Other standard features include an automatic sleep mode activated when V_{CC} falls below the battery voltage and a recharge feature activated when the battery voltage falls below the V_{RCH} threshold.

In addition to the standard features, the core product provides two additional enhancements: temperature monitoring and status display. The temperature-sense circuit continuously measures battery temperature using an external thermistor and inhibits charge until the battery temperature is within the user-defined thresholds. The STAT pin indicates three conditions of operation of the charger. These conditions are *charge-in-progress*, *charge complete*, and *fault*. This output can be used to drive an LED or an interface to a microcontroller.

TYPICAL APPLICATION



bq24200, bq24201, bq24202 bq24203, bq24204, bq24205

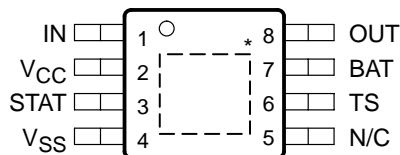
SLUS051A OCTOBER 2011 查询"SC24200DGN"供应商

AVAILABLE OPTIONS

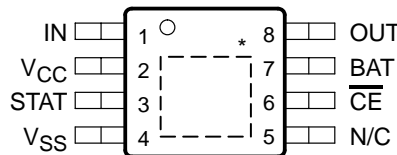
| T _J | CHARGE REGULATION VOLTAGE | OPTIONAL FUNCTIONS | MARKING | PACKAGED DEVICES (DGN) |
|----------------|---------------------------|--------------------|---------|------------------------|
| -40°C to 125°C | 4.2 V | STAT and TS | AZC | bq24200DGN |
| | 4.1 V | STAT and TS | AZD | bq24201DGN |
| | 4.2 V | STAT | AZE | bq24202DGN |
| | 4.1 V | STAT | AZF | bq24203DGN |
| | 4.2 V | – | AZG | bq24204DGN |
| | 4.1 V | – | AZI | bq24205DGN |

† The DGN package is available taped and reeled. Add TR suffix to device type (e.g. bq24200DGNTR) to order. Quantities 2500 devices per reel.

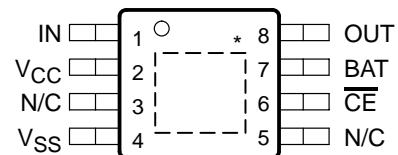
**bq24200, bq24201
HTSSOP (DGN) PACKAGE
(TOP VIEW)**



**bq24202, bq24203
HTSSOP (DGN) PACKAGE
(TOP VIEW)**



**bq24204, bq24205
HTSSOP (DGN) PACKAGE
(TOP VIEW)**



* Thermal pad is electrically connected to the ground of the device (V_{SS}).

Terminal Functions

| NAME | TERMINAL NO. | | | I/O | DESCRIPTION |
|------------------------|--------------------|--------------------|--------------------|-----|--------------------------------------|
| | bq24200 bq24201 | bq24202 bq24203 | bq24204 bq24205 | | |
| BAT | 7 | 7 | 7 | I | Battery voltage sense input |
| $\overline{\text{CE}}$ | – | 6 | 6 | I | Charge enable Input (active low) |
| IN | 1 | 1 | 1 | I | Charge input voltage |
| N/C | 5 | 5 | 3, 5 | – | No connection. Must be left floating |
| OUT | 8 | 8 | 8 | O | Charge current output |
| STAT | 3 | 3 | – | O | Charge status output |
| TS | 6 | – | – | I | Temperature sense input |
| V _{CC} | 2 | 2 | 2 | I | V _{CC} input |
| V _{SS} | 4 | 4 | 4 | – | Ground input |

absolute maximum ratings over operating free-air temperature range (unless otherwise noted)†

| | |
|---|----------------|
| Supply voltage (V _{CC} with respect to GND) | 16.5 V |
| Input voltage, IN, STAT, TS (all with respect to GND) | 16.5 V |
| Input voltage, BAT, OUT (all with respect to GND) | 7 V |
| Output sink/source current (STAT) | 15 mA |
| Storage temperature range, T _{stg} | –65°C to 150°C |
| Junction temperature range, T _J | –40°C to 125°C |
| Lead temperature (soldering, 10sec) | 300°C |

† Stresses beyond those listed under “absolute maximum ratings” may cause permanent damage to the device. These are stress ratings only, and functional operation of the device at these or any other conditions beyond those indicated under “recommended operating conditions” is not implied. Exposure to absolute-maximum-rated conditions for extended periods may affect device reliability.

dissipation ratings

| PACKAGE | THERMAL IMPEDANCE JUNCTION-TO-AMBIENT (θ_{JA}) | THERMAL IMPEDANCE JUNCTION-TO-CASE (θ_{JC}) | T _A 25°C POWER RATING | DERATING FACTOR ABOVE T _A = 25°C |
|---------------|---|--|--|---|
| 8 Pin DGN (1) | 57.20°C/W | 4.4°C/W | 1.75 W | 0.017 W/°C |

NOTE 1: This data is based on using JEDEC High-K board and topside traces, top and bottom thermal pad (2mm × 3mm), internal 1 oz. power and ground planes, four thermal via underneath the die connecting to ground plane.

recommended operating conditions

| | MIN | MAX | UNIT |
|--|-------------------------|------|------|
| Supply voltage, V _{CC} | V _(LOWV-MIN) | 13.5 | V |
| Input voltage, V _{IN} | V _(LOWV-MIN) | 13.5 | |
| Operating junction temperature range, T _J | -40 | 125 | °C |

electrical characteristics over 0°C ≤ T_J ≤ 125°C and supply voltage range (unless otherwise noted)

| PARAMETER | TEST CONDITIONS | MIN | TYP | MAX | UNIT |
|---|---|-----|-----|-----|------|
| V _{CC} Current, I _{CC} (V _{CC}) | V _{CC} > V _{CC} (min) | | 1.7 | 2.5 | mA |
| Sleep current, I _{CC} (SLP) | Sum of currents into OUT and BAT pins, V _{CC} < V _(SLP) , 0°C ≤ T _J ≤ 85°C | | | 5 | μA |
| Sleep current, I _{CC} (SLP) | Sum of currents into OUT and BAT pins, V _{CC} < V _(SLP) | | | 10 | μA |
| Standby Current, I _{CC} (STDBY) | Sum of currents into V _{CC} , IN and TS pins, (V _{CC} - V _I (TS)) ≤ 300 mV | | | 1 | mA |
| Input Bias Current on BAT pin, I _{IB} (BAT) | | | | 1 | μA |
| Input Bias Current on TS pin, I _{IB} (TS) | 0.1*V _{CC} ≤ V _I (TS) ≤ 0.8*V _{CC} | | | 1 | μA |

voltage regulation, V_O(REG) + V_(DO-MAX) ≤ V_{CC}, I_(TERM) < I_O(OUT) ≤ 500 mA, over 0°C ≤ T_J ≤ 125°C and supply voltage range (unless otherwise noted)

| PARAMETER | TEST CONDITIONS | MIN | TYP | MAX | UNIT |
|--|--|--------|------|--------|-------|
| Output voltage, V _O (REG) | V _O (REG) + V _(DO-MAX) ≤ 10 V, I _(TERM) < I _O (OUT) ≤ 250 mA | 4.0795 | 4.10 | 4.1205 | Volts |
| Output voltage, V _O (REG) | | 4.05 | 4.10 | 4.15 | Volts |
| Output voltage, V _O (REG) | V _O (REG) + V _(DO-MAX) ≤ 10 V, I _(TERM) < I _O (OUT) ≤ 250 mA | 4.1790 | 4.20 | 4.2210 | Volts |
| Output voltage, V _O (REG) | | 4.15 | 4.20 | 4.25 | Volts |
| Dropout voltage (V _(IN) - V _(OUT)), V _(DO) | V _O (REG) + V _(DO-MAX) ≤ V _{CC} , I _O (OUT) = 500 mA | 200 | 350 | 500 | mV |

output current, over 0°C ≤ T_J ≤ 125°C and supply voltage range (unless otherwise noted)

| PARAMETER | TEST CONDITIONS | MIN | TYP | MAX | UNIT |
|---|-----------------|-----|-----|-----|------|
| Output current, I _O (OUT) | See Note 1 | | | 500 | mA |
| Short-circuit Trip Current, I _(SC) | See Note 1 | 1 | | 1.6 | A |

NOTE 2: Assured by design, not production tested.

pre-charge current regulation, over 0°C ≤ T_J ≤ 125°C and supply voltage range (unless otherwise noted)

| PARAMETER | TEST CONDITIONS | MIN | TYP | MAX | UNIT |
|--|---|-----|------|-----|------|
| Pre-charge Current, I _(PRECHG) | V _I (BAT) < V _(LOWV) , t < t _(30min) | 10 | 13.5 | 17 | mA |
| Battery Detection Current, I _(DETECT) | V _I (BAT) = 2.5 V, t > t _(30min) | 160 | 210 | 300 | μA |

charge termination detection, over $0^{\circ}\text{C} \leq T_J \leq 125^{\circ}\text{C}$ And supply voltage range (unless otherwise noted)

| PARAMETER | TEST CONDITIONS | MIN | TYP | MAX | UNIT |
|--|--|-----|------|-----|------|
| Taper current detect threshold, I_{TAPER} | $V_{\text{I(BAT)}} > V_{\text{(RCH)}}$ | 22 | 25.5 | 29 | mA |
| Charge termination current detect threshold, $I_{\text{(TERM)}}$ | $V_{\text{I(BAT)}} > V_{\text{(RCH)}}$ | 0.8 | 1.1 | 1.4 | mA |

temperature comparator, over $0^{\circ}\text{C} \leq T_J \leq 125^{\circ}\text{C}$ and supply voltage range (unless otherwise noted)

| PARAMETER | TEST CONDITIONS | MIN | TYP | MAX | UNIT |
|---|-----------------|------|-----|-----|------|
| Lower Temperature Threshold, $V_{\text{(TS1)}}$ | TS pin voltage | | 30 | | %VCC |
| Upper Temperature Threshold, $V_{\text{(TS2)}}$ | TS pin voltage | | 60 | | %VCC |
| Accuracy | | -0.7 | | 0.7 | %VCC |
| Hysteresis | | | 1 | | %VCC |

low voltage battery threshold, over $0^{\circ}\text{C} \leq T_J \leq 125^{\circ}\text{C}$ and supply voltage range (unless otherwise noted)

| PARAMETER | TEST CONDITIONS | MIN | TYP | MAX | UNIT |
|-------------------------------------|--|-----|------|-----|-------|
| LowV Threshold, $V_{\text{(LOWV)}}$ | $0^{\circ}\text{C} \leq T_J \leq 85^{\circ}\text{C}$ | 2.8 | 2.95 | 3.1 | Volts |
| LowV Threshold, $V_{\text{(LOWV)}}$ | | 2.8 | 3.0 | 3.2 | Volts |

battery recharge threshold, over $0^{\circ}\text{C} \leq T_J \leq 125^{\circ}\text{C}$ and supply voltage range (unless otherwise noted)

| PARAMETER | TEST CONDITIONS | MIN | TYP | MAX | UNIT |
|--------------------------------------|-----------------|------------------------------|-----------------------------|-----------------------------|-------|
| Recharge Threshold, V_{RCH} | | $V_{\text{O(REG)}}$ 0.115 | $V_{\text{O(REG)}}$ -0.1 | $V_{\text{O(REG)}}$ 0.85 | Volts |

STAT output, $V_{\text{CC}} \geq V_{\text{O(REG)}}$, over $0^{\circ}\text{C} \leq T_J \leq 125^{\circ}\text{C}$ and supply voltage range (unless otherwise noted)

| PARAMETER | TEST CONDITIONS | MIN | TYP | MAX | UNIT |
|--|--------------------------------|-----------------------|-----|-----|-------|
| Output (low) saturation voltage, $V_{\text{OL(STAT)}}$ | $I_{\text{o}} = 10 \text{ mA}$ | | | 0.5 | Volts |
| Output (high) saturation voltage $V_{\text{OH(STAT)}}$ | $I_{\text{o}} = -5 \text{ mA}$ | $V_{\text{CC}} - 1.5$ | | | Volts |

$\overline{\text{CE}}$, over $0^{\circ}\text{C} \leq T_J \leq 125^{\circ}\text{C}$ and supply voltage range (unless otherwise noted)

| PARAMETER | TEST CONDITIONS | MIN | TYP | MAX | UNIT |
|--|----------------------------------|-----------------------|-----|---------------------|-------|
| Input (low) voltage, $V_{\text{IL(CE)}}$ | $I_{\text{IL}} = 5 \mu\text{A}$ | 0 | | $V_{\text{CC}} - 1$ | Volts |
| Input (high) voltage $V_{\text{IH(CE)}}$ | $I_{\text{IH}} = 20 \mu\text{A}$ | $V_{\text{CC}} - 0.3$ | | | Volts |

timers, over $0^{\circ}\text{C} \leq T_J \leq 125^{\circ}\text{C}$ and supply voltage range (unless otherwise noted)

| PARAMETER | TEST CONDITIONS | MIN | TYP | MAX | UNIT |
|---|-----------------|-------|--------|--------|------|
| Pre-charge and taper timer, $t_{\text{(PRECHG)}}$ | | 1,548 | 2,065 | 2,581 | sec |
| Taper timer, $t_{\text{(TAPER)}}$ | | 1,548 | 2,065 | 2,581 | sec |
| Charge Timer, $t_{\text{(CHG)}}$ | | 9,292 | 12,389 | 15,486 | sec |

sleep comparator, over $0^{\circ}\text{C} \leq T_J \leq 125^{\circ}\text{C}$ and supply voltage range (unless otherwise noted)

| PARAMETER | TEST CONDITIONS | MIN | TYP | MAX | UNIT |
|--|---|-------------------------------|-----|-----|-------|
| Sleep-mode threshold, $V_{\text{(SLP)}}$ | $2.3\text{V} \leq V_{\text{I(BAT)}} \leq V_{\text{O(REG)}}$ | $V_{\text{(BAT)}} - 10$ mV | | | Volts |

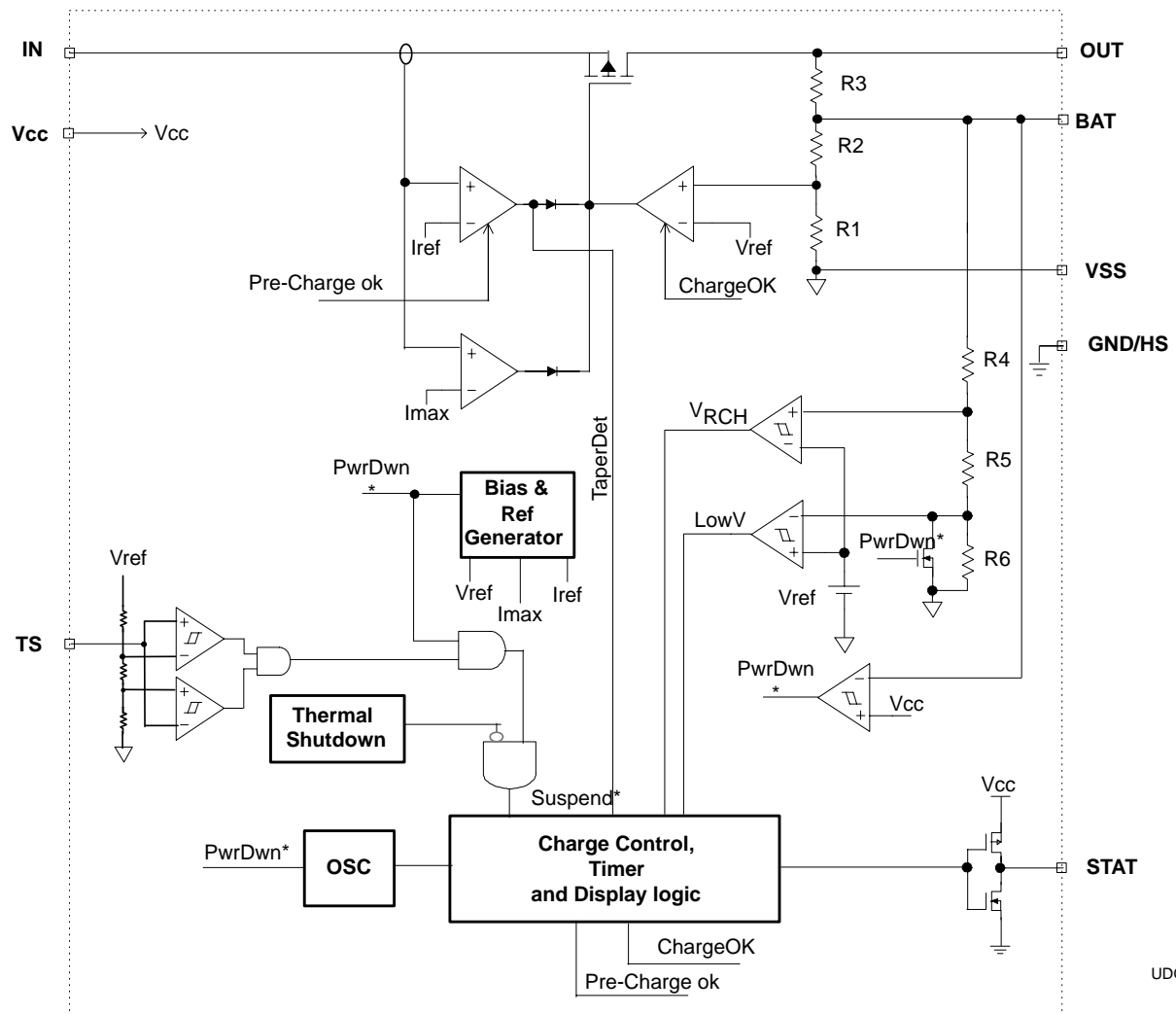
power-on-reset and V_{IN} Ramp Rate, over $0^{\circ}\text{C} \leq T_J \leq 125^{\circ}\text{C}$ and supply voltage range (unless otherwise noted)

| PARAMETER | TEST CONDITIONS | MIN | TYP | MAX | UNIT |
|---------------------------------|-----------------|-----|-----|--------------------|----------------------|
| POR Threshold, V_{POR} | See Note 1 | 2.3 | 2.4 | 2.5 | Volts |
| Slew rate | See Note 1 | 5 | | 5×10^{-5} | Volts/ μs |

NOTE 1. Ensured by design, not production tested.

[查询"BQ24202DGN"供应商](#)

functional block diagram



UDG-01105

detailed description

IN: This pin is connected to the source of the internal P-channel powerFET.

OUT: This pin is connected to the drain of the internal P-channel powerFET.

Battery voltage sense (BAT): Voltage sense-input tied directly to the positive side of the battery.

Temperature sense input (TS): Input for an external battery-temperature monitoring circuit.

Charge status output (STAT): High-impedance indication of various charge conditions.

Supply voltage input (VCC): Power supply input

TYPICAL CHARACTERISTICS

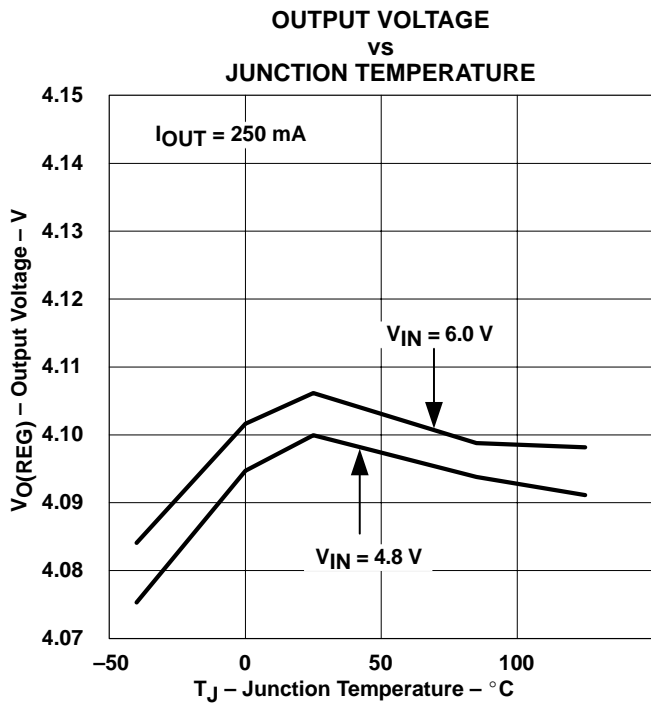


Figure 1

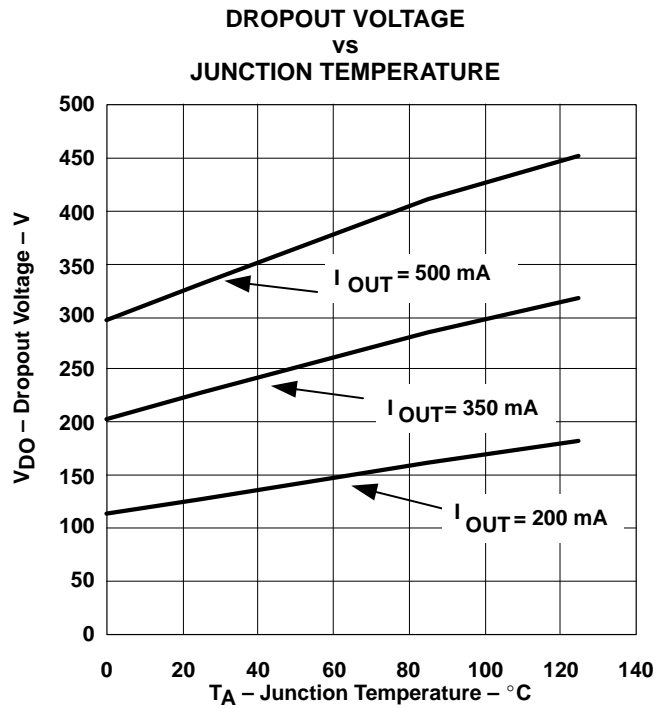


Figure 2

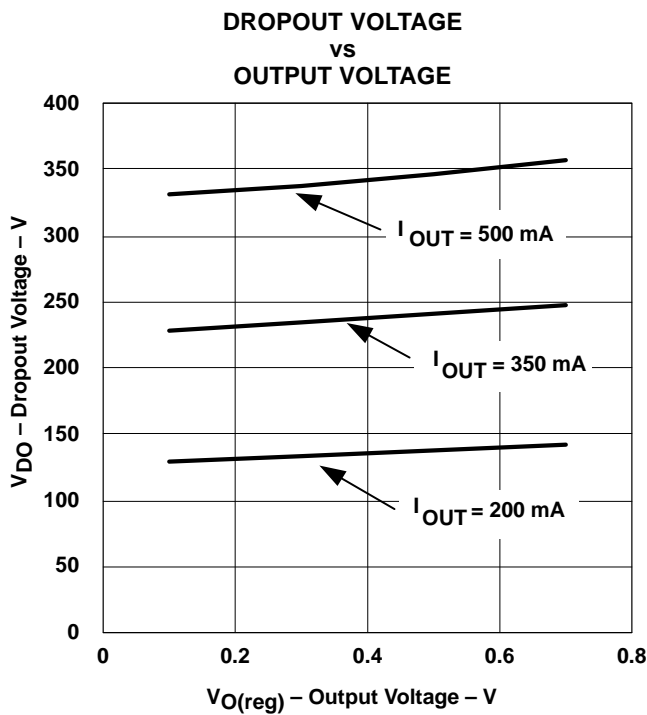


Figure 3

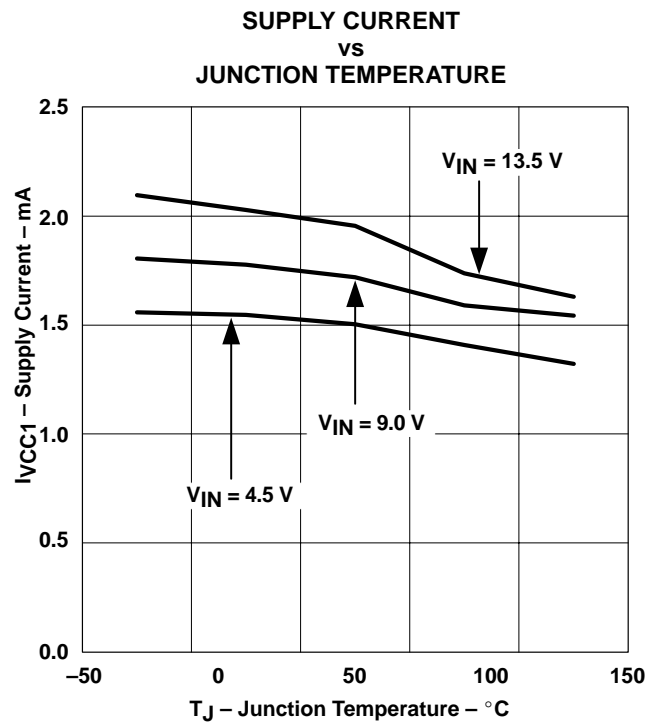
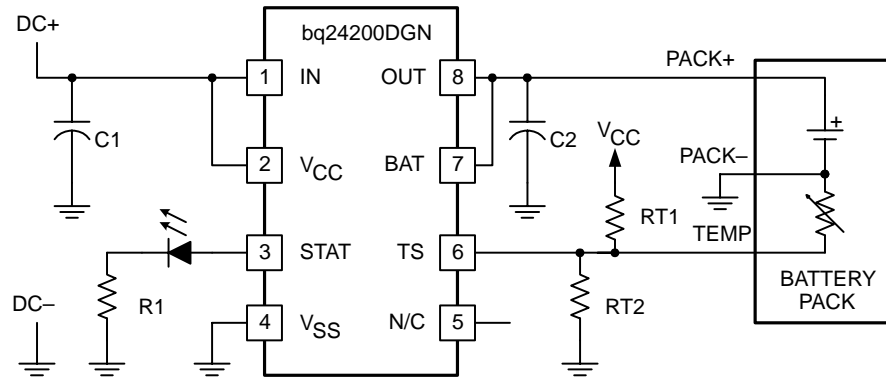


Figure 4

APPLICATION INFORMATION



UDG-01109

Figure 5. Low Dropout Single-Cell Li-Ion/Li-Pol Charger

functional description

The bq2420x supports a precision Li-Ion or Li-Pol charging system suitable for single-cells with either coke or graphite anodes. Figure 5 shows an application schematic and Figure 6 shows the typical charge profile.

temperature qualification (bq24200 and bq24201 only)

The bq24200 and bq24201 continuously monitors battery temperature by measuring the voltage between the TS and VSS pins. A negative- or a positive-temperature coefficient thermistor (NTC, PTC) and an external voltage divider typically develop this voltage (see figure 5). The bq24200 and bq24201 compare this voltage against the internal $V_{(TS1)}$ and $V_{(TS2)}$ thresholds to determine if charging is allowed (see Figure 7). The temperature sensing circuit is immune to any fluctuation in V_{cc} since both the external voltage divider and the internal thresholds are referenced to V_{cc} .

Once a temperature outside the $V_{(TS1)}$ and $V_{(TS2)}$ thresholds is detected the bq24200 and bq24201 immediately suspend the charge. The bq24200 and bq24201 suspend the charge by turning off the powerFET and holding the timer value (i.e. timers are NOT reset). Charge is resumed when the temperature returns to the normal range.

APPLICATION INFORMATION

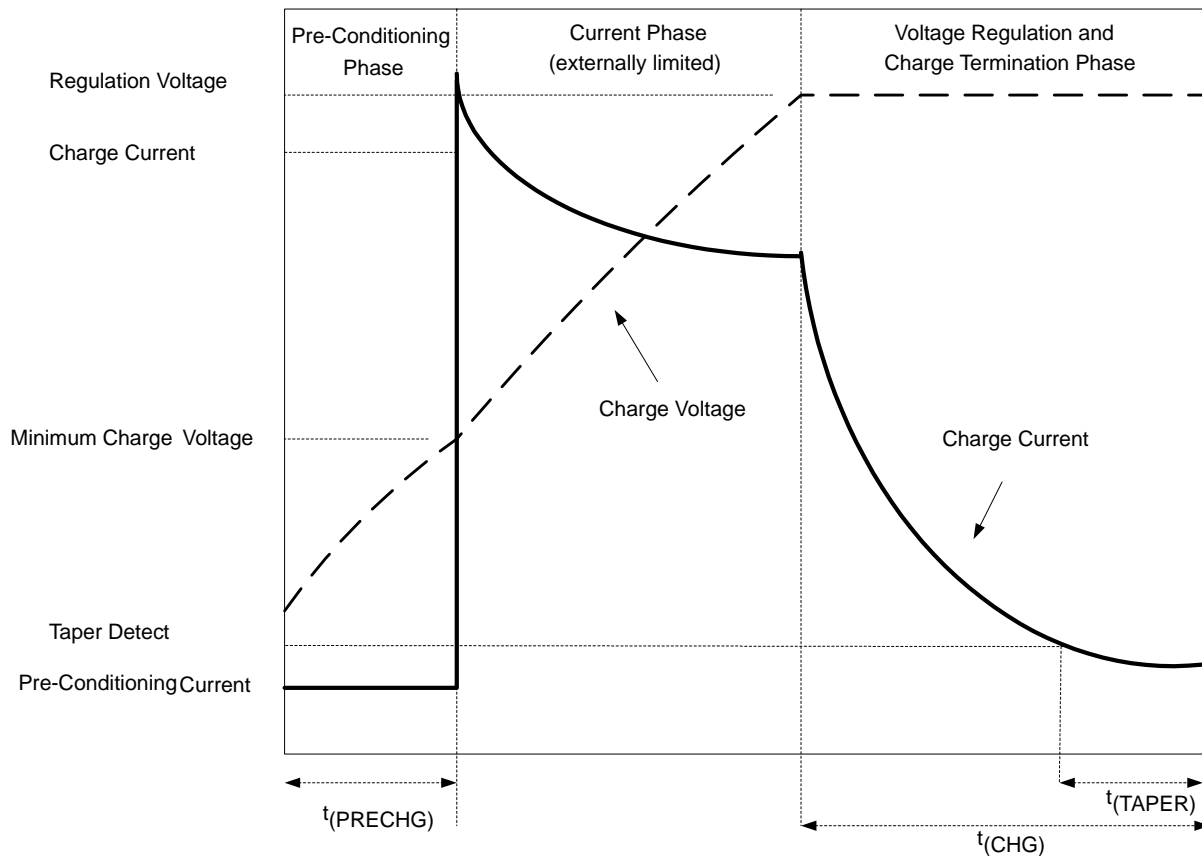


Figure 6. Typical Charge Profile

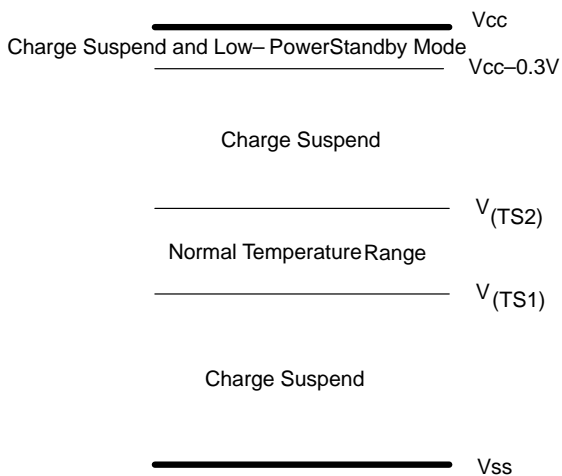


Figure 7. TS Pin Thresholds

APPLICATION INFORMATION

operational flow diagram

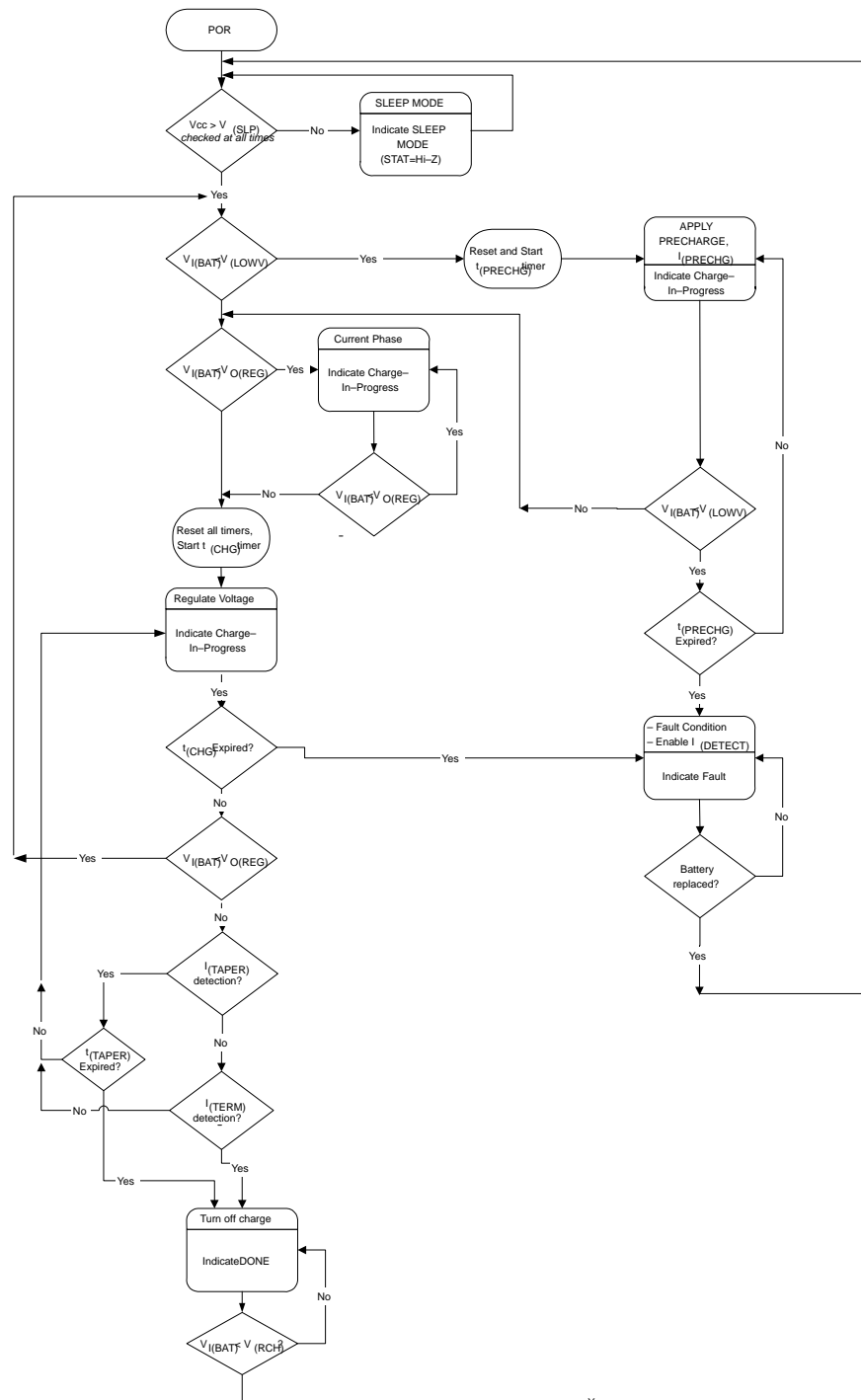


Figure 8. Operational Flow Chart

APPLICATION INFORMATION

The resistor values of R_{T1} and R_{T2} are calculated by the following equations:

For NTC Thermistors:

$$R_{T1} = \frac{(5 \times R_{T_H} \times R_{T_C})}{(3 \times (R_{T_C} - R_{T_H}))}$$

$$R_{T2} = \frac{(5 \times R_{T_H} \times R_{T_C})}{(2 \times R_{T_C}) - (7 \times R_{T_H})}$$

For PTC Thermistors:

$$R_{T1} = \frac{(5 \times R_{T_H} \times R_{T_C})}{(3 \times (R_{T_H} - R_{T_C}))}$$

$$R_{T2} = \frac{(5 \times R_{T_H} \times R_{T_C})}{(2 \times R_{T_H}) - (7 \times R_{T_C})}$$

Where R_{T_C} is the cold temperature resistance and R_{T_H} is the hot temperature resistance of thermistor, as specified by the thermistor manufacturer.

R_{T1} or R_{T2} can be omitted if only one temperature (hot or cold) setting is required. Applying a voltage between the V_{TS1} and V_{TS2} thresholds to pin TS disables the temperature-sensing feature. Also applying a voltage between ($V_{CC} - 0.3$ V) and V_{CC} suspends the charge and places the IC in the low-power standby mode.

battery pre-conditioning

Figure 7 shows the operational flow chart for the bq2420x.

Upon power-up, if the battery voltage is below the $V_{(LOWV)}$ threshold, the bq2420x applies a pre-charge current, $I_{(PRECHG)}$, to the battery. This feature revives deeply discharged cells. The bq2420x activates a safety timer, $t_{(PRECHG)}$, during the conditioning phase. If $V_{(LOWV)}$ threshold is not reached within the timer period, the bq2420x turns off the charger and enunciates FAULT on the STAT pin. In the case of a FAULT condition, the bq2420x reduces the current to $I_{(DETECT)}$. $I_{(DETECT)}$ is used to detect a battery replacement condition. Fault condition is cleared by POR or battery replacement.

APPLICATION INFORMATION**battery charge current**

Following a successful pre-conditioning, the bq2420x relies on an external current-limited supply to limit the charge current to the cell. The bq2420x continues this phase until the battery reaches the voltage regulation phase.

During this phase (and all other phases of operation) in order to protect the integrated powerFET, the internal short circuit and thermal protection circuits are active.

battery voltage regulation

The voltage regulation feedback is through the BAT pin. This input is tied directly to the positive side of the battery pack. The bq2420x monitors the battery-pack voltage between the BAT and VSS pins. The bq2420x is offered in two fixed-voltage versions: 4.1 V and 4.2 V.

As a safety backup, the bq2420x also monitors the charge time in the voltage regulation mode. If taper current is not detected within this time period, $t_{(CHG)}$, the bq2420x turns off the charger and enunciates FAULT on the STAT pin. Fault condition is cleared by POR or battery replacement. Note that the safety timer is reset if the bq2420x is forced out of the voltage regulation mode.

charge termination and recharge

The bq2420x monitors the charging current during the voltage regulation phase. Once the taper threshold, $I_{(TAPER)}$, is detected the bq2420x initiates the taper timer, $t_{(TAPER)}$. Charge is terminated after the timer expires. The bq2420x resets the taper timer in the event that the charge current returns above the taper threshold, $I_{(TAPER)}$.

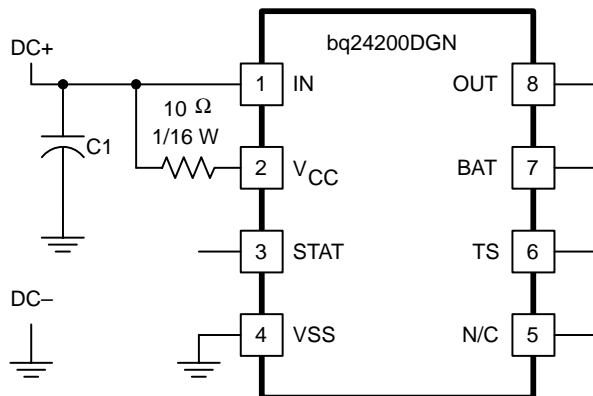
In addition to the taper current detection, the bq2420x terminates charge in the event that the charge current falls below the $I_{(TERM)}$ threshold. This feature allows for quick recognition of a battery removal condition.

After a charge termination, the bq2420x restarts the charge once the voltage on the BAT pin falls below the $V_{(RCH)}$ threshold. This feature keeps the battery at full capacity at all times.

sleep mode

The bq2420x enters the low-power sleep mode if the V_{CC} is removed from the circuit (i.e. the V_{CC} and IN pins are floating). For applications where these pins are not floating, placing a low-power 10 Ω (1/16 W) between the IN and VCC pins ensures the $V_{(SLP)}$ conditions are met (see Figure 9). This feature prevents draining the battery during the absence of V_{CC} .

APPLICATION INFORMATION



UDG-01110

Figure 9. Sleep Mode

charge enable pin

The \overline{CE} pin on bq24202, bq24203, bq24204 and bq24205 can be used to enable or suspend the charge. Charge is enabled if the voltage $V_{IL(CE)}$ is applied to the pin. Applying the $V_{IH(CE)}$ suspends the charge. During a charge suspend mode, the internal powerFET is turned off and all timers are reset.

charge status output

The STAT pin on the bq2420x, indicates various conditions of operation. These conditions are summarized in Table 1.

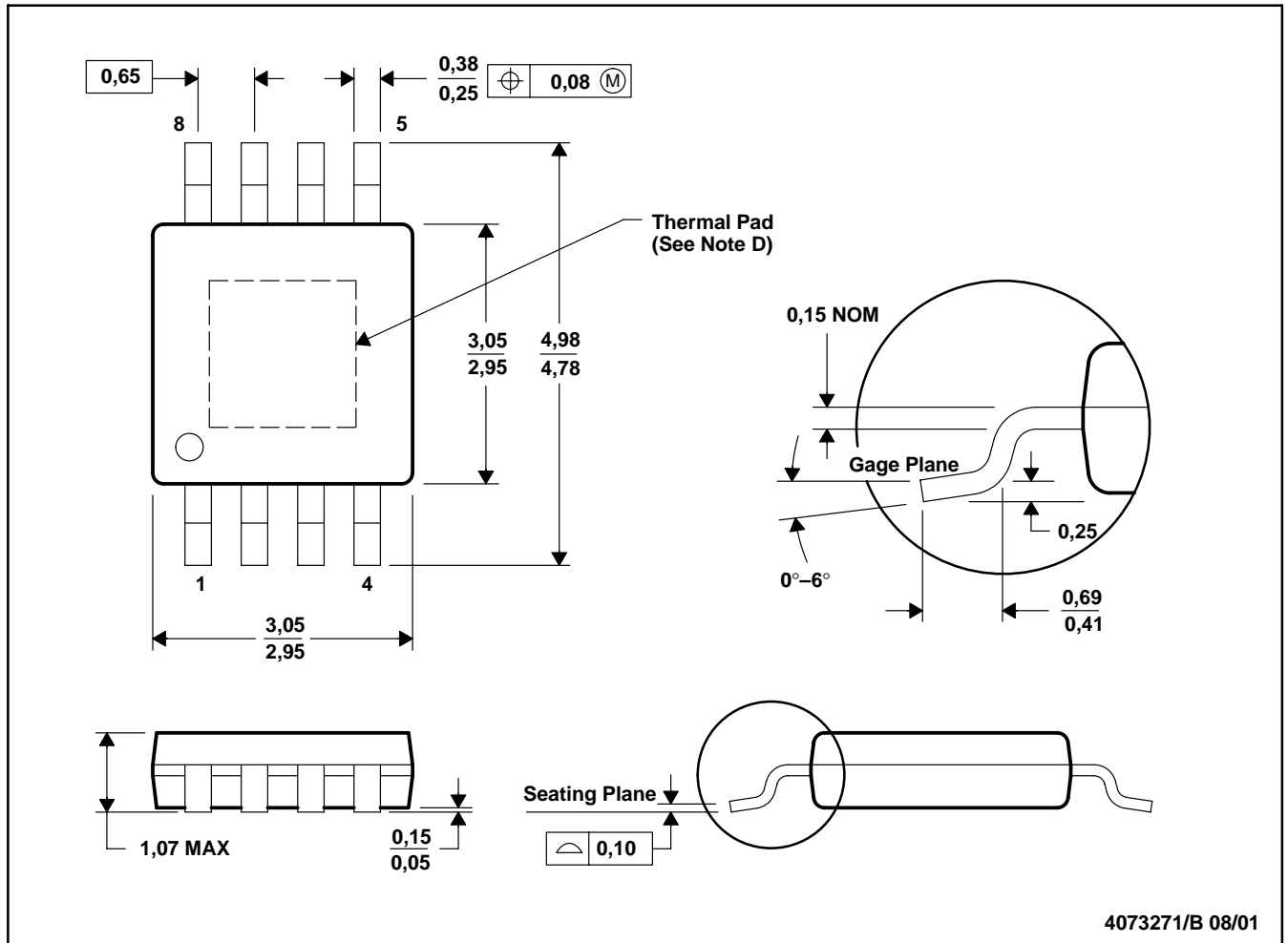
Table 1. STAT Pin

| Condition | STAT |
|---|------|
| Pre-charge | High |
| Fast-charge | High |
| Charge-complete | Low |
| Taper timer done | Low |
| Charge suspend (due to temperature or CE input) | Hi-Z |
| Thermal shutdown | Hi-Z |
| Pre-charge timer fault | Hi-Z |
| Sleep mode | Hi-Z |
| Charge timer fault | Hi-Z |

PACKAGING INFORMATION

DGN (S-PDSO-G8)

PowerPAD™ PLASTIC SMALL-OUTLINE PACKAGE



- NOTES:
- All linear dimensions are in millimeters.
 - This drawing is subject to change without notice.
 - Body dimensions include mold flash or protrusions.
 - The package thermal performance may be enhanced by attaching an external heat sink to the thermal plane. This pad is electrically and thermally connected to the backside of the die and possibly selected leads.
 - Falls within JEDEC MO-187

IMPORTANT NOTICE

Texas Instruments Incorporated and its subsidiaries (TI) reserve the right to make corrections, modifications, enhancements, improvements, and other changes to its products and services at any time and to discontinue any product or service without notice. Customers should obtain the latest relevant information before placing orders and should verify that such information is current and complete. All products are sold subject to TI's terms and conditions of sale supplied at the time of order acknowledgment.

TI warrants performance of its hardware products to the specifications applicable at the time of sale in accordance with TI's standard warranty. Testing and other quality control techniques are used to the extent TI deems necessary to support this warranty. Except where mandated by government requirements, testing of all parameters of each product is not necessarily performed.

TI assumes no liability for applications assistance or customer product design. Customers are responsible for their products and applications using TI components. To minimize the risks associated with customer products and applications, customers should provide adequate design and operating safeguards.

TI does not warrant or represent that any license, either express or implied, is granted under any TI patent right, copyright, mask work right, or other TI intellectual property right relating to any combination, machine, or process in which TI products or services are used. Information published by TI regarding third-party products or services does not constitute a license from TI to use such products or services or a warranty or endorsement thereof. Use of such information may require a license from a third party under the patents or other intellectual property of the third party, or a license from TI under the patents or other intellectual property of TI.

Reproduction of information in TI data books or data sheets is permissible only if reproduction is without alteration and is accompanied by all associated warranties, conditions, limitations, and notices. Reproduction of this information with alteration is an unfair and deceptive business practice. TI is not responsible or liable for such altered documentation.

Resale of TI products or services with statements different from or beyond the parameters stated by TI for that product or service voids all express and any implied warranties for the associated TI product or service and is an unfair and deceptive business practice. TI is not responsible or liable for any such statements.

Mailing Address:

Texas Instruments
Post Office Box 655303
Dallas, Texas 75265