

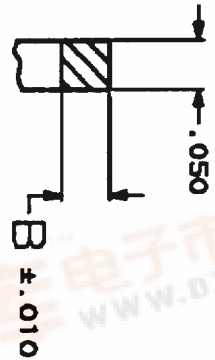
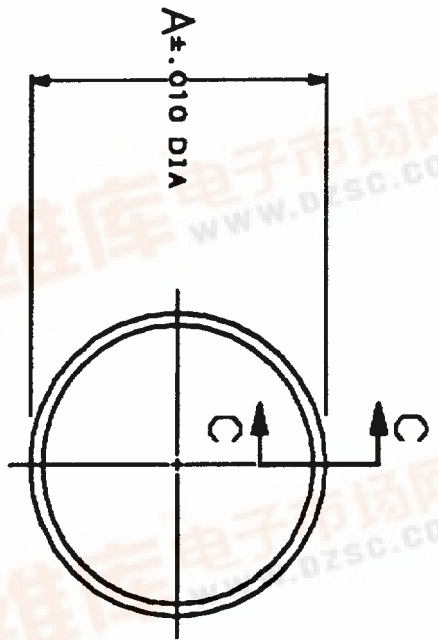
查询"206403"供应商

59-2357
33970
382

THIS DRAWING IS UNQUALIFIED. RELEASED FOR PUBLICATION
BY AMP INCORPORATED, ALL INTERNATIONAL RIGHTS RESERVED. '18

NO	REV	DATE	BY	APP
4	BD	35		

REV	DATE	BY	APP
G	REDRAWN, REVISED PER ECN B04590	2-13-91	KB
H	REV PER ECN B05503	11/21/91	KB
J	REV PER ECN B05870	01/27/92	KB
J1	RLSE -S NPR 5014 WAS 93-5029-21	01/28/92	AF



SECTION C-C
SCALE B,1

SIZE	THICKNESS	OD	SHIELD SIZE	PART NUMBER
A	1.262	.050	32	206403-5
B	.650	.041	13	206403-4
C	1.230	.050	23	206403-3
D	.875	.050	17	206403-2
E	.524	.041	11	206403-1

DO NOT SCALE DRAWING. DIMENSIONS SHOWN IN INCHES UNLESS OTHERWISE SPECIFIED. TYPICAL.

ELASTOMER, GRAY

AMP AMP Incorporated
Harrisburg, PA 17105-3608

SEAL, PERIPHERAL, CPC

00779 206403

2:1 1:1

CUSTOMER DRAWING

