

## Silicon NPN Power Transistors

2SC1002

**DESCRIPTION**

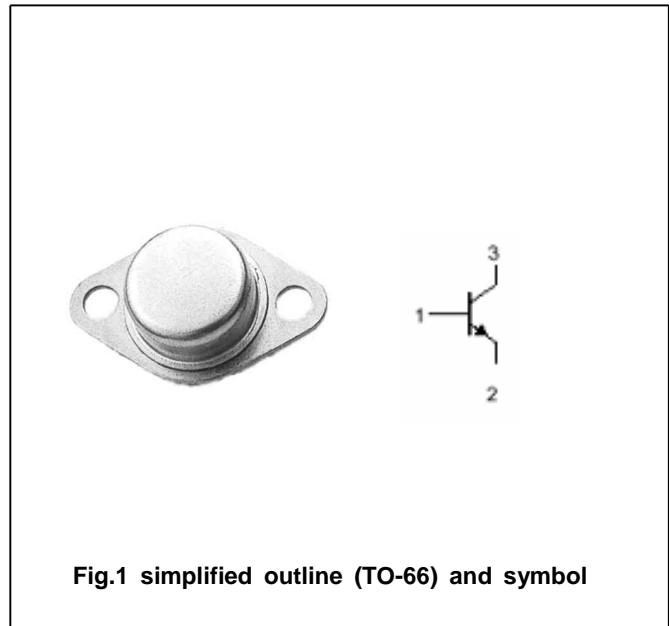
- With TO-66 package
- High voltage
- High transition frequency

**APPLICATIONS**

- For color TV video output applications

**PINNING (See Fig.2)**

PIN	DESCRIPTION
1	Base
2	Emitter
3	Collector

**Absolute maximum ratings(Ta=25?)**

SYMBOL	PARAMETER	CONDITIONS	VALUE	UNIT
$V_{CBO}$	Collector-base voltage	Open emitter	300	V
$V_{CEO}$	Collector-emitter voltage	Open base	300	V
$V_{EBO}$	Emitter-base voltage	Open collector	5	V
$I_C$	Collector current		50	mA
$P_T$	Total power dissipation	$T_C=25?$	11	W
$T_j$	Junction temperature		150	?
$T_{stg}$	Storage temperature		-55~150	?

**Silicon NPN Power Transistors****2SC1002****CHARACTERISTICS**T<sub>j</sub>=25° unless otherwise specified

SYMBOL	PARAMETER	CONDITIONS	MIN	TYP.	MAX	UNIT
V <sub>CEO(SUS)</sub>	Collector-emitter sustaining voltage	I <sub>C</sub> =0.1mA; I <sub>B</sub> =0	300			V
V <sub>(BR)EBO</sub>	Emitter-base breakdown voltage	I <sub>E</sub> =1μA; I <sub>C</sub> =0	5			V
V <sub>CEsat</sub>	Collector-emitter saturation voltage	I <sub>C</sub> =20mA; I <sub>B</sub> =2mA			1.0	V
V <sub>BEsat</sub>	Base-emitter saturation voltage	I <sub>C</sub> =20mA; I <sub>B</sub> =2mA			1.5	V
I <sub>CEO</sub>	Collector cut-off current	V <sub>CE</sub> =200V; I <sub>B</sub> =0			1	μA
I <sub>EBO</sub>	Emitter cut-off current	V <sub>EB</sub> =5V; I <sub>C</sub> =0			1	μA
h <sub>FE</sub>	DC current gain	I <sub>C</sub> =10mA; V <sub>CE</sub> =10V	40		200	
f <sub>T</sub>	Transition frequency	I <sub>C</sub> =10mA; V <sub>CE</sub> =20V	60			MHz

PACKAGE OUTLINE

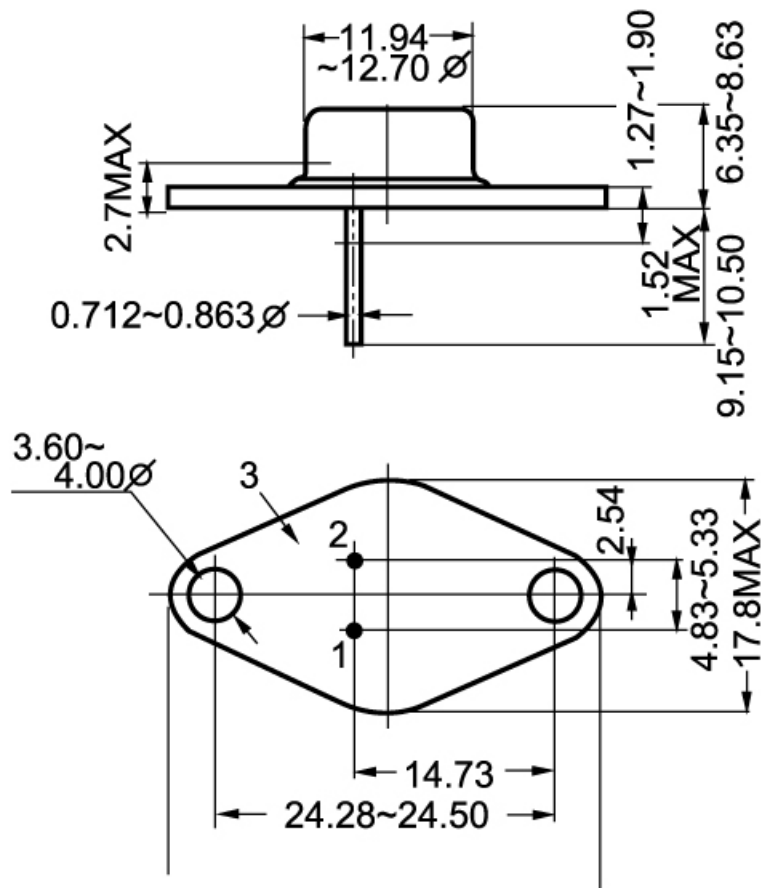


Fig.2 Outline dimensions