

2 In 1 2.50mm AUDIO/DATA JACK

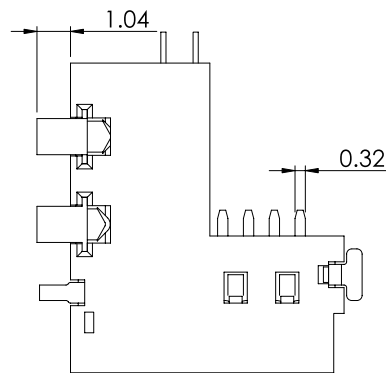
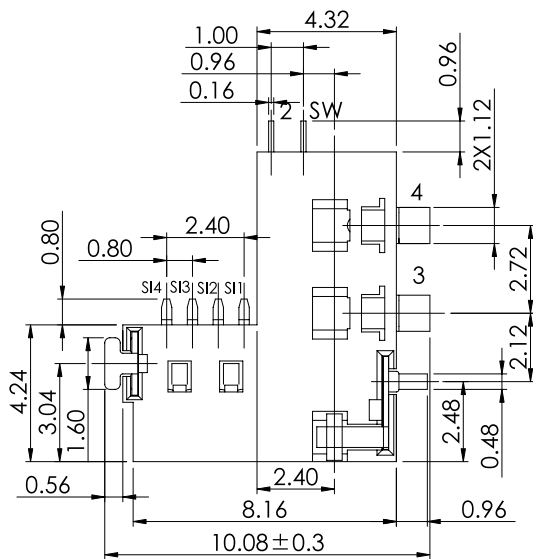
[查询"010220FB"供应商](#)



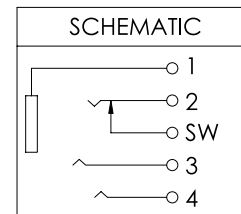
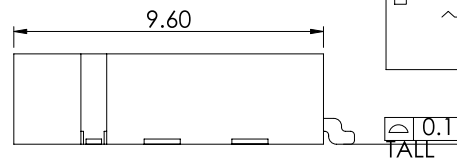
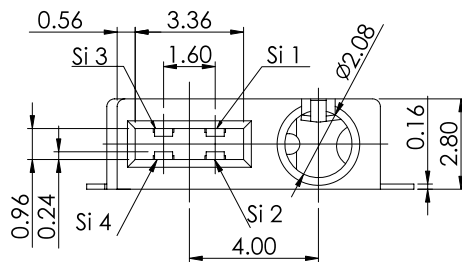
010220FB Series

Specifications:

- **Insulator Material** : Black High Temp. Plastic
- **Operating Type Range** : -40°C TO +105°C
- **Terminal Material** : Phos. Bronze
- **Platings** : Contact-Selective Gold
Plated or Full Gold Plated
- **Max. Current Rating** : 1.5A
- **Max. Voltage Rating** : 115V AC
- **Dielectric Strength** : 500V AC For 60 Seconds



BOTTOM SIDE



Mobile

AUDIO JACK

Order Information

010220FB009□□00ZL
1 2 3 4 5

1. 'B' : Right Angle SMT Type
 2. No. of pins.
 3. Plating
 4. Color 'Z' : Black
 5. Package
- 'L' : Reel Package Without Cap
Reference Page 11

Recommended P.C.B Layout

