

查询"CTGS54-221K"供应商

CTGS54 Series

From 1.0 μH to 220 μH

ENGINEERING KIT #7



CHARACTERISTICS

Description: SMD power inductor

Applications: VTR power supplies, OA equipment, LCD televisions, PC notebooks, portable communication equipment, DC/DC converters

Operating Temperature: -30°C to +100°C

Inductance Tolerance: $\pm 10\%$, $\pm 15\%$, $\pm 20\%$

Testing: Inductance is tested on an HP4284A or HP4285A at specified frequency

Packaging: Tape & Reel

Marking: Marked with inductance code

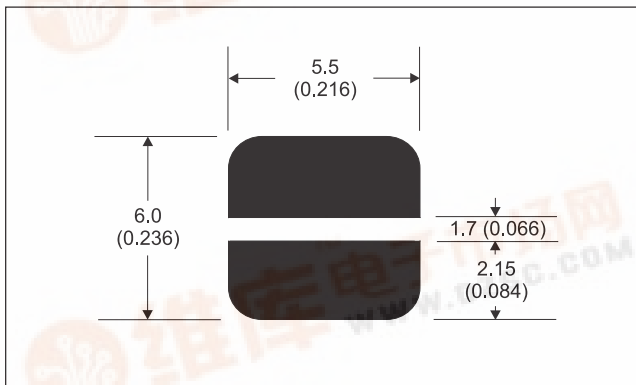
Rated DC: The value of current when the inductance is 10% lower than its initial value at 0 Adc or D.C. current when at $\Delta T = 40^\circ\text{C}$ whichever is lower

Miscellaneous: RoHS Compliant available

Additional Information: Additional electrical & physical information available upon request

Samples available. See website for ordering information.

PAD LAYOUT



SPECIFICATIONS

Part numbers indicate tolerance available.

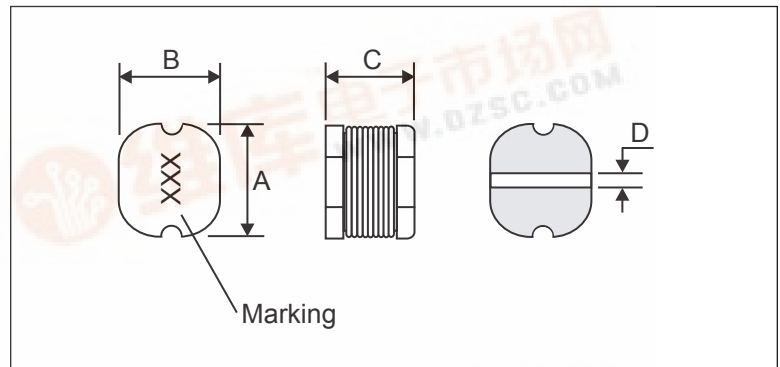
K = $\pm 10\%$, L = $\pm 15\%$, M = $\pm 20\%$

CTGS54E Please specify "F" for RoHS Compliant

Part Number	Inductance (μH)	L Test Freq. (Hz)	DCR Max. (Ω)	Rated DC (A)
CTGS54_-1R0M	1.0	7.96M	.015	5.9
CTGS54_-1R2M	1.2	7.96M	.020	5.2
CTGS54_-1R5M	1.5	7.96M	.025	4.7
CTGS54_-1R8M	1.8	7.96M	.030	4.0
CTGS54_-2R2M	2.2	7.96M	.035	3.8
CTGS54_-2R7M	2.7	7.96M	.040	3.4
CTGS54_-3R3M	3.3	7.96M	.045	3.3
CTGS54_-3R9M	3.9	7.96M	.050	2.9
CTGS54_-4R7M	4.7	7.96M	.060	2.8
CTGS54_-5R6M	5.6	7.96M	.070	2.4
CTGS54_-6R8M	6.8	7.96M	.080	2.1
CTGS54_-8R2M	8.2	7.96M	.090	2.0
CTGS54_-100M	10	2.52M	.10	1.4
CTGS54_-120M	12	2.52M	.12	1.4
CTGS54_-150M	15	2.52M	.14	1.3
CTGS54_-180M	18	2.52M	.15	1.2
CTGS54_-220M	22	2.52M	.18	1.1
CTGS54_-270M	27	2.52M	.20	.97
CTGS54_-330L	33	2.52M	.23	.88
CTGS54_-390L	39	2.52M	.32	.80
CTGS54_-470L	47	2.52M	.37	.72
CTGS54_-560K	56	2.52M	.42	.68
CTGS54_-680K	68	2.52M	.46	.61
CTGS54_-820K	82	2.52M	.60	.58
CTGS54_-101K	100	1.0k	.70	.52
CTGS54_-121K	120	1.0k	.93	.48
CTGS54_-151K	150	1.0k	1.1	.40
CTGS54_-181K	180	1.0k	1.4	.38
CTGS54_-221K	220	1.0k	1.6	.35

PHYSICAL DIMENSIONS

Size	A	B	C	D
mm	5.8 \pm 0.3	5.2 \pm 0.3	4.5 \pm 0.4	1.3
inches	0.23 \pm 0.012	0.21 \pm 0.012	0.18 \pm 0.016	0.051



10.19.05

Manufacturer of Inductors, Chokes, Coils, Beads, Transformers & Toroids

800-684-5322 Inside US 949-453-1811 Outside US

Copyright © 2005 by CT Magnetics, DBA Central Technologies. All rights reserved.

CT Magnetics reserves the right to make improvements or change specifications without notice

