



FEATURES

- RoHS compliant
- Radial format
- Up to 16.2A Ioc
- 1.0µH to 1.0mH
- Low DC resistance
- PCB mounting
- Fully tinned leads
- Compatible with RoHS soldering systems
- Backward compatible with Sn/Pb soldering systems
- Custom parts available

DESCRIPTION

The 1500 Series is a general purpose range of inductors suitable for low to medium current applications such as power supply and other general purpose filtering designs. The central hole allows mechanical fixing with a non-magnetic screw.

SELECTION GUIDE

| Order Code | Inductance, (10kHz, 0.1VAc) | DC Current ¹ | DC Resistance | Q @ f kHz | | SRF | Lead Dimensions (See Package Specifications) | |
|------------|--------------------------------|-------------------------|------------------|-----------|------|------|--|--------|
| | ± 10% | Max. | Max. | Nom. | | Nom. | Dim. A | Dim. B |
| | µH | A | Ω | Q | f | MHz | mm | mm |
| 15102C | 1.0 ± 20% | 16.2 | 2.76 | 151 | 1000 | 142 | 1.18 | 13.6 |
| 15152C | 1.5 ± 20% | 14.9 | 3.48 | 155 | 1000 | 108 | 1.18 | 13.6 |
| 15222C | 2.2 ± 20% | 15.0 | 4.20 | 127 | 1000 | 82 | 1.18 | 13.6 |
| 15332C | 3.3 ± 20% | 11.8 | 5.76 | 128 | 1000 | 68 | 1.18 | 13.6 |
| 15472C | 4.7 ± 20% | 11.7 | 6.48 | 131 | 1000 | 60 | 1.18 | 13.6 |
| 15682C | 6.8 ± 20% | 10.2 | 8.04 | 133 | 1000 | 46 | 1.18 | 14.0 |
| 15103C | 10 | 9.01 | 10.6 | 112 | 1000 | 30 | 1.18 | 14.5 |
| 15153C | 15 | 7.44 | 15.5 | 109 | 1000 | 19 | 1.06 | 14.2 |
| 15223C | 22 | 6.80 | 18.8 | 102 | 1000 | 11 | 1.06 | 13.6 |
| 15333C | 33 | 5.08 | 31.2 | 107 | 1000 | 8 | 0.90 | 13.8 |
| 15473C | 47 | 4.04 | 45.6 | 104 | 1000 | 5 | 0.80 | 14.2 |
| 15683C | 68 | 3.33 | 70.3 | 100 | 1000 | 4 | 0.71 | 13.6 |
| 15104C | 100 | 2.62 | 110 | 89 | 1000 | 3 | 0.63 | 13.8 |
| 15154C | 150 | 2.28 | 149 | 126 | 800 | 2 | 0.60 | 13.6 |
| 15224C | 220 | 2.08 | 185 | 69 | 20 | 2 | 0.60 | 14.0 |
| 15334C | 330 | 1.71 | 263 | 68 | 20 | 1.6 | 0.56 | 13.8 |
| 15474C | 470 | 1.40 | 389 | 76 | 20 | 1.3 | 0.50 | 14.2 |
| 15684C | 680 | 1.12 | 574 | 86 | 25 | 1.0 | 0.45 | 14.0 |
| 15105C | 1000 | 0.91 | 887 | 96 | 30 | 0.8 | 0.40 | 13.6 |

ABSOLUTE MAXIMUM RATINGS

| | |
|--------------------------------------|-----------------|
| Operating free air temperature range | -40°C to +85°C |
| Storage temperature range | -40°C to +125°C |

SOLDERING INFORMATION²

| | |
|------------------------------|----------------------|
| Peak wave solder temperature | 260°C for 10 seconds |
| Pin finish | Pure tin dip |

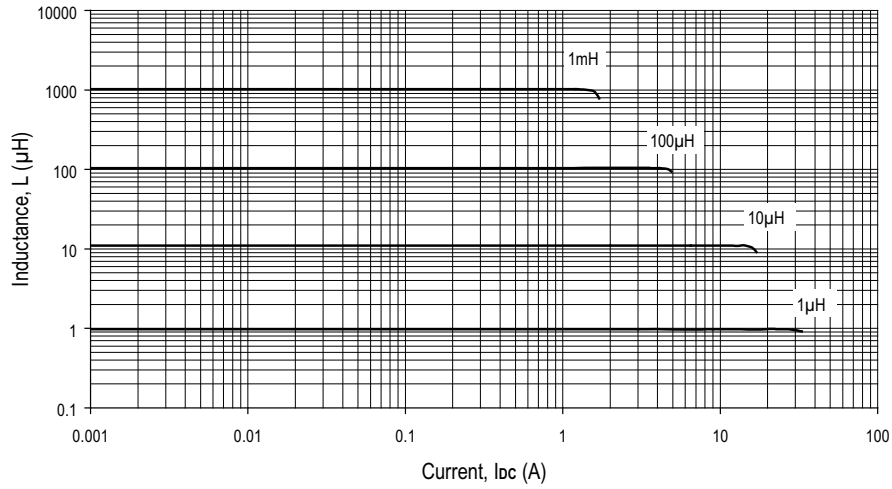
All specifications typical at T_A=25°C

- 1 Maximum DC current occurs when either the inductance falls to 75% of its nominal value or when its temperature rise reaches 40°C, whichever is sooner.
- 2 For further information, please visit www.murata-ps.com/rohs

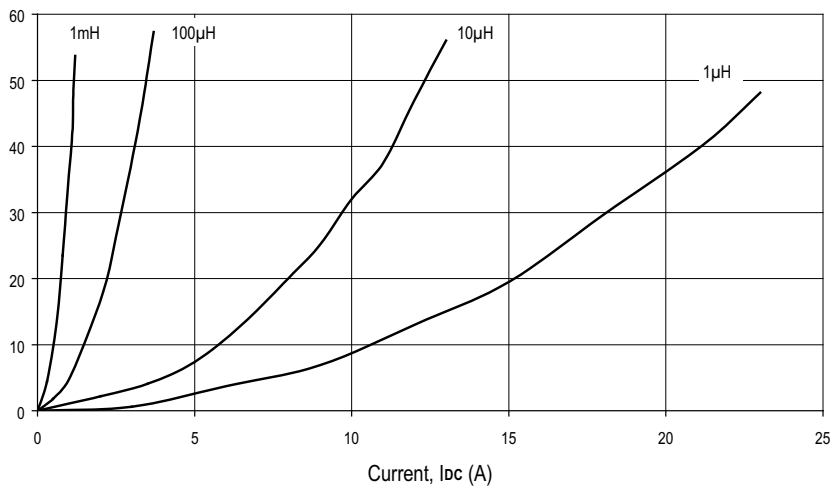


For full details go to
www.murata-ps.com/rohs

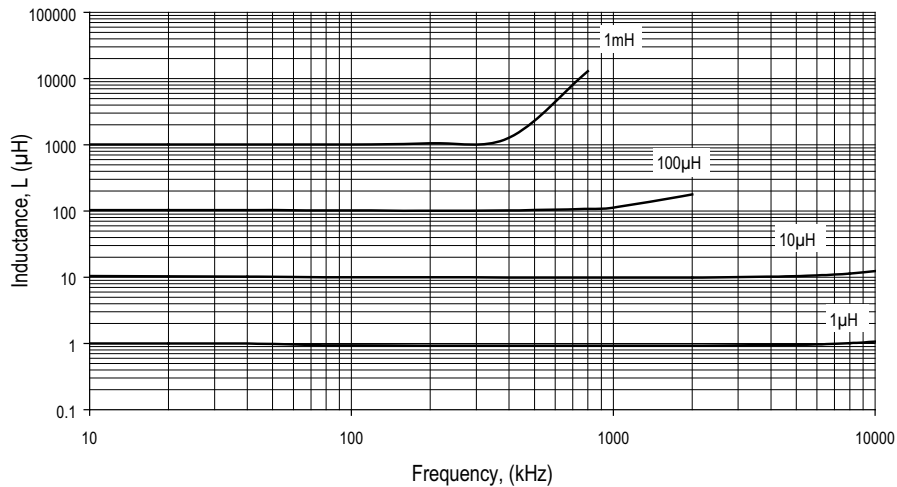
INDUCTANCE Vs CURRENT



TEMPERATURE Vs CURRENT

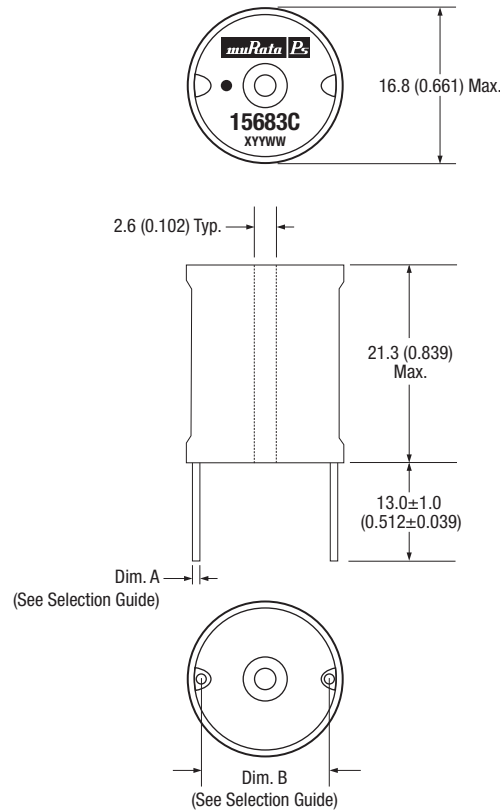


INDUCTANCE Vs FREQUENCY



PACKAGE SPECIFICATIONS

MECHANICAL DIMENSIONS



All dimensions in mm (inches). Package weight 13-18g Typ.
 Dot signifies the innermost turn of the winding.

PACKAGING DETAILS

Supplied in cartons (40 pieces per carton)

Murata Power Solutions, Inc.
 11 Cabot Boulevard, Mansfield, MA 02048-1151 U.S.A.
 Tel: (508) 339-3000 (800) 233-2765 Fax: (508) 339-6356
www.murata-ps.com email: sales@murata-ps.com ISO 9001 REGISTERED

Murata Power Solutions, Inc. makes no representation that the use of its products in the circuits described herein, or the use of other technical information contained herein, will not infringe upon existing or future patent rights. The descriptions contained herein do not imply the granting of licenses to make, use, or sell equipment constructed in accordance therewith. Specifications are subject to change without notice.
 © 2008 Murata Power Solutions, Inc.

- USA:** Mansfield (MA), Tel: (800) 233 2765, email: sales@murata-ps.com
- Canada:** Toronto, Tel: (866) 740 1232, email: toronto@murata-ps.com
- UK:** Milton Keynes, Tel: +44 (0)1908 615232, email: mk@murata-ps.com
- France:** Montigny Le Bretonneux, Tel: +33 (0)1 34 60 01 01, email: france@murata-ps.com
- Germany:** München, Tel: +49 (0)89-544334-0, email: munich@murata-ps.com
- Japan:** Tokyo, Tel: 3-3779-1031, email: sales_tokyo@murata-ps.com
 Osaka, Tel: 6-6354-2025, email: sales_osaka@murata-ps.com
Website: www.murata-ps.jp
- China:** Shanghai, Tel: +86 215 027 3678, email: shanghai@murata-ps.com
 Guangzhou, Tel: +86 208 221 8066, email: guangzhou@murata-ps.com