

# BNC Fixed Coaxial Attenuators

## dc – 4 GHz

**3282 Series**

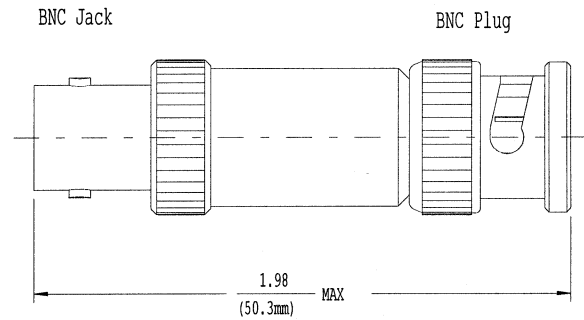
V2.00

### Features

- BNC Connectors
- Rugged Construction
- Precision Operation

### Description

These attenuators come standard with type BNC connectors and are built using the same high quality construction and fabrication techniques as our high frequency units.



### Ordering Information

Part Number Plug-Jack	Frequency (GHz)	Attenuation (dB)	VSWR
3282-6171-01 thru 20, 30	dc-4	1 to 20, 30 ±0.50 Max	dc to 4 GHz, 1.25

**Power:** 2 Watts average, 500 Watts peak.

**Finish:** Nickel Plated Brass.

**Weight:** 1.2 oz (34g)