



查询"50PT1150AX"供应商

P/N: 50PT1150AX DATA SHEET

Feature



- Compliant with IEEE 802.3 E and ANSI X3.263 standards including 350uH OCL with 8mA Bias.
- Symmetrical TX and RX channels for Auto MDI/MDIX capability.
- Operating temperature range : 0°C to +70°C .
- Storage temperature range: -25°C to +105°C .

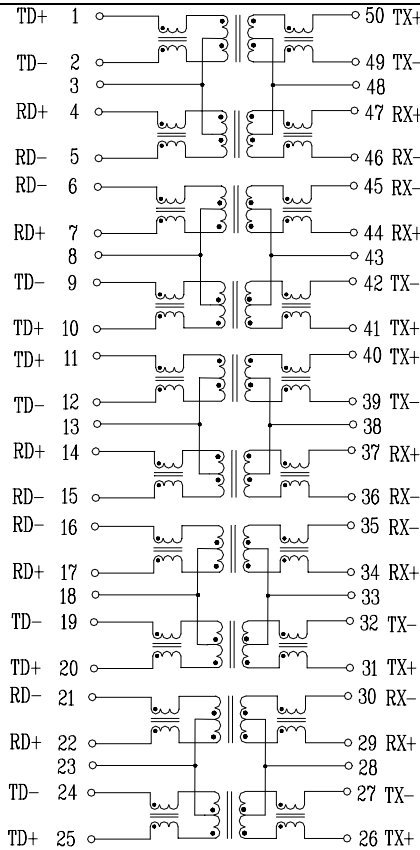
Electrical Specifications @ 25°C

Part Number	Turns Ratio (±5%)		OCL(uH Min) @100KHz/0.1V with 8mA DC Bias	Cross talk (dB Min) 0.3-100MHz	HI-POT (Vrms) 1500
	TX	RX			
50PT1150AX	1CT:1CT	1CT:1CT	350	-35	1500

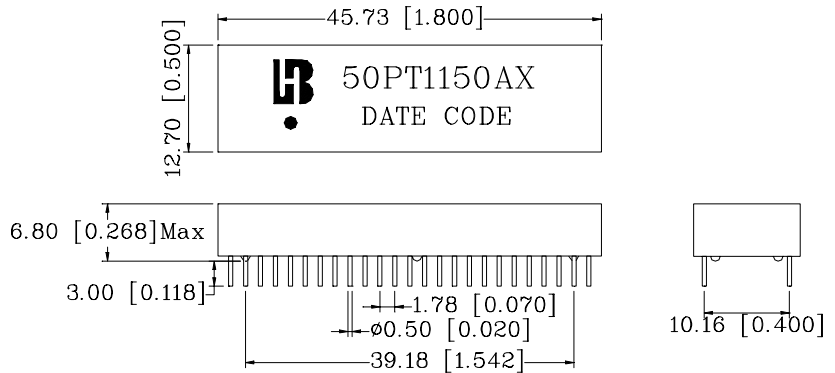
Continue

Part Number	Insertion Loss (dB Max) 0.1-100MHz	Return Loss (dB Min)				DCMR (dB Min) 0.3-100MHz
		2-3MHz	40MHz	50MHz	60-80MHz	
50PT1150AX	-1.0	-18	-14.4	-13.1	-12	-30

Schematic



Mechanical



Units: mm [Inches] Tolerance: xx.x0±0.25 [0.010]
0.xx±0.05 [0.002]